



Intel® MAX® 10 FPGA Configuration User Guide



Contents

- 1. Intel® MAX® 10 FPGA Configuration Overview..... 4**
- 2. Intel MAX 10 FPGA Configuration Schemes and Features.....5**
 - 2.1. Configuration Schemes.....5
 - 2.1.1. JTAG Configuration..... 5
 - 2.1.2. Internal Configuration..... 6
 - 2.2. Configuration Features.....13
 - 2.2.1. Remote System Upgrade.....13
 - 2.2.2. Configuration Design Security.....20
 - 2.2.3. SEU Mitigation and Configuration Error Detection..... 23
 - 2.2.4. Configuration Data Compression..... 27
 - 2.3. Configuration Details..... 28
 - 2.3.1. Configuration Sequence..... 28
 - 2.3.2. Intel MAX 10 Configuration Pins..... 31
- 3. Intel MAX 10 FPGA Configuration Design Guidelines..... 32**
 - 3.1. Dual-Purpose Configuration Pins..... 32
 - 3.1.1. Guidelines: Dual-Purpose Configuration Pin..... 32
 - 3.1.2. Enabling Dual-purpose Pin..... 33
 - 3.2. Configuring Intel MAX 10 Devices using JTAG Configuration..... 33
 - 3.2.1. Auto-Generating Configuration Files for Third-Party Programming Tools..... 34
 - 3.2.2. Generating Third-Party Programming Files using Intel Quartus Prime Programmer..... 34
 - 3.2.3. JTAG Configuration Setup.....35
 - 3.2.4. ICB Settings in JTAG Configuration..... 36
 - 3.3. Configuring Intel MAX 10 Devices using Internal Configuration..... 37
 - 3.3.1. Selecting Internal Configuration Modes..... 37
 - 3.3.2. .pof and ICB Settings..... 37
 - 3.3.3. Programming .pof into Internal Flash..... 40
 - 3.4. Implementing ISP Clamp in Intel Quartus Prime Software..... 41
 - 3.4.1. Creating IPS File..... 41
 - 3.4.2. Executing IPS File..... 42
 - 3.5. Accessing Remote System Upgrade through User Logic..... 42
 - 3.6. Error Detection..... 43
 - 3.6.1. Verifying Error Detection Functionality..... 43
 - 3.6.2. Enabling Error Detection..... 44
 - 3.6.3. Accessing Error Detection Block Through User Logic..... 45
 - 3.7. Enabling Data Compression..... 47
 - 3.7.1. Enabling Compression Before Design Compilation..... 47
 - 3.7.2. Enabling Compression After Design Compilation..... 47
 - 3.8. AES Encryption..... 48
 - 3.8.1. Generating .ekp File and Encrypt Configuration File..... 48
 - 3.8.2. Generating .jam/.jbc/.svf file from .ekp file..... 49
 - 3.8.3. Programming .ekp File and Encrypted POF File..... 50
 - 3.8.4. Encryption in Internal Configuration..... 51
 - 3.9. Intel MAX 10 JTAG Secure Design Example..... 53
 - 3.9.1. Internal JTAG Interface..... 53
 - 3.9.2. WYSIWYG Atom for Internal JTAG Block Access..... 54



- 3.9.3. Executing LOCK and UNLOCK JTAG Instructions..... 55
- 3.9.4. Verifying the JTAG Secure Mode..... 57
- 4. Intel MAX 10 FPGA Configuration IP Core Implementation Guides..... 58**
 - 4.1. Altera Unique Chip ID IP Core.....58
 - 4.1.1. Instantiating the Altera Unique Chip ID IP Core..... 58
 - 4.1.2. Resetting the Altera Unique Chip ID IP Core..... 58
 - 4.2. Altera Dual Configuration IP Core..... 59
 - 4.2.1. Instantiating the Altera Dual Configuration IP Core..... 59
- 5. Altera Dual Configuration IP Core References..... 60**
 - 5.1. Altera Dual Configuration IP Core Avalon-MM Address Map..... 60
 - 5.2. Altera Dual Configuration IP Core Parameters..... 61
- 6. Altera Unique Chip ID IP Core References..... 62**
 - 6.1. Altera Unique Chip ID IP Core Ports..... 62
- A. Additional Information for Intel MAX 10 FPGA Configuration User Guide.....63**
 - A.1. Document Revision History for Intel MAX 10 FPGA Configuration User Guide..... 63



1. Intel® MAX® 10 FPGA Configuration Overview

You can configure Intel® MAX® 10 configuration RAM (CRAM) using the following configuration schemes:

- JTAG configuration—using JTAG interface.
- Internal configuration—using internal flash.

Supported Configuration Features

Table 1. Configuration Schemes and Features Supported by Intel MAX 10 Devices

Configuration Scheme	Remote System Upgrade	Compression	Design Security	SEU Mitigation
JTAG configuration	—	—	—	Yes
Internal configuration	Yes	Yes	Yes	Yes

Related IP Cores

- Altera Dual Configuration IP Core—used in the remote system upgrade feature.
- Altera Unique Chip ID IP Core—retrieves the chip ID of Intel MAX 10 devices.

Related Information

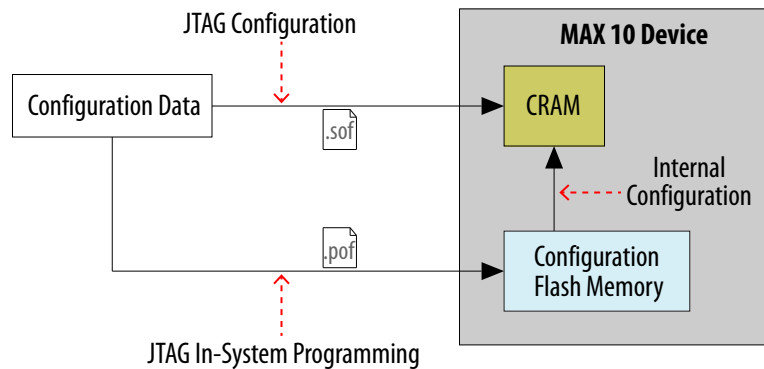
- [Intel MAX 10 FPGA Configuration Schemes and Features](#) on page 5
Provides information about the configuration schemes and features.
- [Intel MAX 10 FPGA Configuration Design Guidelines](#) on page 32
Provides information about using the configuration schemes and features.
- [Altera Unique Chip ID IP Core](#) on page 21
- [Altera Dual Configuration IP Core](#) on page 19



2. Intel MAX 10 FPGA Configuration Schemes and Features

2.1. Configuration Schemes

Figure 1. High-Level Overview of JTAG Configuration and Internal Configuration for Intel MAX 10 Devices



2.1.1. JTAG Configuration

In Intel MAX 10 devices, JTAG instructions take precedence over the internal configuration scheme.

Using the JTAG configuration scheme, you can directly configure the device CRAM through the JTAG interface—TDI, TDO, TMS, and TCK pins. The Intel Quartus® Prime software automatically generates an SRAM Object File (.sof). You can program the .sof using a download cable with the Intel Quartus Prime software programmer.

Related Information

[Configuring Intel MAX 10 Devices using JTAG Configuration](#) on page 33

Provides more information about JTAG configuration using download cable with Intel Quartus Prime software programmer.

2.1.1.1. JTAG Pins

Table 2. JTAG Pin

Pin	Function	Description
TDI	Serial input pin for:	<ul style="list-style-type: none"> TDI is sampled on the rising edge of TCK TDI pins have internal weak pull-up resistors.

continued...



Pin	Function	Description
	<ul style="list-style-type: none"> instructions boundary-scan test (BST) data programming data 	
TDO	Serial output pin for: <ul style="list-style-type: none"> instructions boundary-scan test data programming data 	<ul style="list-style-type: none"> TDO is sampled on the falling edge of TCK The pin is tri-stated if data is not shifted out of the device.
TMS	Input pin that provides the control signal to determine the transitions of the TAP controller state machine.	<ul style="list-style-type: none"> TMS is sampled on the rising edge of TCK TMS pins have internal weak pull-up resistors.
TCK	Clock input to the BST circuitry.	—

All the JTAG pins are powered by the V_{CCIO} 1B. In JTAG mode, the I/O pins support the LVTTTL/LVCMOS 3.3-1.5V standards.

Related Information

- [MAX 10 Device Datasheet](#)
 Provides more information about supported I/O standards in MAX 10 devices.
- [Guidelines: Dual-Purpose Configuration Pin](#) on page 32
- [Enabling Dual-purpose Pin](#) on page 33

2.1.2. Internal Configuration

You need to program the configuration data into the configuration flash memory (CFM) before internal configuration can take place. The configuration data to be written to CFM will be part of the programmer object file (.pof). Using JTAG In-System Programming (ISP), you can program the .pof into the internal flash.

During internal configuration, Intel MAX 10 devices load the CRAM with configuration data from the CFM.

2.1.2.1. Internal Configuration Modes

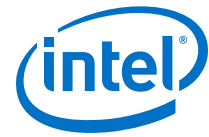
Table 3. Supported Internal Configuration Modes Based on Intel MAX 10 Feature Options

Intel MAX 10 Feature Options	Supported Internal Configuration Mode
Compact	<ul style="list-style-type: none"> Single Compressed Image Single Uncompressed Image
Flash and Analog	<ul style="list-style-type: none"> Dual Compressed Images Single Compressed Image Single Compressed Image with Memory Initialization Single Uncompressed Image Single Uncompressed Image with Memory Initialization

Note: In dual compressed images mode, you can use the CONFIG_SEL pin to select the configuration image.

Related Information

- [Configuring Intel MAX 10 Devices using Internal Configuration](#) on page 37



- [Remote System Upgrade](#) on page 13

2.1.2.2. Configuration Flash Memory

The CFM is a non-volatile internal flash that is used to store configuration images. The CFM may store up to two compressed configuration images, depending on the compression and the Intel MAX 10 devices. The compression ratio for the configuration image should be at least 30% for the device to be able to store two configuration images.

Related Information

[Configuration Flash Memory Permissions](#) on page 23

2.1.2.2.1. Configuration Flash Memory Sectors

All CFM in Intel MAX 10 devices consist of three sectors, CFM0, CFM1, and CFM2 except for the 10M02. The sectors are programmed differently depending on the internal configuration mode you select.

The 10M02 device consists of only CFM0. The CFM0 sector in 10M02 devices is programmed similarly when you select single compressed image or single uncompressed image.

Figure 2. Configuration Flash Memory Sectors Utilization for all Intel MAX 10 with Analog and Flash Feature Options

Unutilized CFM1 and CFM2 sectors can be used for additional user flash memory (UFM).

Internal Configuration Mode	User Flash Memory Sectors		Configuration Flash Memory Sectors		
	UFM1	UFM0	CFM2	CFM1	CFM0
Dual Compressed Image	UFM		Compressed Image 1		Compressed Image 0
Single Uncompressed Image	UFM		Additional UFM	Uncompressed Image 0	
Single Uncompressed Image with Memory Initialization	UFM		Uncompressed Image 0 with Memory Initialization		
Single Compressed Image with Memory Initialization	UFM		Compressed Image 0 with Memory Initialization		
Single Compressed Image	UFM		Additional UFM		Compressed Image 0

Related Information

CFM and UFM Array Size

Provides more information about UFM and CFM sector sizes.



2.1.2.2.2. Configuration Flash Memory Programming Time

Table 4. Configuration Flash Memory Programming Time for Sectors in Intel MAX 10 Devices

Note: The programming time reflects JTAG interface programming time only without any system overhead. It does not reflect the actual programming time that you face. To compensate the system overhead, Intel Quartus Prime Programmer is enhanced to utilize flash parallel mode during device programming for Intel MAX 10 10M04/08/16/25/40/50 devices. The 10M02 device does not support flash parallel mode, you may experience a relatively slow programming time if compare to other device.

Device	In-System Programming Time (s)		
	CFM2	CFM1	CFM0
10M02	—	—	5.4
10M04 and 10M08	6.5	4.6	11.1
10M16	12.0	8.9	20.8
10M25	16.4	12.6	29.0
10M40 and 10M50	30.2	22.7	52.9

2.1.2.3. In-System Programming

You can program the internal flash including the CFM of Intel MAX 10 devices with ISP through industry standard IEEE 1149.1 JTAG interface. ISP offers the capability to program, erase, and verify the CFM. The JTAG circuitry and ISP instructions for Intel MAX 10 devices are compliant to the IEEE-1532-2002 programming specification.

During ISP, the Intel MAX 10 receives the IEEE Std. 1532 instructions, addresses, and data through the TDI input pin. Data is shifted out through the TDO output pin and compared with the expected data.

The following are the generic flow of an ISP operation:

1. Check ID—the JTAG ID is checked before any program or verify process. The time required to read this JTAG ID is relatively small compared to the overall programming time.
2. Enter ISP—ensures the I/O pins transition smoothly from user mode to the ISP mode.
3. Sector Erase—shifting in the address and instruction to erase the device and applying erase pulses.
4. Program—shifting in the address, data, and program instructions and generating the program pulse to program the flash cells. This process is repeated for each address in the internal flash sector.
5. Verify—shifting in addresses, applying the verify instruction to generate the read pulse, and shifting out the data for comparison. This process is repeated for each internal flash address.
6. Exit ISP—ensures that the I/O pins transition smoothly from the ISP mode to the user mode.

You can also use the Intel Quartus Prime Programmer to program the CFM.



Related Information

[Programming .pof into Internal Flash](#) on page 40

Provides the steps to program the .pof using Intel Quartus Prime Programmer.

2.1.2.3.1. ISP Clamp

When a normal ISP operation begins, all I/O pins are tri-stated. For situations when the I/O pins of the device should not be tri-stated when the device is in ISP operation, you can use the ISP clamp feature.

When the ISP clamp feature is used, you can set the I/O pins to tri-state, high, low, or sample and sustain. The Intel Quartus Prime software determines the values to be scanned into the boundary-scan registers of each I/O pin, based on your settings. This will determine the state of the pins to be clamped to when the device programming is in progress.

Before clamping the I/O pins, the `SAMPLE/PRELOAD` JTAG instruction is first executed to load the appropriate values to the boundary-scan registers. After loading the boundary-scan registers with the appropriate values, the `EXTEST` instruction is executed to clamp the I/O pins to the specific values loaded into the boundary-scan registers during `SAMPLE/PRELOAD`.

If you choose to sample the existing state of a pin and hold the pin to that state when the device enters ISP clamp mode, you must ensure that the signal is in steady state. A steady state signal is needed because you cannot control the sample set-up time as it depends on the `TCK` frequency as well as the download cable and software. You might not capture the correct value when sampling a signal that toggles or is not static for long periods of time.

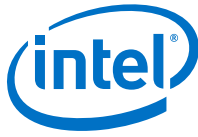
Related Information

[Implementing ISP Clamp in Intel Quartus Prime Software](#) on page 41

2.1.2.3.2. Real-Time ISP

In a normal ISP operation, to update the internal flash with a new design image, the device exits from user mode and all I/O pins remain tri-stated. After the device completes programming the new design image, it resets and enters user mode.

The real-time ISP feature updates the internal flash with a new design image while operating in user mode. During the internal flash programming, the device continues to operate using the existing design. After the new design image programming process completes, the device will not reset. The new design image update only takes effect in the next reconfiguration cycle.



2.1.2.3.3. ISP and Real-Time ISP Instructions

Table 5. ISP and Real-Time ISP Instructions for Intel MAX 10 Devices

Instruction	Instruction Code	Description
CONFIG_IO	00 0000 1101	<ul style="list-style-type: none"> Allows I/O reconfiguration through JTAG ports using the IOCSR for JTAG testing. This is executed after or during configurations. nSTATUS pin must go high before you can issue the CONFIG_IO instruction.
PULSE_NCONFIG	00 0000 0001	Emulates pulsing the nCONFIG pin low to trigger reconfiguration even though the physical pin is unaffected.
ISC_ENABLE_HIZ ⁽¹⁾	10 1100 1100	<ul style="list-style-type: none"> Puts the device in ISP mode, tri-states all I/O pins, and drives all core drivers, logic, and registers. Device remains in the ISP mode until the ISC_DISABLE instruction is loaded and updated. The ISC_ENABLE instruction is a mandatory instruction. This requirement is met by the ISC_ENABLE_CLAMP or ISC_ENABLE_HIZ instruction.
ISC_ENABLE_CLAMP ⁽¹⁾	10 0011 0011	<ul style="list-style-type: none"> Puts the device in ISP mode and forces all I/O pins to follow the contents of the JTAG boundary-scan register. When this instruction is activated, all core drivers, logics, and registers are frozen. The I/O pins remain clamped until the device exits ISP mode successfully.
ISC_DISABLE	10 0000 0001	<ul style="list-style-type: none"> Brings the device out of ISP mode. Successful completion of the ISC_DISABLE instruction happens immediately after waiting 200 μs in the Run-Test/Idle state.
ISC_PROGRAM ⁽²⁾	10 1111 0100	Sets the device up for in-system programming. Programming occurs in the run-test or idle state.
ISC_NOOP ⁽²⁾	10 0001 0000	<ul style="list-style-type: none"> Sets the device to a no-operation mode without leaving the ISP mode and targets the ISC_Default register. Use when: <ul style="list-style-type: none"> two or more ISP-compliant devices are being accessed in ISP mode and; a subset of the devices perform some instructions while other more complex devices are completing extra steps in a given process.
ISC_ADDRESS_SHIFT ⁽²⁾	10 0000 0011	Sets the device up to load the flash address. It targets the ISC_Address register, which is the flash address register.
ISC_ERASE ⁽²⁾	10 1111 0010	<ul style="list-style-type: none"> Sets the device up to erase the internal flash. Issue after ISC_ADDRESS_SHIFT instruction.

continued...

⁽¹⁾ Do not issue the ISC_ENABLE_HIZ and ISC_ENABLE_CLAMP instructions from the core logic.

⁽²⁾ All ISP and real-time ISP instructions are disabled when the device is not in the ISP or real-time ISP mode, except for the enabling and disabling instructions.



Instruction	Instruction Code	Description
ISC_READ ⁽²⁾	10 0000 0101	<ul style="list-style-type: none"> • Sets the device up for verifying the internal flash under normal user bias conditions. • The ISC_READ instruction supports explicit addressing and auto-increment, also known as the Burst mode.
BGP_ENABLE	01 1001 1001	<ul style="list-style-type: none"> • Sets the device to the real-time ISP mode. • Allows access to the internal flash configuration sector while the device is still in user mode.
BGP_DISABLE	01 0110 0110	<ul style="list-style-type: none"> • Brings the device out of the real-time ISP mode. • The device has to exit the real-time ISP mode using the BGP_DISABLE instruction after it is interrupted by reconfiguration.

Caution: Do not use unsupported JTAG instructions. It will put the device into an unknown state and requires a power cycle to recover the operation.

2.1.2.4. Initialization Configuration Bits

Initialization Configuration Bits (ICB) stores the configuration feature settings of the Intel MAX 10 device. You can set the ICB settings in the **Convert Programming File** tool.

Table 6. ICB Values and Descriptions for Intel MAX 10 Devices

Configuration Settings	Description	Default State/ Value
Set I/O to weak pull-up prior usermode	<ul style="list-style-type: none"> • Enable: Sets I/O to weak pull-up during device configuration. • Disable: Tri-states I/O 	Enable
Configure device from CFM0 only.	Enable: <ul style="list-style-type: none"> • CONFIG_SEL pin setting is disabled. • Device automatically loads image 0. • Device does not load image 1 if image 0 fails. Disable: <ul style="list-style-type: none"> • Device automatically loads secondary image if initial image fails. 	Disable
Use secondary image ISP data as default setting when available.	Select ISP data from initial or secondary image to include in the POF. <ul style="list-style-type: none"> • Disable: Use ISP data from initial image • Enable: Use ISP data from secondary image ISP data contains the information about state of the pin during ISP. This can be either tri-state with weak pull-up or clamp the I/O state. You can set the ISP clamp through Device and Pin Option , or Pin Assignment tool.	Disable
Verify Protect	To disable or enable the Verify Protect feature.	Disable
Allow encrypted POF only	If enabled, configuration error will occur if unencrypted .pof is used.	Disable
<i>continued...</i>		



Configuration Settings	Description	Default State/ Value
JTAG Secure ⁽³⁾	To disable or enable the JTAG Secure feature.	Disable
Enable Watchdog	To disable or enable the watchdog timer for remote system upgrade.	Enable
Watchdog value	To set the watchdog timer value for remote system upgrade.	0x1FFF ⁽⁴⁾

Related Information

- [.pof and ICB Settings](#) on page 37
- [Verify Protect](#) on page 22
- [JTAG Secure Mode](#) on page 22
- [ISP and Real-Time ISP Instructions](#) on page 10
- [User Watchdog Timer](#) on page 18
- [Generating .pof using Convert Programming Files](#) on page 39
Provides more information about setting the ICB during .pof generation using Convert Programming File.

2.1.2.5. Internal Configuration Time

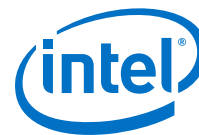
The internal configuration time measurement is from the rising edge of nSTATUS signal to the rising edge of CONF_DONE signal.

Table 7. Internal Configuration Time for Intel MAX 10 Devices (Uncompressed .rbf)

Device	Internal Configuration Time (ms)							
	Unencrypted				Encrypted			
	Without Memory Initialization		With Memory Initialization		Without Memory Initialization		With Memory Initialization	
	Min	Max	Min	Max	Min	Max	Min	Max
10M02	0.3	1.7	—	—	1.7	5.4	—	—
10M04	0.6	2.7	1.0	3.4	5.0	15.0	6.8	19.6
10M08	0.6	2.7	1.0	3.4	5.0	15.0	6.8	19.6
10M16	1.1	3.7	1.4	4.5	9.3	25.3	11.7	31.5
10M25	1.0	3.7	1.3	4.4	14.0	38.1	16.9	45.7
10M40	2.6	6.9	3.2	9.8	41.5	112.1	51.7	139.6
10M50	2.6	6.9	3.2	9.8	41.5	112.1	51.7	139.6

⁽³⁾ The JTAG Secure feature will be disabled by default in Intel Quartus Prime. If you are interested in using the JTAG Secure feature, contact Intel for support.

⁽⁴⁾ The watchdog timer value depends on the Intel MAX 10 you are using. Refer to the Watchdog Timer section for more information.

**Table 8. Internal Configuration Time for Intel MAX 10 Devices (Compressed .rbf)**

Compression ratio depends on design complexity. The minimum value is based on the best case (25% of original .rbf sizes) and the maximum value is based on the typical case (70% of original .rbf sizes).

Device	Internal Configuration Time (ms)			
	Unencrypted/Encrypted			
	Without Memory Initialization		With Memory Initialization	
	Min	Max	Min	Max
10M02	0.3	5.2	—	—
10M04	0.6	10.7	1.0	13.9
10M08	0.6	10.7	1.0	13.9
10M16	1.1	17.9	1.4	22.3
10M25	1.1	26.9	1.4	32.2
10M40	2.6	66.1	3.2	82.2
10M50	2.6	66.1	3.2	82.2

2.2. Configuration Features

2.2.1. Remote System Upgrade

Intel MAX 10 devices support the remote system upgrade feature. By default, the remote system upgrade feature is enabled when you select the dual compressed image internal configuration mode.

The remote system upgrade feature in Intel MAX 10 devices offers the following capabilities:

- Manages remote configuration
- Provides error detection, recovery, and information
- Supports direct-to-application configuration image
- Supports compressed and encrypted .pof

There are two methods to access remote system upgrade in Intel MAX 10 devices:

- Altera Dual Configuration IP core
- User interface

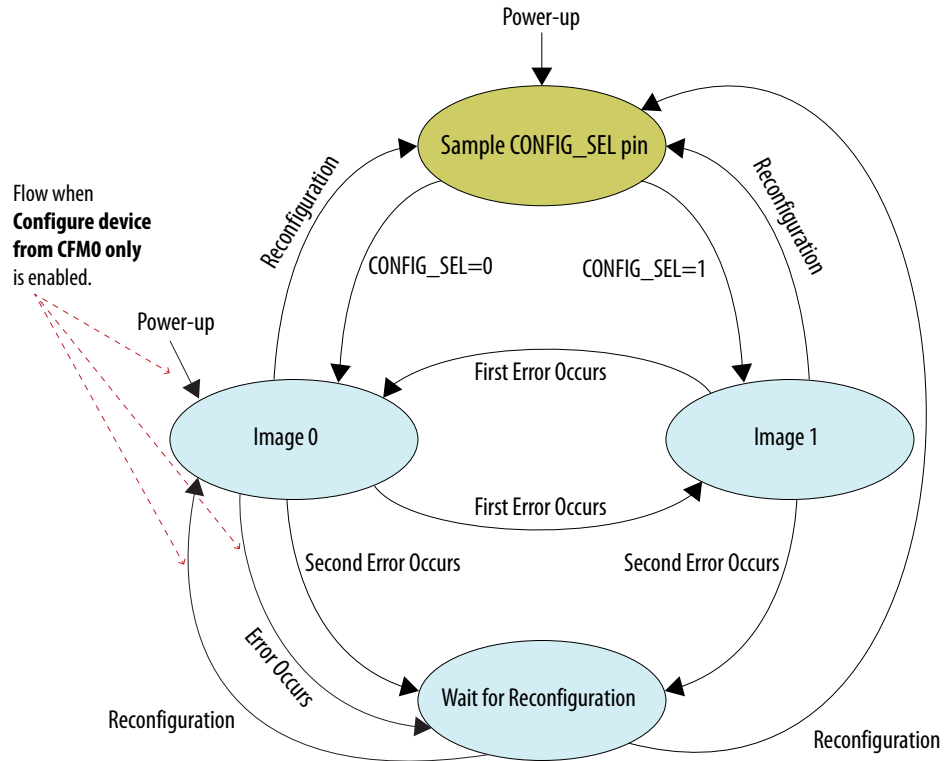
Related Information

- [Altera Dual Configuration IP Core](#) on page 19
- [Accessing Remote System Upgrade through User Logic](#) on page 42
- [AN 741: Remote System Upgrade for MAX 10 FPGA Devices over UART with the Nios II Processor](#)
Provides reference design for remote system upgrade in MAX 10 FPGA devices.
- [I2C Remote System Update Example](#)
This example demonstrates a remote system upgrade using the I2C protocol.

2.2.1.1. Remote System Upgrade Flow

Both the application configuration images, image 0 and image 1, are stored in the CFM. The Intel MAX 10 device loads either one of the application configuration image from the CFM.

Figure 3. Remote System Upgrade Flow for Intel MAX 10 Devices



The remote system upgrade feature detects errors in the following sequence:

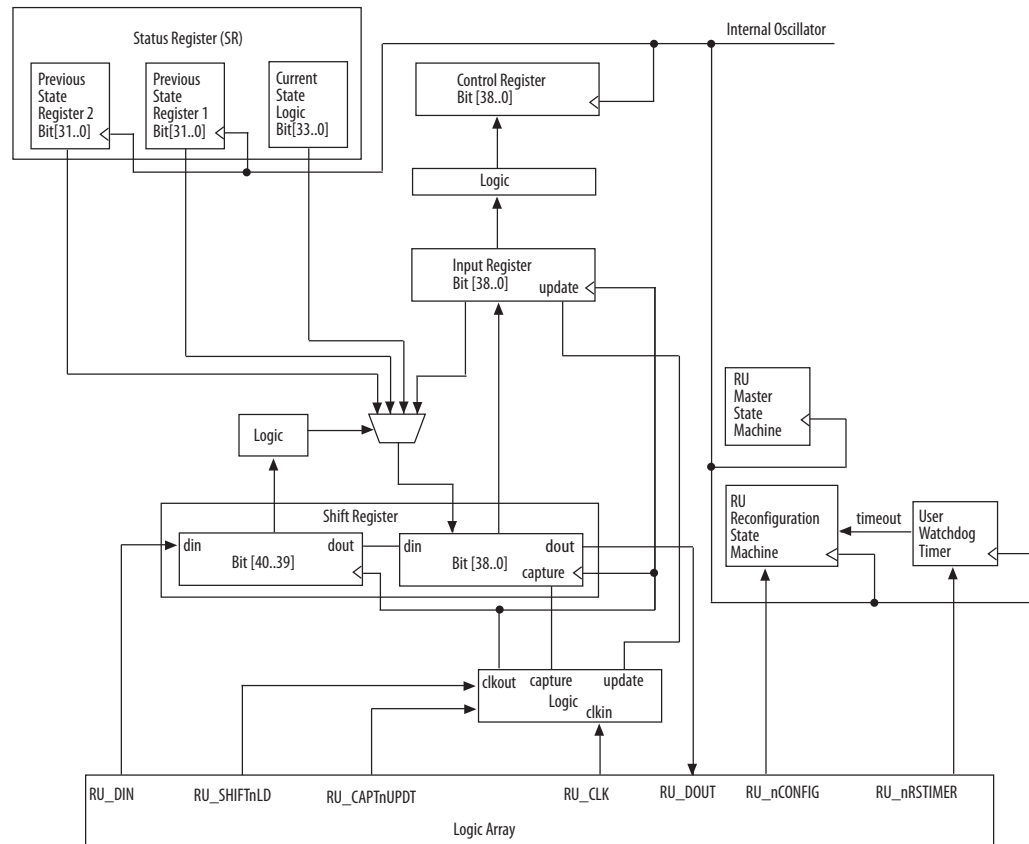
1. After power-up, the device samples the CONFIG_SEL pin to determine which application configuration image to load. The CONFIG_SEL pin setting can be overwritten by the input register of the remote system upgrade circuitry for the subsequent reconfiguration.
2. If an error occurs, the remote system upgrade feature reverts by loading the other application configuration image. These errors cause the remote system upgrade feature to load another application configuration image:
 - Internal CRC error
 - User watchdog timer time-out
3. Once the revert configuration completes and the device is in user mode, you can use the remote system upgrade circuitry to query the cause of error and which application image failed.
4. If a second error occurs, the device waits for a reconfiguration source. If the **Auto-restart configuration after error** is enabled, the device will reconfigure without waiting for any reconfiguration source.
5. Reconfiguration is triggered by the following actions:



- Driving the nSTATUS low externally.
- Driving the nCONFIG low externally.
- Driving RU_nCONFIG low.

2.2.1.2. Remote System Upgrade Circuitry

Figure 4. Remote System Upgrade Circuitry



The remote system upgrade circuitry does the following functions:

- Tracks the current state of configuration
- Monitors all reconfiguration sources
- Provides access to set up the application configuration image
- Returns the device to fallback configuration if an error occurs
- Provides access to the information on the failed application configuration image



2.2.1.2.1. Remote System Upgrade Circuitry Signals

Table 9. Remote System Upgrade Circuitry Signals for Intel MAX 10 Devices

Core Signal Name	Logical Signal Name	Input/Output	Description
RU_DIN	regin	Input	Use this signal to write data to the shift register on the rising edge of RU_CLK. To load data to the shift register, assert RU_SHIFThLD.
RU_DOUT	regout	Output	Use this signal to get output data from the shift register. Data is clocked out on each rising edge of RU_CLK if RU_SHIFThLD is asserted.
RU_nRSTIMER	rsttimer	Input	<ul style="list-style-type: none"> Use this signal to reset the user watchdog timer. A falling edge of this signal triggers a reset of the user watchdog timer. To reset the timer, pulse the RU_nRSTIMER signal for a minimum of 250 ns.
RU_nCONFIG	rconfig	Input	Use this signal to reconfigure the device. Driving this signal low triggers the device to reconfigure if you enable the remote system upgrade feature.
RU_CLK	clk	Input	The clock to the remote system upgrade circuitry. All registers in this clock domain are enabled in user mode if you enable the remote system upgrade. Shift register and input register are positive edge flip-flops.
RU_SHIFThLD	shiftnld	Input	Control signals that determine the mode of remote system upgrade circuitry.
RU_CAPThUPDT	captnupdt	Input	<ul style="list-style-type: none"> When RU_SHIFThLD is driven low and RU_CAPThUPDT is driven low, the input register is loaded with the contents of the shift register on the rising edge of RU_CLK. When RU_SHIFThLD is driven low and RU_CAPThUPDT is driven high, the shift register captures values from the input_cs_ps module on the rising edge of RU_CLK. When RU_SHIFThLD is driven high, the RU_CAPThUPDT will be ignored and the shift register shifts data on each rising edge of RU_CLK.

Related Information

[MAX 10 Device Datasheet](#)

Provides more information about Remote System Upgrade timing specifications.

2.2.1.2.2. Remote System Upgrade Circuitry Input Control

The remote system upgrade circuitry has three modes of operation.

- Update—loads the values in the shift register into the input register.
- Capture—loads the shift register with data to be shifted out.
- Shift—shifts out data to the user logic.

**Table 10. Control Inputs to the Remote System Upgrade Circuitry**

Remote System Upgrade Circuitry Control Inputs				Operation Mode	Input Settings for Registers	
RU_SHIFTnLD	RU_CAPTnUPDT	Shift register [40]	Shift register [39]		Shift Register[38:0]	Input Register[38:0]
0	0	Don't Care	Don't Care	Update	Shift Register [38:0]	Shift Register [38:0]
0	1	0	0	Capture	Current State	Input Register[38:0]
0	1	0	1	Capture	{8'b0, Previous State Application1}	Input Register[38:0]
0	1	1	0	Capture	{8'b0, Previous State Application2}	Input Register[38:0]
0	1	1	1	Capture	Input Register[38:0]	Input Register[38:0]
1	Don't Care	Don't Care	Don't Care	Shift	{ru_din, Shift Register [38:1]}	Input Register[38:0]

The following shows examples of driving the control inputs in the remote system upgrade circuitry:

- When you drive RU_SHIFTnLD high to 1'b1, the shift register shifts data on each rising edge of RU_CLK and RU_CAPTnUPDT has no function.
- When you drive both RU_SHIFTnLD and RU_CAPTnUPDT low to 1'b0, the input register is loaded with the contents of the shift register on the rising edge of RU_CLK.
- When you drive RU_SHIFTnLD low to 1'b0 and RU_CAPTnUPDT high to 1'b1, the shift register captures values on the rising edge of RU_DCLK.

2.2.1.2.3. Remote System Upgrade Input Register

Table 11. Remote System Upgrade Input Register for Intel MAX 10 Devices

Bits	Name	Description
38:14	Reserved	Reserved—set to 0.
13	ru_config_sel	<ul style="list-style-type: none"> • 0: Load configuration image 0 • 1: Load configuration image 1 This bit will only work if the ru_config_sel_overwrite bit is set to 1.
12	ru_config_sel_overwrite	<ul style="list-style-type: none"> • 0: Disable overwrite CONFIG_SEL pin • 1: Enable overwrite CONFIG_SEL pin
11:0	Reserved	Reserved—set to 0.



2.2.1.2.4. Remote System Upgrade Status Registers

Table 12. Remote System Upgrade Status Register—Current State Logic Bit for Intel MAX 10 Devices

Bits	Name	Description
33:30	msm_cs	The current state of the master state machine (MSM).
29	ru_wd_en	The current state of the enabled user watchdog timer. The default state is active high.
28:0	wd_timeout_value	The current, entire 29-bit watchdog time-out value.

Table 13. Remote System Upgrade Status Register—Previous State Bit for Intel MAX 10 Devices

Bits	Name	Description
31	nconfig	An active high field that describes the reconfiguration sources which caused the Intel MAX 10 device to leave the previous application configuration. In the event of a tie, the higher bit order takes precedence. For example, if the nconfig and the ru_nconfig triggered at the same time, the nconfig takes precedence over the ru_nconfig.
30	crcerror	
29	nstatus	
28	wdtimer	
27:26	Reserved	Reserved—set to 0.
25:22	msm_cs	The state of the MSM when a reconfiguration event occurred. The reconfiguration will cause the device to leave the previous application configuration.
21:0	Reserved	Reserved—set to 0.

Related Information

[Altera Dual Configuration IP Core Avalon-MM Address Map](#) on page 60

2.2.1.2.5. Master State Machine

The master state machine (MSM) tracks current configuration mode and enables the user watchdog timer.

Table 14. Remote System Upgrade Master State Machine Current State Descriptions for Intel MAX 10 Devices

msm_cs Values	State Description
0010	Image 0 is being loaded.
0011	Image 1 is being loaded after a revert in application image happens.
0100	Image 1 is being loaded.
0101	Image 0 is being loaded after a revert in application image happens.

2.2.1.3. User Watchdog Timer

The user watchdog timer prevents a faulty application configuration from stalling the device indefinitely. You can use the timer to detect functional errors when an application configuration is successfully loaded into the device.



The counter is 29 bits wide and has a maximum count value of 2^{29} . When specifying the user watchdog timer value, specify only the most significant 12 bits. The granularity of the timer setting is 2^{17} cycles. The cycle time is based on the frequency of the user watchdog timer internal oscillator. Depending on the counter and the internal oscillator of the device, you can set the cycle time from 9ms to 244s.

Figure 5. Watchdog Timer Formula for Intel MAX 10 Devices

$$\text{Watchdog timer time-out (seconds)} = \frac{\text{Watchdog timer value (decimal)}}{\text{Watchdog timer frequency}}$$

The timer begins counting as soon as the application configuration enters user mode. When the timer expires, the remote system upgrade circuitry generates a time-out signal, updates the status register, and triggers the loading of the revert configuration image. To reset the timer, pulse the `RU_nRSTIMER` for a minimum of 250 ns.

When you enable the watchdog timer, the setting will apply to all images, all images should contain the soft logic configuration to reset the timer. Application Configuration will reset the control block registers.

Related Information

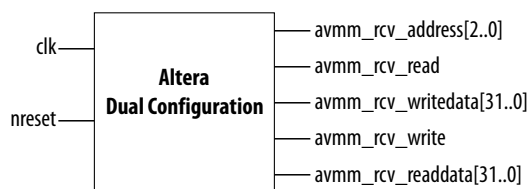
- [User Watchdog Internal Circuitry Timing Specifications](#)
Provides more information about the user watchdog frequency.
- [Initialization Configuration Bits](#) on page 11

2.2.1.4. Altera Dual Configuration IP Core

The Altera Dual Configuration IP core offers the following capabilities through Avalon-MM interface:

- Asserts `RU_nCONFIG` to trigger reconfiguration.
- Asserts `RU_nRSTIMER` to reset watchdog timer if the watchdog timer is enabled.
- Writes configuration setting to the input register of the remote system upgrade circuitry.
- Reads information from the remote system upgrade circuitry.

Figure 6. Altera Dual Configuration IP Core Block Diagram



Related Information

- [Altera Dual Configuration IP Core Avalon-MM Address Map](#) on page 60
- [Avalon Interface Specifications](#)
Provides more information about the Avalon-MM interface specifications applied in Altera Dual Configuration IP Core.



- [Instantiating the Altera Dual Configuration IP Core](#) on page 59
- [Altera Dual Configuration IP Core References](#) on page 60
- [Remote System Upgrade](#) on page 13
- [AN 741: Remote System Upgrade for MAX 10 FPGA Devices over UART with the Nios II Processor](#)
Provides reference design for remote system upgrade in MAX 10 FPGA devices.
- [I2C Remote System Update Example](#)
This example demonstrates a remote system upgrade using the I2C protocol.

2.2.2. Configuration Design Security

The Intel MAX 10 design security feature supports the following capabilities:

- Encryption—Built-in encryption standard (AES) to support 128-bit key industry-standard design security algorithm
- Chip ID—Unique device identification
- JTAG secure mode—limits access to JTAG instructions
- Verify Protect—allows optional disabling of CFM content read-back

2.2.2.1. AES Encryption Protection

The Intel MAX 10 design security feature provides the following security protection for your designs:

- Security against copying—the non-volatile key is securely stored in the Intel MAX 10 devices and cannot be read through any interface. Without this key, attacker will not be able to decrypt the encrypted configuration image.
- Security against reverse engineering—reverse engineering from an encrypted configuration file is very difficult and time consuming because the file requires decryption.
- Security against tampering—after you enable the JTAG Secure and Encrypted POF (EPOF) only, the Intel MAX 10 device can only accept configuration files encrypted with the same key. Additionally, configuration through the JTAG interface is blocked.

Related Information

[Generating .pof using Convert Programming Files](#) on page 39

2.2.2.1.1. Encryption and Decryption

MAX 10 supports AES encryption. Programming bitstream is encrypted based on the encryption key that is specified by you. In Intel MAX 10 devices, the key is part of the ICB settings stored in the internal flash. Hence, the key will be non-volatile but you can clear/delete the key by a full chip erase the device.

When you use compression with encryption, the configuration file is first compressed, and then encrypted using the Intel Quartus Prime software. During configuration, the device first decrypts, and then decompresses the configuration file.

The header and I/O configuration shift register (IOCSR) data will not be encrypted. The decryption block is activated after the IOCSR chain is programmed. The decryption block only decrypts core data and postamble.



Related Information

JTAG Instruction Availability on page 22

2.2.2.2. Unique Chip ID

Unique chip ID provides the following features:

- Identifies your device in your design as part of a security feature to protect your design from an unauthorized device.
- Provides non-volatile 64-bits unique ID for each Intel MAX 10 device with write protection.

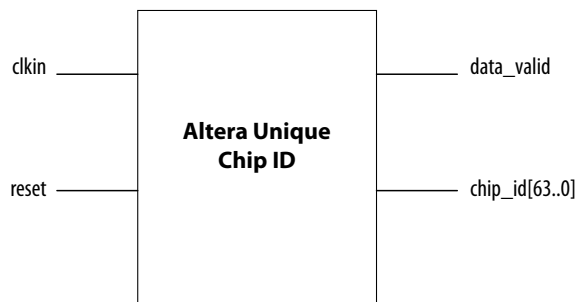
You can use the Altera Unique Chip ID IP core to acquire the chip ID of your Intel MAX 10 device.

Related Information

- [Altera Unique Chip ID IP Core](#) on page 58
- [Altera Unique Chip ID IP Core Ports](#) on page 62

2.2.2.2.1. Altera Unique Chip ID IP Core

Figure 7. Altera Unique Chip ID IP Core Block Diagram



At the initial state, the `data_valid` signal is low because no data is read from the unique chip ID block. After feeding a clock signal to the `clk_in` input port, the Altera Unique Chip ID IP core begins to acquire the chip ID of your device through the unique chip ID block. After acquiring the chip ID of your device, the Altera Unique Chip ID IP core asserts the `data_valid` signal to indicate that the chip ID value at the output port is ready for retrieval.

The operation repeats only when you provide another clock signal when the `data_valid` signal is low. If the `data_valid` signal is high when you provide another clock signal, the operation stops because the `chip_id[63..0]` output holds the chip ID of your device.

A minimum of 67 clock cycles are required for the `data_valid` signal to go high.

The `chip_id[63:0]` output port holds the value of chip ID of your device until you reconfigure the device or reset the Altera Unique Chip ID IP core.



2.2.2.3. JTAG Secure Mode

In JTAG Secure mode, the device only allows mandatory IEEE 1149.1 JTAG instructions to be exercised.

You can enable the JTAG secure when generating the .pof in the Convert Programming Files. To exit JTAG secure mode, issue the UNLOCK JTAG instruction. The LOCK JTAG instruction puts the device in the JTAG secure mode again. The LOCK and UNLOCK JTAG instructions can only be issued through the JTAG core access. Refer to Table 16 on page 22 for list of available instructions.

Related Information

- [JTAG Instruction Availability](#) on page 22
- [Configuration Flash Memory Permissions](#) on page 23
- [JTAG Secure Design Example](#)
- [Generating .pof using Convert Programming Files](#) on page 39

2.2.2.3.1. JTAG Secure Mode Instructions

Table 15. JTAG Secure Mode Instructions for Intel MAX 10 Devices

JTAG Instruction	Instruction Code	Description
LOCK	10 0000 0010	<ul style="list-style-type: none"> • Activates the JTAG secure mode. • Blocks access from both external pins and core to JTAG.
UNLOCK	10 0000 1000	Deactivates the JTAG secure mode.

2.2.2.4. Verify Protect

Verify Protect is a security feature to enhance CFM security. When you enable the **Verify Protect**, only program and erase operation are allowed on the CFM. This capability protects the CFM contents from being copied.

You can turn on the **Verify Protect** feature when converting the .sof file to .pof file in the Intel Quartus Prime Convert Programming File tool.

Related Information

- [Configuration Flash Memory Permissions](#) on page 23
- [Generating .pof using Convert Programming Files](#) on page 39

2.2.2.5. JTAG Instruction Availability

Table 16. JTAG Instruction Availability Based on JTAG Secure Mode and Encryption Settings

JTAG Secure Mode	Encryption	Description
Disabled	Disabled	All JTAG Instructions enabled
	Enabled	All JTAG Instructions are enabled except: <ul style="list-style-type: none"> • CONFIGURE
Enabled	Disabled	All non-mandatory IEEE 1149.1 JTAG instructions are disabled except: <p style="text-align: right;"><i>continued...</i></p>



JTAG Secure Mode	Encryption	Description
	Enabled	<ul style="list-style-type: none"> SAMPLE/PRELOAD BYPASS EXTTEST IDCODE UNLOCK LOCK

Related Information

- [JTAG Secure Mode](#) on page 22
- [Intel MAX 10 JTAG Secure Design Example](#) on page 53
- [JTAG Secure Design Example](#)
- [Encryption and Decryption](#) on page 20

2.2.2.6. Configuration Flash Memory Permissions

The JTAG secure mode and verify protect features determines the CFM operation permission.. The table list the operations permitted based on the security settings.

Table 17. CFM Permissions for Intel MAX 10 Devices

Operation	JTAG Secure Mode Disabled		JTAG Secure Mode Enabled	
	Verify Protect Disabled	Verify Protect Enabled	Verify Protect Disabled	Verify Protect Enabled
ISP through core	Illegal operation	Illegal operation	Illegal operation	Illegal operation
ISP through JTAG pins	Full access	Program and erase only	No access	No access
Real-time ISP through core	Full access	Program and erase only	No access	No access
Real-time ISP through JTAG pins	Full access	Program and erase only	No access	No access
UFM interface through core ⁽⁵⁾	Full access	Full access	Full access	Full access

Related Information

- [JTAG Secure Mode](#) on page 22
- [Intel MAX 10 JTAG Secure Design Example](#) on page 53
- [JTAG Secure Design Example](#)
- [Verify Protect](#) on page 22
- [Generating .pof using Convert Programming Files](#) on page 39

2.2.3. SEU Mitigation and Configuration Error Detection

The dedicated circuitry built in Intel MAX 10 devices consists of an error detection cyclic redundancy check (EDCRC) feature. You can use this feature to mitigate single-event upset (SEU) or soft errors.

⁽⁵⁾ The UFM interface through core is available if you select the dual compressed image mode.



The hardened on-chip EDCRC circuitry allows you to perform the following operations without any impact on the fitting of the device:

- Auto-detection of cyclic redundancy check (CRC) errors during configuration.
- Identification of SEU in user mode with the optional CRC error detection.
- Testing of error detection by error detection verification through the JTAG interface.

Related Information

- [Verifying Error Detection Functionality](#) on page 43
- [Enabling Error Detection](#) on page 44
- [Accessing Error Detection Block Through User Logic](#) on page 45

2.2.3.1. Configuration Error Detection

In configuration mode, a frame-based CRC is stored in the configuration data and contains the CRC value for each data frame.

During configuration, the Intel MAX 10 device calculates the CRC value based on the frame of data that is received and compares it against the frame CRC value in the data stream. Configuration continues until the device detects an error or when all the values are calculated.

For Intel MAX 10 devices, the CRC is computed by the Intel Quartus Prime software and downloaded into the device as part of the configuration bit stream. These devices store the CRC in the 32-bit storage register at the end of the configuration mode.

2.2.3.2. User Mode Error Detection

SEUs are changes in a CRAM bit state due to an ionizing particle. Intel MAX 10 devices have built-in error detection circuitry to detect data corruption in the CRAM cells.

This error detection capability continuously computes the CRC of the configured CRAM bits. The CRC of the contents of the device are compared with the pre-calculated CRC value obtained at the end of the configuration. If the CRC values match, there is no error in the current configuration CRAM bits. The process of error detection continues until the device is reset—by setting `nCONFIG` to low.

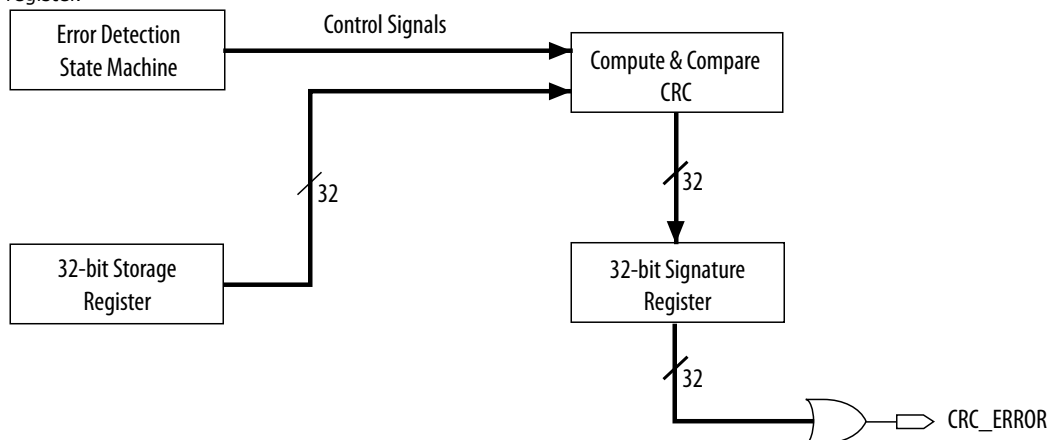
The error detection circuitry in Intel MAX 10 device uses a 32-bit CRC IEEE Std. 802 and a 32-bit polynomial as the CRC generator. Therefore, the device performs a single 32-bit CRC calculation. If an SEU does not occur, the resulting 32-bit signature value is `0x000000`, which results in a 0 on the output signal `CRC_ERROR`. If an SEU occurs in the device, the resulting signature value is non-zero and the `CRC_ERROR` output signal is 1. You must decide whether to reconfigure the FPGA by strobing the `nCONFIG` pin low or ignore the error.



2.2.3.2.1. Error Detection Block

Figure 8. Error Detection Block Diagram

Error detection block diagram including the two related 32-bit registers—the signature register and the storage register.



There are two sets of 32-bit registers in the error detection circuitry that store the computed CRC signature and pre-calculated CRC value. A non-zero value on the signature register causes the CRC_ERROR pin to go high.

Table 18. Error Detection Registers for Intel MAX 10 Devices

Register	Description
32-bit signature register	This register contains the CRC signature. The signature register contains the result of the user mode calculated CRC value compared against the pre-calculated CRC value. If no errors are detected, the signature register is all zeroes. A non-zero signature register indicates an error in the configuration CRAM contents. The CRC_ERROR signal is derived from the contents of this register.
32-bit storage register	This register is loaded with the 32-bit pre-computed CRC signature at the end of the configuration stage. The signature is then loaded into the 32-bit Compute and Compare CRC block during user mode to calculate the CRC error. This register forms a 32-bit scan chain during execution of the CHANGE_EDREG JTAG instruction. The CHANGE_EDREG JTAG instruction can change the content of the storage register. Therefore, the functionality of the error detection CRC circuitry is checked in-system by executing the instruction to inject an error during the operation. The operation of the device is not halted when issuing the CHANGE_EDREG JTAG instruction.

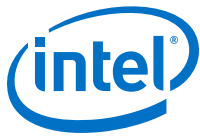
2.2.3.2.2. CHANGE_EDREG JTAG Instruction

Table 19. CHANGE_EDREG JTAG Instruction Description

JTAG Instruction	Instruction Code	Description
CHANGE_EDREG	00 0001 0101	This instruction connects the 32-bit CRC storage register between TDI and TDO. Any precomputed CRC is loaded into the CRC storage register to test the operation of the error detection CRC circuitry at the CRC_ERROR pin.

2.2.3.3. Error Detection Timing

When the error detection CRC feature is enabled through the Intel Quartus Prime software, the device automatically activates the CRC process upon entering user mode, after configuration and initialization is complete.



The CRC_ERROR pin will remain low until the error detection circuitry has detected a corrupted bit in the previous CRC calculation. After the pin goes high, it remains high during the next CRC calculation. This pin does not log the previous CRC calculation. If the new CRC calculation does not contain any corrupted bits, the CRC_ERROR pin is driven low. The error detection runs until the device is reset.

The error detection circuitry is clocked by an internal configuration oscillator with a divisor that sets the maximum frequency. The CRC calculation time depends on the device and the error detection clock frequency.

Related Information

[Enabling Error Detection](#) on page 44

2.2.3.3.1. Error Detection Frequency

You can set a lower clock frequency by specifying a division factor in the Intel Quartus Prime software.

Table 20. Minimum and Maximum Error Detection Frequencies for Intel MAX 10 Devices

Device	Error Detection Frequency	Maximum Error Detection Frequency (MHz)	Minimum Error Detection Frequency (kHz)	Valid Values for n
10M02	55 MHz/2 ⁿ to 116 MHz/2 ⁿ	58	214.8	1, 2, 3, 4, 5, 6, 7, 8
10M04				
10M08				
10M16				
10M25				
10M40	35 MHz/2 ⁿ to 77 MHz/2 ⁿ	38.5	136.7	
10M50				

2.2.3.3.2. Cyclic Redundancy Check Calculation Timing

Table 21. Cyclic Redundancy Check Calculation Time for Intel MAX 10 Devices

Device	Divisor Value (n = 2)	
	Minimum Time (ms)	Maximum Time (ms)
10M02	2	6.6
10M04	6	15.7
10M08	6	15.7
10M16	10	25.5
10M25	14	34.7
10M40	43	106.7
10M50	43	106.7



Figure 9. CRC Calculation Formula

You can use this formula to calculate the CRC calculation time for divisor other than 2.

$$\text{CRC Calculation Time}_{\text{Divisor } n} = \text{CRC Calculation Time}_{\text{Divisor } 2} \times \frac{n}{2}$$

Example 1. CRC Calculation Example

For 10M16 device with divisor value of 256:

Minimum CRC calculation time for divisor 256 = 10 x (256/2) = 1280 ms

2.2.3.4. Recovering from CRC Errors

The system that Intel MAX 10 resides in must control device reconfiguration. After detecting an error on the `CRC_ERROR` pin, strobing the `nCONFIG` pin low directs the system to perform reconfiguration at a time when it is safe for the system to reconfigure the Intel MAX 10 device.

When the data bit is rewritten with the correct value by reconfiguring the device, the device functions correctly.

While SEUs are uncommon in Intel FPGA devices, certain high-reliability applications might require a design to account for these errors.

2.2.4. Configuration Data Compression

Intel MAX 10 devices can receive compressed configuration bitstream and decompress the data in real-time during configuration. This feature helps to reduce the configuration image size stored in the CFM. Data indicates that compression typically reduces the configuration file size by at least 30% depending on the design.

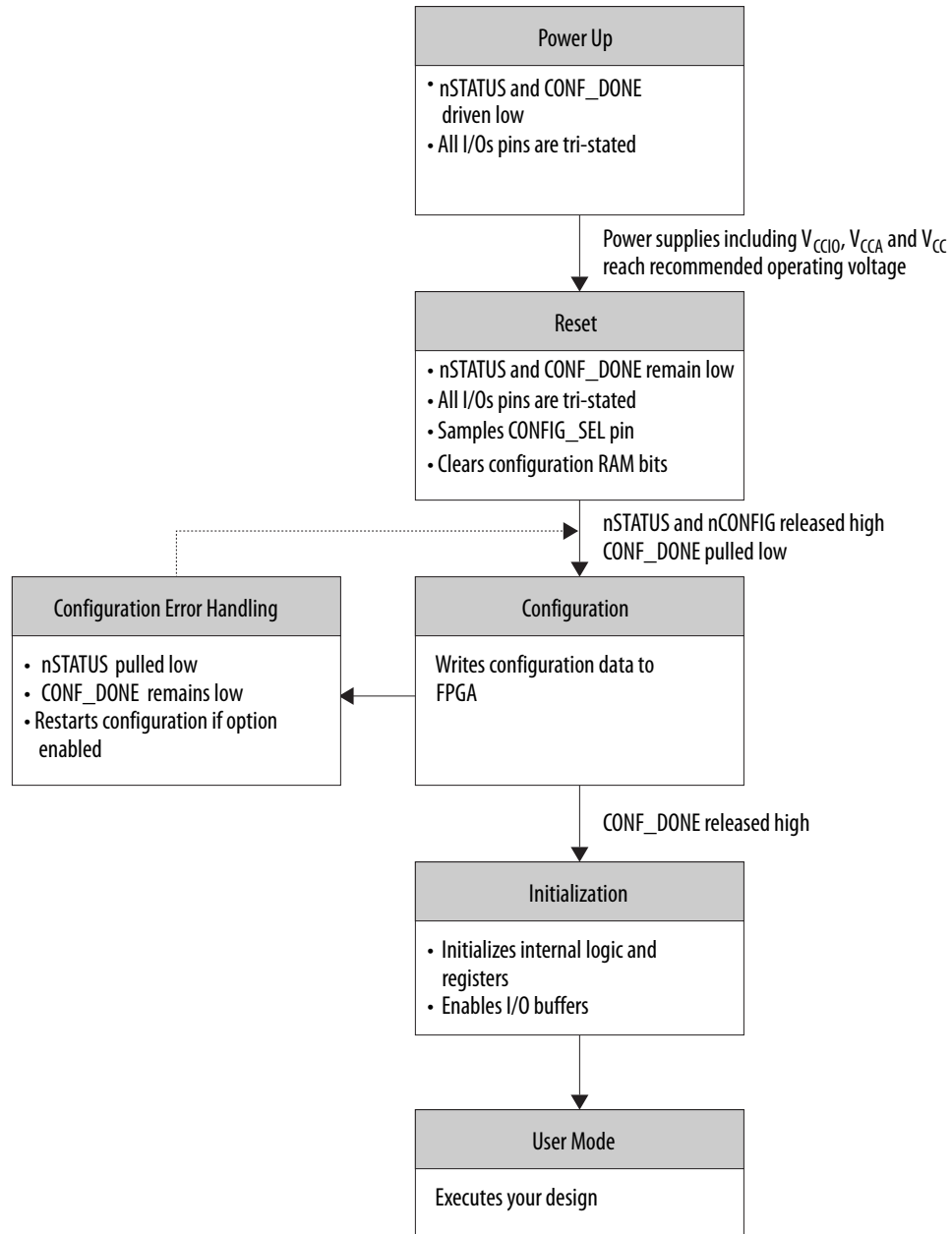
Related Information

- [Enabling Compression Before Design Compilation](#) on page 47
- [Enabling Compression After Design Compilation](#) on page 47

2.3. Configuration Details

2.3.1. Configuration Sequence

Figure 10. Configuration Sequence for Intel MAX 10 Devices



You can initiate reconfiguration by pulling the nCONFIG pin low to at least the minimum $t_{RU,nCONFIG}$ low-pulse width. When this pin is pulled low, the nSTATUS and CONF_DONE pins are pulled low and all I/O pins are either tied to an internal weak pull-up or tri-stated based on the ICB settings.



Related Information

Generating .pof using [Convert Programming Files](#) on page 39

Provides more information about how to set the weak pull-up during configuration.

2.3.1.1. Power-up

If you power-up a device from the power-down state, you need to power the V_{CCIO} for bank 1B (bank 1 for 10M02 devices), bank 8 and the core to the appropriate level for the device to exit POR. The Intel MAX 10 device enters the configuration stage after exiting the power-up stage with a small POR delay.

Related Information

- [MAX 10 Power Management User Guide](#)
Provides more information about power supply modes in MAX 10 devices
- [MAX 10 Device Datasheet](#)
Provides more information about the ramp-up time specifications.
- [MAX 10 FPGA Device Family Pin Connection Guideline](#)
Provides more information about configuration pin connections.

2.3.1.1.1. POR Monitored Voltage Rails for Single-supply and Dual-supply Intel MAX 10 Devices

To begin configuration, the required voltages must be powered up to the appropriate voltage levels as shown in the following table. The V_{CCIO} for bank 1B (bank 1 for 10M02 devices) and bank 8 must be powered up to a voltage between 1.5V – 3.3V during configuration.

Table 22. POR Monitored Voltage Rails for Single-supply and Dual-supply Intel MAX 10 Devices

There is no power-up sequence required when powering-up the voltages.

Power Supply Device Options	Power Supply Monitored by POR
Single-supply	Regulated V_{CC_ONE}
	V_{CCA}
	V_{CCIO} bank 1B ⁽⁶⁾ and bank 8
Dual-supply	V_{CC}
	V_{CCA}
	V_{CCIO} bank 1B ⁽⁶⁾ and bank 8

⁽⁶⁾ Bank 1 for 10M02 devices

2.3.1.1.2. Monitored Power Supplies Ramp Time Requirement for Intel MAX 10 Devices

Figure 11. Monitored Power Supplies Ramp Time Requirement Diagram for Intel MAX 10 Devices

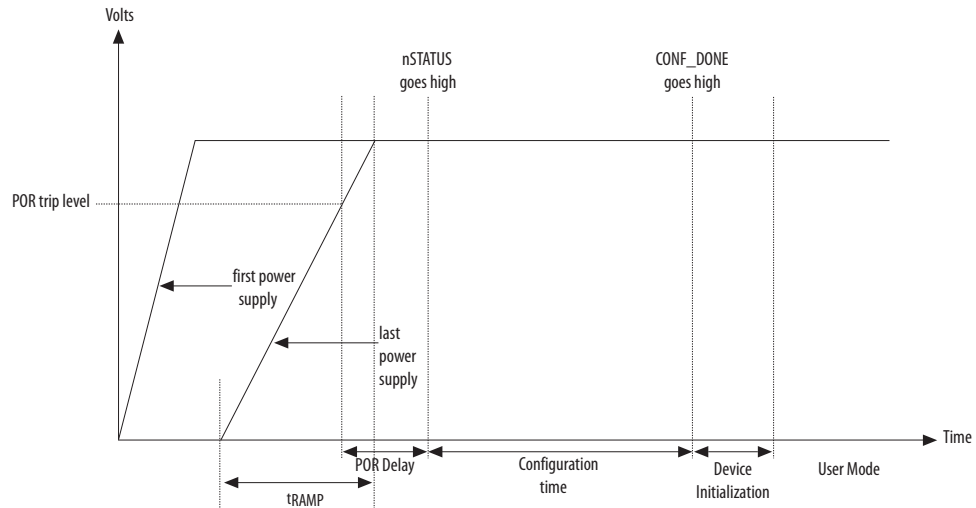


Table 23. Monitored Power Supplies Ramp Time Requirement for Intel MAX 10 Devices

Symbol	Parameter	Minimum	Maximum	Unit
t_{RAMP}	Power Supply Ramp Time ⁽⁷⁾	— ⁽⁸⁾	10	ms

2.3.1.2. Configuration

During configuration, configuration data is read from the internal flash and written to the CRAM.

2.3.1.3. Configuration Error Handling

To restart configuration automatically, turn on the **Auto-restart configuration after error** option in the **General** page of the **Device and Pin Options** dialog box in the Intel Quartus Prime software.

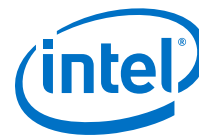
If you do not turn on this option, you can monitor the `nSTATUS` pin to detect errors. To restart configuration, pull the `nCONFIG` pin low for at least the duration of $t_{RU_nCONFIG}$.

2.3.1.4. Initialization

The initialization sequence begins after the `CONF_DONE` pin goes high. The initialization clock source is from the internal oscillator and the Intel MAX 10 device will receive enough clock cycles for proper initialization.

⁽⁷⁾ Ensure that all V_{CCIO} power supply reaches full rail before configuration completes. See [Internal Configuration Time](#) on page 12.

⁽⁸⁾ There is no absolute minimum value for the ramp rate requirement. Intel characterized the minimum t_{RAMP} of 200 μ s.



2.3.1.5. User Mode

After the initialization completes, your design starts executing. The user I/O pins will then function as specified by your design.

2.3.2. Intel MAX 10 Configuration Pins

All configuration pins and JTAG pins in Intel MAX 10 devices are dual-purpose pins. The configuration pins function as configuration pins prior to user mode. When the device is in user mode, they function as user I/O pins or remain as configuration pins.

Table 24. Configuration Pin Summary for Intel MAX 10 Devices

All pins are powered by V_{CCIO} Bank 1B (bank 1 for 10M02 devices) and 8.

Configuration Pin	Input/Output	Configuration Scheme
CRC_ERROR	Output only, open-drain	Optional, JTAG and internal configurations
CONFIG_SEL	Input only	Internal configuration
DEV_CLRn	Input only	Optional, JTAG and internal configurations
DEV_OE	Input only	Optional, JTAG and internal configurations
CONF_DONE	Bidirectional, open-drain	JTAG and internal configurations
nCONFIG	Input only	JTAG and internal configurations
nSTATUS	Bidirectional, open-drain	JTAG and internal configurations
JTAGEN	Input only	Optional, JTAG configuration
TCK	Input only	JTAG configuration
TDO	Output only	JTAG configuration
TMS	Input only	JTAG configuration
TDI	Input only	JTAG configuration

Related Information

- [Guidelines: Dual-Purpose Configuration Pin](#) on page 32
- [Enabling Dual-purpose Pin](#) on page 33



3. Intel MAX 10 FPGA Configuration Design Guidelines

3.1. Dual-Purpose Configuration Pins

3.1.1. Guidelines: Dual-Purpose Configuration Pin

To use configuration pins as user I/O pins in user mode, you have to adhere to the following guidelines.

Table 25. Dual-Purpose Configuration Pin Guidelines for Intel MAX 10 Devices

Guidelines	Pins
Configuration pins during initialization: <ul style="list-style-type: none"> • Tri-state the external I/O driver and drive an external pull-up resistor⁽⁹⁾ or • Use the external I/O driver to drive the pins to the state same as the external weak pull-up resistor 	<ul style="list-style-type: none"> • nCONFIG • nSTATUS • CONF_DONE
JTAG pins: <ul style="list-style-type: none"> • If you intend to switch back and forth between user I/O pins and JTAG pin functions using the JTAGEN pin, all JTAG pins must be assigned as single-ended I/O pins or voltage-referenced I/O pins. Schmitt trigger input is the recommended input buffer. • JTAG pins cannot perform as JTAG pins in user mode if you assign any of the JTAG pin as a differential I/O pin. • You must use the JTAG pins as dedicated pins and not as user I/O pins during JTAG programming. • Do not toggle JTAG pin during the initialization stage. • Put the test access port (TAP) controller in reset state by driving the TDI and TMS pins high and TCK pin low for at least 5 clock cycles before the initialization. 	<ul style="list-style-type: none"> • TDO • TMS • TCK • TDI

Attention: Assign all JTAG pins as single-ended I/O pins or voltage-referenced I/O pins if you enable JTAG pin sharing feature.

Related Information

- [MAX 10 FPGA Device Family Pin Connection Guidelines](#)
Provides more information about recommended resistor values.
- [Intel MAX 10 Configuration Pins](#) on page 31
- [JTAG Pins](#) on page 5

⁽⁹⁾ If you intend to remove the external weak pull-up resistor, Intel recommends that you remove it after the device enters user mode.



3.1.1.1. JTAG Pin Sharing Behavior

Table 26. JTAG Pin Sharing Behavior for Intel MAX 10 Devices

Configuration Stage	JTAG Pin Sharing	JTAGEN Pin	JTAG Pins (TDO, TDI, TCK, TMS)
User mode	Disabled	User I/O pin	Dedicated JTAG pins.
	Enabled	Driven low	User I/O pins.
		Driven high	Dedicated JTAG pins.
Configuration	Don't Care	Not used	Dedicated JTAG pins.

Note: You have to set the pins according to [Table 25](#) on page 32 and with correct pin direction (input, output or bidirectional) for the JTAG pins work correctly.

3.1.2. Enabling Dual-purpose Pin

To use the configuration and JTAG pins as user I/O in user mode, you must do the following in the Intel Quartus Prime software:

1. On the **Assignments** menu, click **Device**.
2. Click **Device and Pin Options**.
3. Select the **General** tab of **Device and Pin Options**.
4. In the **General Options** list, do the following:
 - Check the **Enable JTAG pin sharing**.
 - Uncheck the **Enable nCONFIG, nSTATUS, and CONF_DONE pins**.

Related Information

- [Intel MAX 10 Configuration Pins](#) on page 31
- [JTAG Pins](#) on page 5

3.2. Configuring Intel MAX 10 Devices using JTAG Configuration

The Intel Quartus Prime software generates a `.sof` that you can use for JTAG configuration. You can directly configure the Intel MAX 10 device by using a download cable with the Intel Quartus Prime software programmer.

Alternatively, you can use the JAM Standard Test and Programming Language (STAPL) Format File (`.jam`), JAM Byte Code File (`.jbc`), or Serial Vector Format (`.svf`) with other third-party programming tools. You can either:

- Auto-generate these files
- Manually convert them using Intel Quartus Prime Programmer

Related Information

[AN 425: Using the Command-Line Jam STAPL Solution for Device Programming](#)



3.2.1. Auto-Generating Configuration Files for Third-Party Programming Tools

To generate the third-party programming tool files, perform the following steps:

1. On the **Assignments** menu, click **Settings**. The **Settings** dialog box appears.
2. In the **Category** list, select **Device**. The **Device** page appears.
3. Click **Device and Pin Options**.
4. In the **Device and Pin Options** dialog box, select the **Configuration Files** from the category pane.
5. Select the programming file you want to generate.

Note: The Intel Quartus Prime software generates two files for each optional programming file you selected. For example:

- `<project_name>.jbc`—This is the `.sof` equivalent file. Use this file to perform JTAG configuration.
- `<project_name>_pof.jbc`—This is the `.pof` equivalent file. Use this file to perform Internal configuration.

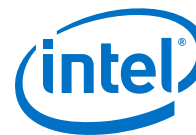
6. Click OK once setting is completed.

3.2.2. Generating Third-Party Programming Files using Intel Quartus Prime Programmer

To convert a `.sof` or `.pof` file to `.jam`, `.jbc`, or `.svf` file, perform the following steps:

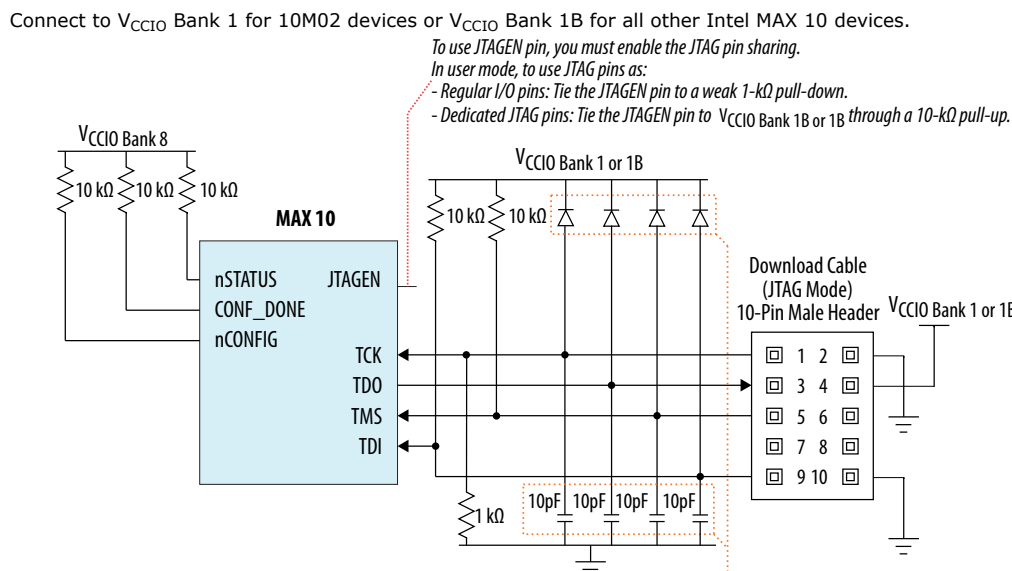
1. On the **Tools** menu, click **Programmer**.
2. Click **Add File** and select the programming file and click **Open**.
3. On the Intel Quartus Prime Programmer menu, select **File > Create/Update > Create Jam, SVF, or ISC File**.
4. In the **File Format** list, select the format you want to generate.

Note: The generated file name does not indicate whether it was converted from a `.sof` or a `.pof` file. You can rename the generated file to avoid future confusion.



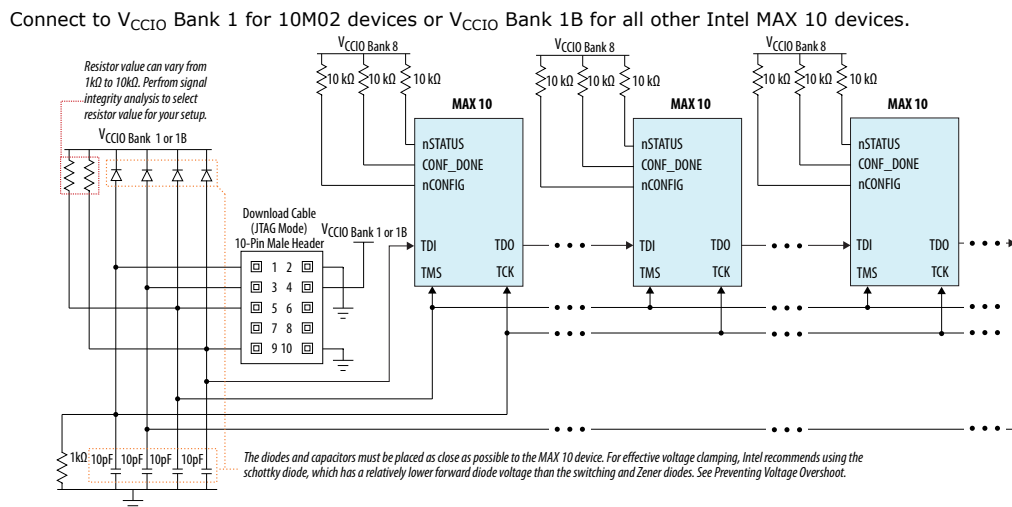
3.2.3. JTAG Configuration Setup

Figure 12. Connection Setup for JTAG Single-Device Configuration using Download Cable



The diodes and capacitors must be placed as close as possible to the MAX 10 device. For effective voltage clamping, Intel recommends using the schottky diode, which has a relatively lower forward diode voltage than the switching and Zener diodes. See Preventing Voltage Overshoot.

Figure 13. Connection Setup for JTAG Multi-Device Configuration using Download Cable



To configure a device in a JTAG chain, the programming software sets the other devices to bypass mode. A device in bypass mode transfers the programming data from the TDI pin to the TDO pin through a single bypass register. The configuration data is available on the TDO pin one clock cycle later.



The Intel Quartus Prime software uses the `CONF_DONE` pin to verify the completion of the configuration process through the JTAG port:

- `CONF_DONE` pin is low—indicates that the configuration has failed.
- `CONF_DONE` pin is high—indicates that the configuration was successful.

After the configuration data is transmitted serially using the JTAG TDI port, the TCK port is clocked to perform device initialization.

Preventing Voltage Overshoot

To prevent voltage overshoot, you must use external diodes and capacitors if maximum AC voltage for both VCCIO and JTAG header exceed 3.9V. However, Intel recommends that you use the external diodes and capacitors if the supplies exceed 2.5V.

JTAGEN

If you use the JTAGEN pin, Intel recommends the following settings:

- Once you entered user mode and JTAG pins are regular I/O pins—connect the JTAGEN pin to a weak pull-down (1 k Ω).
- Once you entered user mode and JTAG pins are dedicated pins—connect the JTAGEN pin to a weak pull-up (10 k Ω).

Note: Intel recommends that you use three-pin header with a jumper or other switching mechanism to change the JTAG pins behavior.

3.2.4. ICB Settings in JTAG Configuration

The ICB settings are loaded into the device during `.pof` programming of the internal configuration scheme. The `.sof` used during JTAG configuration programs the CRAM only and does not contain ICB settings. The Intel Quartus Prime Programmer will make the necessary setting based on the following:

- Device without ICB settings—ICB settings cleared from the internal flash or new device
- Device with ICB settings—prior ICB settings programmed using `.pof`

Devices without ICB Settings

For devices without ICB settings, the default value will be used. However, Intel Quartus Prime Programmer disables the user watchdog timer by setting the Watchdog Timer Enable bit to 0. This step is to avoid any unwanted reconfiguration from occurring due to user watchdog timeout.

If the default ICB setting is undesired, you can program the desirable ICB setting first by using `.pof` programming before doing the JTAG configuration.

Devices with ICB Settings

For device with ICB settings, the settings will be preserved until the internal flash is erased. You can refer to the `.map` file to view the preserved ICB settings. JTAG configuration will follow the preserved ICB setting and behave accordingly.



If the prior ICB setting is undesired, you can program the desirable ICB setting first by using `.pof` programming before doing the JTAG configuration.

Related Information

- [.pof and ICB Settings](#) on page 37
- [Verify Protect](#) on page 22
- [JTAG Secure Mode](#) on page 22
- [ISP and Real-Time ISP Instructions](#) on page 10
- [User Watchdog Timer](#) on page 18
- [Generating .pof using Convert Programming Files](#) on page 39
Provides more information about setting the ICB during `.pof` generation using Convert Programming File.

3.3. Configuring Intel MAX 10 Devices using Internal Configuration

There are three main steps for using internal configuration scheme for Intel MAX 10 devices:

1. Selecting the internal configuration scheme.
2. Generating the `.pof` with ICB settings
3. Programming the `.pof` into the internal flash

Related Information

- [Internal Configuration Modes](#) on page 6
- [Remote System Upgrade](#) on page 13

3.3.1. Selecting Internal Configuration Modes

To select the configuration mode, follow these steps:

1. Open the Intel Quartus Prime software and load a project using a Intel MAX 10 device.
2. On the **Assignments** menu, click **Settings**. The **Settings** dialog box appears.
3. In the **Category** list, select **Device**. The **Device** page appears.
4. Click **Device and Pin Options**.
5. In the **Device and Pin Options** dialog box, click the **Configuration** tab.
6. In the **Configuration Scheme** list, select **Internal Configuration**.
7. In the **Configuration Mode** list, select 1 out of 5 configuration modes available. The 10M02 devices has only 2 modes available.
8. Turn on **Generate compressed bitstreams** if needed.
9. Click **OK**.

3.3.2. .pof and ICB Settings

There are two methods which the `.pof` will be generated and setting-up the ICB. The internal configuration mode you selected will determine the corresponding method.



Table 27. .pof Generation and ICB Setting Method for Internal Configuration Modes

Internal Configuration Mode	ICB Setting	Description	.pof Generation Method to Use
Single Compressed Image	ICB can be set in Device and Pin Options	Intel Quartus Prime software automatically generates the .pof during project compilation.	Auto-generated .pof ⁽¹⁰⁾
Single Uncompressed Image			
Single Compressed Image with Memory Initialization.	ICB can be set during Convert Programming Files task.	You need to generate the .pof using Convert Programming Files .	Generating .pof using Convert Programming Files
Single Uncompressed Image with Memory Initialization			
Dual Compressed Images			

3.3.2.1. Auto-Generated .pof

To set the ICB for the auto-generated .pof, follow these steps:

1. On the **Assignments** menu, click **Settings**. The **Settings** dialog box appears.
2. In the **Category** list, select **Device**. The **Device** page appears.
3. Click **Device and Pin Options**.
4. In the **Device and Pin Options** dialog box, select the **Configuration** from the category pane.
5. Click the **Device Options ...** button.
6. The **Max 10 Device Options** dialog box allows you to set the following:
 - a. User I/Os weak pull up during configuration.
 - b. Verify Protect.
7. To automatically generate configuration files for third-party programming tools, select the **Programming Files** from the category pane and select the format that you want to generate.

Note: The Intel Quartus Prime software generates two files for each optional programming file you selected. For example:

- <project_name>.jbc—This is the .sof equivalent file. Use this file to perform JTAG configuration.
- <project_name>.pof.jbc—This is the .pof equivalent file. Use this file to perform Internal configuration.

8. Click **OK** once setting is completed.

⁽¹⁰⁾ Auto-generated .pof does not allow encryption. To enable the encryption feature in Single Compressed and Single Uncompressed mode, use the Convert Programming Files method.



3.3.2.2. Generating .pof using Convert Programming Files

To convert .sof files to .pof files and to set the ICB, follow these steps:

1. On the **File** menu, click **Convert Programming Files**.
2. Under **Output programming file**, select **Programmer Object File (.pof)** in the **Programming file type** list.
3. In the **Mode** list, select **Internal Configuration**.
4. To set the ICB settings, click **Option/Boot Info** and the **ICB setting** dialog box will appear. The **ICB setting** dialog box allows you to set the following:

- a. User I/Os weak pull up during configuration.
- b. Configure device from CFM0 only.

Note: When you disable this feature, the device will always load the configuration image 0 without sampling the physical CONFIG_SEL pin. After successfully load the configuration image 0, you can switch between configuration image using the config_sel_overwrite bit of the input register. Refer to related information for details about Altera Dual Configuration IP core input register.

- c. Use secondary image ISP data as default setting when available.
- d. JTAG Secure.

Note: The JTAG Secure feature will be disabled by default in Intel Quartus Prime. If you are interested in using the JTAG Secure feature, contact Intel for support.

Caution: MAX 10 FPGA device would become permanently locked if you enabled JTAG secure mode in the POF file and POF is encrypted with the wrong key. You must instantiate the internal JTAG interface for you unlock the external JTAG when the device is in JTAG Secure mode.

- e. Verify Protect.
 - f. Allow encrypted POF only.
 - g. Watchdog timer for dual configuration and watchdog timer value (Enabled after adding 2 .sof page with two designs that compiled with Dual Compressed Internal Images).
 - h. User Flash Memory settings.
 - i. RPD File Endianness
5. In the **File name** box, specify the file name for the programming file you want to create.
 6. To generate a Memory Map File (.map), turn on **Create Memory Map File** (Auto generate output_file.map). The **.map** contains the address of the CFM and UFM with the ICB setting that you set through the **Option/Boot Info** option.
 7. To generate a Raw Programming Data (.rpd), turn on **Create config data RPD** (Generate output_file_auto.rpd).



Separate Raw Programming Data (.rpd) for each configuration flash memory and user flash memory (CFM0, CFM1, UFM) section will be generated together for remote system upgrade purpose.

8. The .sof can be added through **Input files to convert** list and you can add up to two .sof files.

For remote system upgrade purpose, you can retain the original page 0 data in the .pof, and replaces page 1 data with new .sof file. To perform this, you must to add the .pof file in page 0, then add .sof page, then add the new .sof file to page 1.

9. After all settings are set, click **Generate** to generate related programming file.

Related Information

- [MAX 10 User Flash Memory User Guide](#)
Provides more information about Altera On-Chip Flash IP Core.
- [Encryption in Internal Configuration](#) on page 51
Provides more information about internal configuration image loaded based on various settings.

3.3.2.3. Generating Third-Party Programming Files using Intel Quartus Prime Programmer

To convert a .sof or .pof file to .jam, .jbc, or .svf file, perform the following steps:

1. On the **Tools** menu, click **Programmer**.
2. Click **Add File** and select the programming file and click **Open**.
3. On the Intel Quartus Prime Programmer menu, select **File > Create/Update > Create Jam, SVF, or ISC File**.
4. In the **File Format** list, select the format you want to generate.

Note: The generated file name does not indicate whether it was converted from a .sof or a .pof file. You can rename the generated file to avoid future confusion.

3.3.3. Programming .pof into Internal Flash

You can use the Intel Quartus Prime Programmer to program the .pof into the CFM through JTAG interface. The Intel Quartus Prime Programmer also allows you to program the UFM part of the internal flash.

To program the .pof into the flash, follow these steps:

1. In the **Programmer** window, click **Hardware Setup** and select **USB Blaster**.
2. In the **Mode** list, select **JTAG**.
3. Click **Auto Detect** button on the left pane.
4. Select the device to be programmed, and click **Add File**.
5. Select the .pof to be programmed to the selected device.
6. There are several options in programming the internal flash:



- To program any of the CFM0/CFM1/CFM2 only, select the corresponding CFM in the Program/Configure column.
- To program the UFM only, select the UFM in the Program/Configure column.
- To program the CFM and UFM only, select the CFM and UFM in the Program/Configure column.

Note: ICB setting is preserved in this option. However, before the programming starts, Intel Quartus Prime Programmer will make sure the ICB setting in the device and the ICB setting in the selected .pof are the same. If the ICB settings are different, Intel Quartus Prime Programmer will overwrite the ICB setting.

- To program the whole internal flash including the ICB settings, select the <yourpoffile.pof> in the Program/Configure column.
7. To enable the real-time ISP mode, turn-on the **Enable real-time ISP to allow background programming**.
 8. After all settings are set, click **Start** to start programming.

3.4. Implementing ISP Clamp in Intel Quartus Prime Software

To implement ISP clamp, you have to:

1. Create a pin state information (.ips) file. The .ips file defines the state for all the pins of the device when the device is in ISP clamp operation. You can use an existing .ips file.
2. Execute the .ips file.

Note: You can use the .ips file created to program the device with any designs, as long as it targets the same device and package. You must use the .ips file together with a POF file.

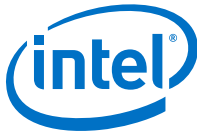
Related Information

[ISP Clamp](#) on page 9

3.4.1. Creating IPS File

To create an .ips file, perform the following steps:

1. Click **Programmer** on the toolbar, or on the **Tools** menu, click **Programmer** to open the **Programmer**.
2. Click **Add File** in the programmer to add the programming file (POF, Jam, or JBC).
3. Click on the programming file (the entire row will be highlighted) and on the **Edit** menu, click **ISP CLAMP State Editor**.
4. Specify the states of the pins in your design in the **ISP Clamp State Editor**. By default, all pins are set to **tri-state**.
5. Click **Save** to save IPS file after making the modifications.



3.4.2. Executing IPS File

To execute ISP Clamp, perform the following steps:

1. In the Quartus Prime **Programmer**, select the .pof you want to program to the device.
2. Select the .pof, right click and select **Add IPS File** and turn-on **ISP CLAMP**.

Note: You can change the start-up delay of the I/O Clamp after configuration. To do this, select **Tools > Options**, turn-on the **Overwrite MAX10 configuration start up delay when using IO Clamp in Programmer** option, and change the delay value accordingly.

3. Select the .pof in the **Program/Configure** column.

Note: For third party programming, you can generate the .jam or .jbc file from the .pof file with .ips file.

4. After all settings are set, click **Start** to start programming.

3.5. Accessing Remote System Upgrade through User Logic

The following example shows how the input and output ports of a WYSIWYG atom are defined in the Intel MAX 10 device.

```
fiftyfivenm_rublock <rublock_name>
(
  .clk(<clock source>),
  .shiftnld(<shiftnld source>),
  .captupdt(<captupdt source>),
  .regin(<regin input source from the core>),
  .rsttimer(<input signal to reset the watchdog timer>),
  .rconfig(<input signal to initiate configuration>),
  .regout(<data output destination to core>)
);
defparam <rublock_name>.sim_init_config = <initial configuration for
simulation only>;
defparam <rublock_name>.sim_init_watchdog_value = <initial watchdog value for
simulation only>;
defparam <rublock_name>.sim_init_config = <initial status register value for
simulation only>;
```

Table 28. Port Definitions

Port	Input/ Output	Definition
<rublock_name>	-	Unique identifier for the RSU Block. This is any identifier name which is legal for the given description language (e.g. Verilog, VHDL, AHDL, etc.). This field is required
.clk(<clock source>)	Input	This signal designates the clock input of this cell. All operation of this cell are with respect to the rising edge of this clock. Whether it is the loading of the data into the cell or data out of the cell, it always occurs on the rising edge. This field is required
.shiftnld(<shiftnld source>)	Input	This signal is an input into the remote system upgrade block. If shiftnld = 1, then data gets shifted from the internal shift registers to the regout at each rising edge of clk and it gets shifted into the internal shift registers from regin. This field is required
<i>continued...</i>		



Port	Input/Output	Definition
<code>.captnupdt(<captnupdt source>)</code>	Input	This signal is an input into the remote system upgrade block. This controls the protocol of when to read the configuration mode or when to write into the registers that control the configuration. This field is required
<code>.regin(<regin input source from the core>)</code>	Input	This signal is an input into the remote system upgrade block for all data being loaded into the core. The data is shifted into the internal registers at the rising edge of <code>clk</code> . This field is required
<code>.rsttimer(<input signal to reset the watchdog timer>)</code>	Input	This signal is an input into the watchdog timer of the remote update block. When this is high, it resets the watchdog timer. This field is required
<code>.rconfig(<input signal to initiate configuration>)</code>	Input	This signal is an input into the configuration section of the remote update block. When this signal goes high, it initiates a reconfiguration. This field is required
<code>.regout(<data output destination to core>)</code>	Output	This is a 1 bit output which is the output of the internal shift register updated every rising edge of <code>.clk</code> . The data coming out depends on the control signals. This field is required.

Related Information

- [Altera Dual Configuration IP Core References](#) on page 60
- [Remote System Upgrade](#) on page 13
- [AN 741: Remote System Upgrade for MAX 10 FPGA Devices over UART with the Nios II Processor](#)
 Provides reference design for remote system upgrade in MAX 10 FPGA devices.
- [I2C Remote System Update Example](#)
 This example demonstrates a remote system upgrade using the I2C protocol.

3.6. Error Detection

3.6.1. Verifying Error Detection Functionality

You can inject a soft error by changing the 32-bit CRC storage register in the CRC circuitry. After verifying the failure induced, you can restore the 32-bit CRC value to the correct CRC value using the same instruction and inserting the correct value. Be sure to read out the correct value before updating it with a known bad value.

In user mode, Intel MAX 10 devices support the `CHANGE_EDREG` JTAG instruction, which allows you to write to the 32-bit storage register. You can use `.jam` to automate the testing and verification process. You can only execute this instruction when the device is in user mode. This instruction enables you to dynamically verify the CRC functionality in-system without having to reconfigure the device. You can then switch to use the CRC circuit to check for real errors induced by an SEU.

After the test completes, you can clear the CRC error and restore the original CRC value using one of the following methods:



- Bring the TAP controller to the RESET state by holding TMS high for five TCK clocks
- Power cycle the device
- Perform these steps:
 1. After the configuration completes, use CHANGE_EDREG JTAG instruction to shift out the correct precomputed CRC value and load the wrong CRC value to the CRC storage register. When an error is detected, the CRC_ERROR pin will be asserted.
 2. Use CHANGE_EDREG JTAG instruction to shift in the correct precomputed CRC value. The CRC_ERROR pin is de-asserted to show that the error detection CRC circuitry is working.

Example 2. JAM File

```
'EDCRC_ERROR_INJECT

ACTION ERROR_INJECT = EXECUTE;
DATA DEVICE_DATA;
BOOLEAN out[32];
BOOLEAN in[32] = $02040608;    'shift in any wrong CRC value
ENDDATA;
PROCEDURE EXECUTE USES DEVICE_DATA;
BOOLEAN X = 0;
DRSTOP IDLE;
IRSTOP IDLE;
STATE IDLE;
IRSCAN 10, $015;                'shift in CHANGE_EDREG instruction
WAIT IDLE, 10 CYCLES, 1 USEC, IDLE;
DRSCAN 32, in[31..0], CAPTURE out[31..0];
WAIT IDLE, 10 CYCLES, 50 USEC, IDLE;
PRINT " ";
PRINT "Data read out from the Storage Register: "out[31], out[30], out[29],
out[28], out[27],
out[26], out[25], out[24], out[23], out[22], out[21], out[20], out[19],
out[18], out[17], out[16], out[15], out[14], out[13], out[12], out[11],
out[10], out[9], out[8], out[7], out[6], out[5], out[4], out[3],
out[2], out[1], out[0];        'Read out correct precomputed CRC value
PRINT " ";
STATE IDLE;
EXIT 0;
ENDPROC;
```

You can run the .jam file using quartus_jli executable with the following command line:

```
quartus_jli -c<cable index> -a<action name> <filename>.jam
```

Related Information

- [SEU Mitigation and Configuration Error Detection](#) on page 23
- [AN 425: Using the Command-Line Jam STAPL Solution for Device Programming](#)
Provides more information about quartus_jli command line executable.

3.6.2. Enabling Error Detection

The CRC error detection feature in the Intel Quartus Prime software generates the CRC_ERROR output to the optional dual-purpose CRC_ERROR pin.



To enable the error detection feature using CRC, follow these steps:

1. Open the Intel Quartus Prime software and load a project using Intel MAX 10 device family.
2. On the **Assignments** menu, click **Settings**. The **Settings** dialog box appears.
3. In the **Category** list, select **Device**.
4. Click **Device and Pin Options**.
5. In the **Device and Pin Options** dialog box, click the **Error Detection CRC** tab.
6. Turn on **Enable error detection CRC**.
7. In the **Divide error check frequency by** field, enter a valid divisor.

The divisor value divides down the frequency of the configuration oscillator output clock. This output clock is used as the clock source for the error detection process.

8. Click **OK**.

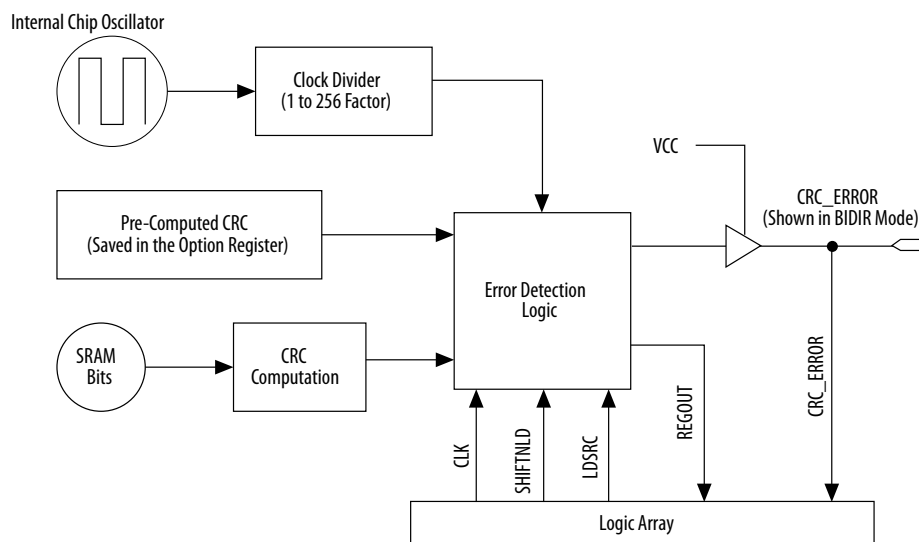
Related Information

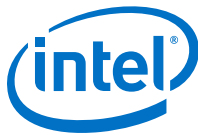
[SEU Mitigation and Configuration Error Detection](#) on page 23

3.6.3. Accessing Error Detection Block Through User Logic

The error detection circuit stores the computed 32-bit CRC signature in a 32-bit register. The user logic from the core reads out this signature. The `fiftyfivenm_crcblock` primitive is a WYSIWYG component used to establish the interface from the user logic to the error detection circuit. The `fiftyfivenm_crcblock` primitive atom contains the input and output ports that must be included in the atom. To access the logic array, you must insert the `fiftyfivenm_crcblock` WYSIWYG atom into your design. The recommended clock frequency of .clk port is to follow the clock frequency of EDCRC block.

Figure 14. Error Detection Block Diagram with Interfaces for Intel MAX 10 Devices





The following example shows how the input and output ports of a WYSIWYG atom are defined in the Intel MAX 10 device.

```
fiftyfivenm_crcblock <name>
(
  .clk(<ED_CLK clock source>),
  .shiftnld(<ED_SHIFTNLD source>),
  .ldsrc (<LDSRC source>),
  .crcerror(<CRCERROR_CORE out destination>),
  .regout(<output destination>)
);
defparam <crcblock_name>.oscillator_divider = <internal oscillator division
(1 to 256)>;
```

Table 29. Port Definitions

Port	Input/Output	Definition
<crcblock_name>	—	Unique identifier for the CRC block and represents any identifier name that is legal for the given description language such as Verilog HDL, VHDL, AHDL. This field is required.
.clk(<clock source>	Input	This signal designates the clock input of this cell. All operations of this cell are with respect to the rising edge of the clock. Whether it is the loading of the data into the cell or data out of the cell, it always occurs on the rising edge. This port is required.
.shiftnld (<shiftnld source>)	Input	This signal is an input into the error detection block. If shiftnld=1, the data is shifted from the internal shift register to the regout at each rising edge of clk. If shiftnld=0, the shift register parallel loads either the pre-calculated CRC value or the update register contents depending on the ldsrc port input. This port is required.
.ldsrc (<ldsrc source>)	Input	This signal is an input into the error detection block. If ldsrc=0, the pre-computed CRC register is selected for loading into the 32-bit shift register at the rising edge of clk when shiftnld=0. If ldsrc=1, the signature register (result of the CRC calculation) is selected for loading into the shift register at the rising edge of clk when shiftnld=0. This port is ignored when shiftnld=1. This port is required.
.crcerror (<crcerror out destination>)	Output	This signal is the output of the cell that is synchronized to the internal oscillator of the device (100-MHz or 80-MHz internal oscillator) and not to the clk port. It asserts automatically high if the error block detects that a SRAM bit has flipped and the internal CRC computation has shown a difference with respect to the pre-computed value. This signal must be connected either to an output pin or a bidirectional pin. If it is connected to an output pin, you can only monitor the CRC_ERROR pin (the core cannot access this output). If the CRC_ERROR signal is used by core logic to read error detection logic, this signal must be connected to a BIDIR pin. The signal is fed to the core indirectly by feeding a BIDIR pin that has its oe port connected to V _{CC} .
.regout (<output destination>)	Output	This signal is the output of the error detection shift register synchronized to the clk port, to be read by core logic. It shifts one bit at each cycle. User should clock the clk signal 31 cycles to read out the 32 bits of the shift register. The values at the .regout port are an inversion of the actual values.

Related Information

- [SEU Mitigation and Configuration Error Detection](#) on page 23
- [Error Detection Timing](#) on page 25



3.7. Enabling Data Compression

When you enable compression, the Intel Quartus Prime software generates configuration files with compressed configuration data.

A compressed configuration file is needed to use the dual configuration mode in the internal configuration scheme. This compressed file reduces the storage requirements in internal flash memory, and decreases the time needed to send the bitstream to the Intel MAX 10 device family. There are two methods to enable compression for the Intel MAX 10 device family bitstreams in the Intel Quartus Prime software:

- Before design compilation—using the **Compiler Settings** menu.
- After design compilation—using the **Convert Programming Files** option.

3.7.1. Enabling Compression Before Design Compilation

To enable compression before design compilation, follow these steps:

1. On the **Assignments** menu, click **Device**. The **Settings** dialog box appears.
2. Click **Device and Pin Options**. The **Device and Pin Options** dialog box appears.
3. Click the **Configuration** tab.
4. Turn on **Generate compressed bitstreams**.
5. Click **OK**.
6. In the **Settings** dialog box, click **OK**.

Related Information

[Configuration Data Compression](#) on page 27

3.7.2. Enabling Compression After Design Compilation

To enable compression after design compilation, follow these steps:

1. On the **File** menu, click **Convert Programming Files**.
2. Under **Output programming file**, from the pull-down menu, select your desired file type.
3. If you select the Programmer Object File (**.pof**), you must specify a configuration device, directly under the file type.
4. In the **Input files to convert** box, select **SOF Data**.
5. Click **Add File** to browse to the Intel MAX 10 device family **.sof**.
6. In the **Convert Programming Files** dialog box, select the **.pof** you added to **SOF Data** and click **Properties**.
7. In the **SOF Properties** dialog box, turn on the **Compression** option.

Related Information

[Configuration Data Compression](#) on page 27



3.8. AES Encryption

This section covers detailed guidelines on applying AES Encryption for design security. There are two main steps in applying design security in Intel MAX 10 devices. First is to generate the encryption key programming (.ekp) file and second is to program the .ekp file into the device.

The .ekp file has other different formats, depending on the hardware and system used for programming. There are three file formats supported by the Intel Quartus Prime software:

- JAM Byte Code (.jbc) file
- JAM™ Standard Test and Programming Language (STAPL) Format (.jam) file
- Serial Vector Format (.svf) file

Only the .ekp file type generated automatically from the Intel Quartus Prime software. You must create the .jbc, .jam and .svf files using the Intel Quartus Prime software if these files are required in the key programming.

Note: Intel recommends that you keep the .ekp file confidential.

3.8.1. Generating .ekp File and Encrypt Configuration File

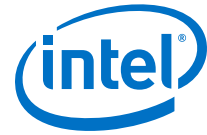
To generate the .ekp file and encrypt your configuration file, follow these steps:

1. On the **File** menu, click **Convert Programming Files**.
2. Under **Output programming file**, select **Programmer Object File (.pof)** in the **Programming file type** list.
3. In the **Mode** list, select **Internal Configuration**.
4. Click **Option/Boot Info** and the **ICB setting** dialog box will appear.
5. You can enable the enable the **Allow encrypted POF** only option. Click **OK** once ICB setting is set.

The device will only accept encrypted bitstream during internal configuration if this option is enabled. If you encrypt one of CFM0, CFM1 or CFM2 only, the Programmer will post a warning.

6. Type the file name in the **File name** field, or **browse** to and select the file.
7. Under the **Input files to convert** section, click **SOF Data**.
8. Click **Add File** to open the **Select Input File** dialog box.
9. Browse to the unencrypted .sof and click **Open**.
10. Under the **Input files to convert** section, click on the added .sof.
11. Click **Properties** and the **SOF Files Properties: Bitstream Encryption** dialog box will appear.
12. Turn on **Generate encrypted bitstream**.
13. Turn on **Generate key programming file** and type the .ekp file path and file name in the text area, or browse to and select <filename>.ekp.
14. You can the key with either a .key file or entering the key manually.

Note: Intel MAX 10 devices require the entry of 128-bit keys.



- Adding key with a .key file.

The .key file is a plain text file in which each line represents a key unless the line starts with "#". The "#" symbol is used to denote comments. Each valid key line has the following format:

```
<key identity><white space><128-bit hexadecimal key>  
# This is an example key file  
key1 0123456789ABCDEF0123456789ABCDEF
```

- Enable the **Use key file** checkbox.
 - Click **Open** and add the desired .key file and click **Open** again.
 - Under **Key entry** part, the key contained in the .key file will be selected in the drop-down list.
 - Click **OK**.
- Entering your key manually.
 - Under **Key entry** part, click the **Add** button.
 - Select the **Key Entry Method** to enter the encryption key either with the **On-screen Keypad** or **Keyboard**.
 - Enter a key name in the **Key Name (alphanumeric)** field.
 - Key in the desired key in the **Key (128-bit hexadecimal)** field and repeat in the **Confirm Key** field below it.
 - Click **OK**.
15. Read the design security feature disclaimer. If you agree, turn on the **acknowledgment** box and click **OK**.
 16. In the **Convert Programming Files** dialog box, click **OK**. The <filename>.ekp and encrypted configuration file will be generated in the same project directory.

Note: For dual configuration .pof file, both .sof file need to be encrypted with the same key. The generation of key file and encrypted configuration file will not be successful if different keys are used.

3.8.2. Generating .jam/.jbc/.svf file from .ekp file

To generate .jam/.jbc/.svf file from .ekp file, follow these steps:

1. On the **Tools** menu, click **Programmer** and the **Programmer** dialog box will appear.
2. In the **Mode** list, select **JTAG** as the programming mode.
3. Click **Hardware Setup**. The **Hardware Setup** dialog box will appear.
4. Select **USBBlaster** as the programming hardware in the **currently selected hardware list** and click **Done**.
5. Click **Add File** and the **Select Programmer File** dialog box will appear.
6. Type <filename>.ekp in the **File name** field and click **Open**.
7. Select the .ekp file you added and click **Program/Configure**.
8. On the **File** menu, point to **Create/Update** and click **Create JAM, SVF, or ISC File**. The **Create JAM, SVF, or ISC File** dialog box will appear.
9. Select the file format required for the .ekp file in the **File format** field.



- JEDEC STAPL Format (.jam)
 - Jam STAPL Byte Code (.jbc)
 - Serial Vector Format (.svf)
10. Type the file name in the **File name** field, or browse to and select the file.
 11. Click **OK** to generate the .jam, .jbc or .svf file.

3.8.3. Programming .ekp File and Encrypted POF File

There are two methods to program the encrypted .pof and .ekp files:

- Program the .ekp and .pof separately.
Note: You only can program the .ekp and .pof separately when **Allow encrypted POF only** option is disabled.
- Integrate the .ekp into .pof and program both altogether.

3.8.3.1. Programming .ekp File and Encrypted .pof Separately

To program the .ekp and encrypted .pof separately using the Intel Quartus Prime software, follow these steps:

1. In the Intel Quartus Prime Programmer, under the **Mode** list, select **JTAG** as the programming mode.
2. Click **Hardware Setup** and the **Hardware Setup** dialog box will appear.
3. Select **USBBlaster** as the programming hardware in the **Currently selected hardware** list and click **Done**.
4. Click **Add File** and the **Select Programmer File** dialog box will appear.
5. Type <filename>.ekp in the **File name** field and click **Open**.
6. Select the .ekp file you added and click **Program/Configure**.
7. Click **Start** to program the key.

Note: The Intel Quartus Prime software message window provides information about the success or failure of the key programming operation. Once the .ekp is programmed, .pof can be programmed separately. To retain the security key in the internal flash that had been programmed through the .ekp, continue with the following steps.

8. Select the .pof to be programmed to the selected device.
9. Check only the functional block that need to be updated at child level for CFM and UFM. Do not check operation at the parent level when using Programmer GUI.
10. After all settings are set, click **Start** to start programming.



3.8.3.2. Integrate the .ekp into .pof Programming

To integrate the .ekp into .pof and program both altogether using the Intel Quartus Prime software, follow these steps:

1. In the Intel Quartus Prime Programmer, under the **Mode** list, select **JTAG** as the programming mode.
2. Click **Hardware Setup** and the **Hardware Setup** dialog box will appear.
3. Select **USBBlaster** as the programming hardware in the **Currently selected hardware** list and click **Done**.
4. Click the **Auto Detect** button on the left pane.
5. Select the .pof you wish to program to the device.
6. Select the <yourpoffile.pof>, right click and select **Add EKP File** to integrate .ekp file with the .pof file.

Once the .ekp is integrated into the .pof, you can to save the integrated .pof into a new .pof. This newly saved file will have original .pof integrated with .ekp information.

7. Select the <yourpoffile.pof> in the **Program/Configure** column.
8. After all settings are set, click **Start** to start programming

3.8.4. Encryption in Internal Configuration

During internal configuration, the FPGA decrypts the .pof with the stored key and uses the decrypted data to configure itself. The configuration image loaded during configuration is also affected by the encryption settings and the **Configure device from CFM0 only** setting.

Table 30. Configuration Image Outcome Based on Encryption Settings, Encryption Key and CONFIG_SEL Pin Settings

Table shows the scenario when you disable the **Configure device from CFM0 only**. Key X and Key Y are security keys included in your device and configuration image.

Configuration Image Mode	CFM0 (image 0) Encryption Key	CFM1 (image 1) Encryption Key	Key Stored in the Device	Allow Encrypted POF Only	CONFIG_SEL pin	Design Loaded After Power-up
Single	Not Encrypted	Not Available	No key	Disabled	0	image 0
Single	Not Encrypted	Not Available	No key	Disabled	1	image 0
Single	Not Encrypted	Not Available	Key X	Disabled	0	image 0
Single	Not Encrypted	Not Available	Key X	Disabled	1	image 0
Single	Not Encrypted	Not Available	Key X	Enabled	0	Configuration Fail
Single	Not Encrypted	Not Available	Key X	Enabled	1	Configuration Fail
Single	Key X	Not Available	No key	Enabled	0	Configuration Fail
Single	Key X	Not Available	No key	Enabled	1	Configuration Fail
Single	Key X	Not Available	Key X	Enabled	0	image 0
Single	Key X	Not Available	Key X	Enabled	1	image 0
Single	Key X	Not Available	Key Y	Enabled	0	Configuration Fail

continued...



Configuration Image Mode	CFM0 (image 0) Encryption Key	CFM1 (image 1) Encryption Key	Key Stored in the Device	Allow Encrypted POF Only	CONFIG_SEL pin	Design Loaded After Power-up
Single	Key X	Not Available	Key Y	Enabled	1	Configuration Fail
Dual	Not Encrypted	Not Encrypted	No key	Disabled	0	image 0
Dual	Not Encrypted	Not Encrypted	No key	Disabled	1	image 1
Dual	Key X	Not Encrypted	No key	Disabled	0	image 1 ⁽¹¹⁾
Dual	Key X	Not Encrypted	No key	Disabled	1	image 1
Dual	Key X	Not Encrypted	Key X	Disabled	0	image 0
Dual	Key X	Not Encrypted	Key X	Disabled	1	image 1
Dual	Key X	Not Encrypted	Key X	Enabled	0	image 0
Dual	Key X	Not Encrypted	Key X	Enabled	1	image 0
Dual	Key X	Not Encrypted	Key Y	Enabled	0	Configuration Fail
Dual	Key X	Not Encrypted	Key Y	Enabled	1	Configuration Fail
Dual	Key X	Key X	No key	Enabled	0	Configuration Fail
Dual	Key X	Key X	No key	Enabled	1	Configuration Fail
Dual	Key X	Key X	Key X	Enabled	0	image 0
Dual	Key X	Key X	Key X	Enabled	1	image 1
Dual	Key X	Key Y	Key X	Enabled	0	image 0
Dual	Key X	Key Y	Key X	Enabled	1	image 0 ⁽¹²⁾
Dual	Key Y	Key Y	Key Y	Enabled	0	image 0
Dual	Key Y	Key Y	Key Y	Enabled	1	image 1
Dual	Key X	Key Y	Key Y	Enabled	0	image 1 ⁽¹¹⁾
Dual	Key X	Key Y	Key Y	Enabled	1	image 1

Table 31. Configuration Image Outcome Based on Encryption Settings and Encryption Key

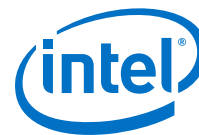
Table shows the scenario when you enable the **Configure device from CFM0 only**.

CFM0 (image 0) Encryption Key	Key Stored in the Device	Allow Encrypted POF Only	Design Loaded After Power-up
Not Encrypted	No key	Disabled	image 0
Not Encrypted	Key X	Disabled	image 0
Not Encrypted	Key Y	Disabled	image 0
Not Encrypted	No key	Enabled	Configuration Fail
Not Encrypted	Key X	Enabled	Configuration Fail
Not Encrypted	Key Y	Enabled	Configuration Fail

continued...

⁽¹¹⁾ After image 0 configuration failed, device will automatically load image 1.

⁽¹²⁾ After image 1 configuration failed, device will automatically load image 0.



CFM0 (image 0) Encryption Key	Key Stored in the Device	Allow Encrypted POF Only	Design Loaded After Power-up
Key X	No key	Disabled	Configuration Fail
Key X	Key X	Disabled	image 0
Key X	Key Y	Disabled	Configuration Fail
Key X	No key	Enabled	Configuration Fail
Key X	Key X	Enabled	image 0
Key X	Key Y	Enabled	Configuration Fail
Key Y	No key	Disabled	Configuration Fail
Key Y	Key X	Disabled	Configuration Fail
Key Y	Key Y	Disabled	image 0
Key Y	No key	Enabled	Configuration Fail
Key Y	Key X	Enabled	Configuration Fail
Key Y	Key Y	Enabled	image 0

Related Information

[Generating .pof using Convert Programming Files](#) on page 39

3.9. Intel MAX 10 JTAG Secure Design Example

This design example demonstrates the instantiation of internal JTAG WYSIWYG atom and the example of user logic implementation in the Intel Quartus Prime software to execute the LOCK and UNLOCK JTAG instructions. This design example is targeted for Intel MAX 10 devices with the JTAG Secure Mode enabled.

Related Information

- [JTAG Instruction Availability](#) on page 22
- [Configuration Flash Memory Permissions](#) on page 23
- [JTAG Secure Design Example](#)

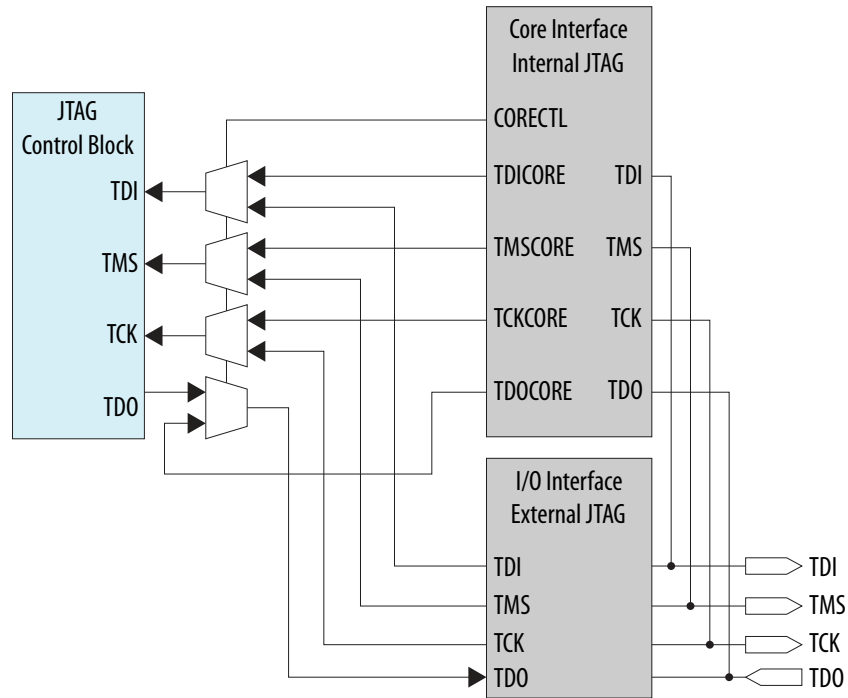
3.9.1. Internal JTAG Interface

There are two interfaces to access the JTAG control block in Intel MAX 10 devices:

- External JTAG interface—connection of the JTAG control block from the physical JTAG pins; TCK, TDI, TDO, and TMS.
- Internal JTAG interface—connection of the JTAG control block from the internal FPGA core fabric.

You can only access the JTAG control block using either external or internal JTAG interface one at a time. External JTAG interface are commonly used for JTAG configuration using programming cable. To access the internal JTAG interface, you must include the WYSIWYG atom in your Intel Quartus Prime software design.

Figure 15. Internal and External JTAG Interface Connections



Note: To ensure the internal JTAG of Intel MAX 10 devices function correctly, all four JTAG signals (TCK, TDI, TMS and TDO) in the JTAG WYSIWYG atom need to be routed out. The Intel Quartus Prime software will automatically assign the ports to their corresponding dedicated JTAG pins.

3.9.2. WYSIWYG Atom for Internal JTAG Block Access

The following example shows how the input and output ports of a WYSIWYG atom are defined in the Intel MAX 10 device.

```
fiftyfivenm_jtag <name>
(
    .tms(),
    .tck(),
    .tdi(),
    .tdoutap(),
    .tdouser(),
    .tdicore(),
    .tmscore(),
    .tckcore(),
    .corectl(),
    .tdo(),
    .tmsutap(),
    .tckutap(),
    .tdiutap(),
    .shiftuser(),
    .clkdruser(),
    .updateuser(),
    .runidleuser(),
    .usruser(),
    .tdocore(),
    .ntdopinena()
);
```

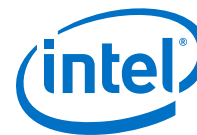


Table 32. Port Description

Ports	Input/Output	Functions
<name>	—	Identifier for the Intel MAX 10 JTAG WYSIWYG atom and represents any identifier name that is legal for the given description language, such as Verilog HDL, VHDL, and AHDL.
.corectl()	Input	Active high input to the JTAG control block to enable the internal JTAG access from core interface. When the FPGA enters user mode after configuration, this port is low by default. Pulling this port to logic high will enable the internal JTAG interface (with external JTAG interface disabled at the same time) and pulling this port to logic low will disable the internal JTAG interface (with external JTAG interface enabled at the same time).
.tckcore()	Input	Core tck signal
.tdicore()	Input	Core tdi signal
.tmscore()	Input	Core tms signal
.tdocore()	Output	Core tdo signal
.tck()	Input	Pin tck signal
.tdi()	Input	Pin tdi signal
.tms()	Input	Pin tms signal
.tdo()	Output	Pin tdo signal
.clkdruser() .runidleuser() .shiftuser() .tckutap() .tdiutap() .tdouser() .tdoutap() .tmsutap() .updateuser() .usr1user() .ntdopinena()	Input/Output	These ports are not used for enabling the JTAG Secure mode using the internal JTAG interface, you can leave them unconnected.

3.9.3. Executing LOCK and UNLOCK JTAG Instructions

When you configure this reference design into a Intel MAX 10 device with the JTAG Secure mode enabled, the device is in JTAG Secure mode after power-up and configuration.

To disable the JTAG Secure mode, trigger the `start_unlock` port of the user logic to issue the UNLOCK JTAG instruction. After the UNLOCK JTAG instruction is issued, the device exits from JTAG secure mode. When the the JTAG Secure mode is disabled, you can choose to full-chip erase the internal flash of Intel MAX 10 device to disable the JTAG Secure mode permanently.

The `start_lock` port in the user logic triggers the execution of the `LOCK` JTAG instruction. Executing this instruction enables the JTAG Secure mode of the Intel MAX 10 device.

Figure 16. LOCK or UNLOCK JTAG Instruction Execution

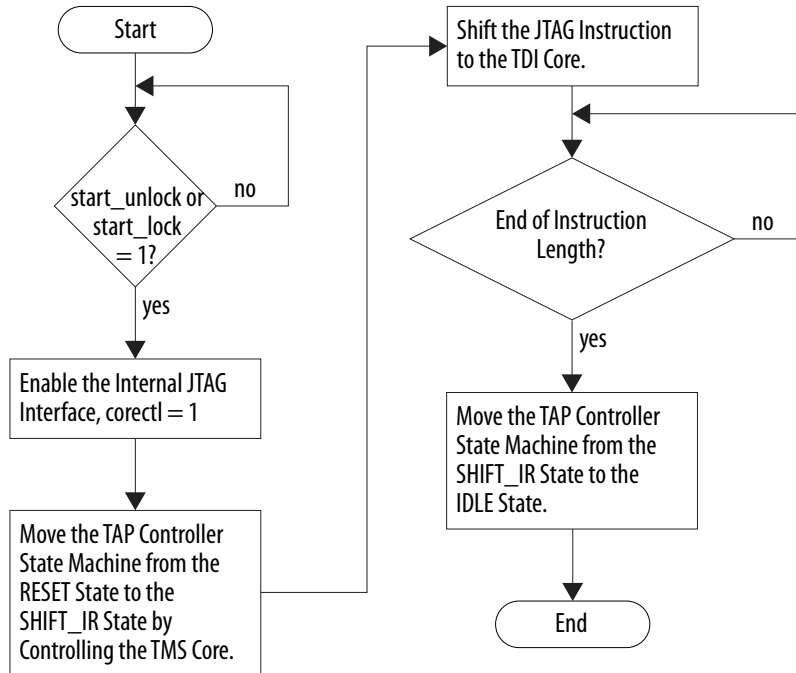


Table 33. Input and Output Port of the User Logic

Port	Input/Output	Function
<code>clk_in</code>	Input	Clock source for the user logic. The f_{MAX} of the user logic depends on the timing closure analysis. You need to apply timing constraint and perform timing analysis on the path to determine the f_{MAX} .
<code>start_lock</code>	Input	Triggers the execution of the <code>LOCK</code> JTAG instruction to the internal JTAG interface. Pulse signal high for at least 1 clock cycle to trigger.
<code>start_unlock</code>	Input	Triggers the execution of the <code>UNLOCK</code> JTAG instruction to the internal JTAG interface. Pulse signal high for at least 1 clock cycle to trigger.
<code>jtag_core_en_out</code>	Output	Output to the JTAG WYSIWYG atom. This port is connected to the <code>corectl</code> port of the JTAG WYSIWYG atom to enable the internal JTAG interface.
<code>tck_out</code>	Output	Output to the JTAG WYSIWYG atom. This port is connected to the <code>tck_core</code> port of the JTAG WYSIWYG atom.
<code>tdi_out</code>	Output	Output to the JTAG WYSIWYG atom. This port is connected to the <code>tdi_core</code> port of the JTAG WYSIWYG atom.
<code>tms_out</code>	Output	Output to the JTAG WYSIWYG atom. This port is connected to the <code>tms_core</code> port of the JTAG WYSIWYG atom.
<code>indicator</code>	Output	Logic high of this output pin indicates the completion of the <code>LOCK</code> or <code>UNLOCK</code> JTAG instruction execution.



3.9.4. Verifying the JTAG Secure Mode

You can verify whether your device has successfully entered or exited JTAG secure mode by executing a non-mandatory JTAG instruction.

Note: You must instantiate the internal JTAG interface for you unlock the external JTAG when the device is in JTAG Secure mode.

When you enable the JTAG Secure option, the Intel MAX 10 device will be in the JTAG Secure mode after power-up. To validate the JTAG Secure feature in your design example, perform these steps:

1. Configure the reference design .pof file into the device with JTAG Secure mode enabled. After power cycle, the device should be in JTAG Secure mode.
2. You can ensure that the device enters user mode successfully by observing one of the following:
 - CONF_DONE pin goes high
 - counter_output pin starts toggling
3. Issue the PULSE_NCONFIG JTAG instruction using the external JTAG pins to reconfigure the device. You can use the pulse_ncfg.jam file attached in the design example. To execute the pulse_ncfg.jam file, you can use the quartus_jli or the JAM player. You can ensure that the device does not reconfigure by observing one of the following:
 - CONF_DONE pin stays high
 - counter_output pin continues toggling

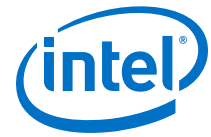
Unsuccessful reconfiguration verifies that the device is currently in JTAG Secure mode.

4. Pull the start_unlock port of the user logic to logic high to execute the UNLOCK JTAG instruction.

The indicator port goes high after the UNLOCK JTAG instruction is complete.

5. Issue the PULSE_NCONFIG JTAG instruction using the external JTAG pins to reconfigure the device. You can ensure that the device reconfigures successfully by observing one of the following:
 - CONF_DONE pin is low
 - counter_output pin stops toggling

Successful reconfiguration verifies that the device is currently not in JTAG Secure mode.



4. Intel MAX 10 FPGA Configuration IP Core Implementation Guides

Related Information

- [Introduction to Intel FPGA IP Cores](#)
Provides general information about all Intel FPGA IP cores, including parameterizing, generating, upgrading, and simulating IP cores.
- [Creating Version-Independent IP and Qsys Simulation Scripts](#)
Create simulation scripts that do not require manual updates for software or IP version upgrades.
- [Project Management Best Practices](#)
Guidelines for efficient management and portability of your project and IP files.

4.1. Altera Unique Chip ID IP Core

This section provides the guideline to implement the Altera Unique Chip ID IP Core.

Related Information

- [Unique Chip ID](#) on page 21
- [Altera Unique Chip ID IP Core Ports](#) on page 62

4.1.1. Instantiating the Altera Unique Chip ID IP Core

To instantiate the Altera Unique Chip ID IP Core, follow these steps:

1. On the Tools menu of the Intel Quartus Prime software, click **IP Catalog**.
2. Under the Library category, expand the Basic Functions and Configuration Programming.
3. Select **Altera Unique Chip ID** and click **Add**, and enter your desired output file name
4. In the Save IP Variation dialog box:
 - Set your IP variation filename and directory.
 - Select IP variation file type.
5. Click **Finish**.

4.1.2. Resetting the Altera Unique Chip ID IP Core



To reset the Altera Unique Chip ID IP core, you must assert high to the `reset` signal for at least one clock cycle. After you de-assert the `reset` signal, the Altera Unique Chip ID IP core re-reads the unique chip ID of your device from the fuse ID block. The Altera Unique Chip ID IP core asserts the `data_valid` signal after completing the operation.

4.2. Altera Dual Configuration IP Core

This section provides the guideline to implement the Altera Dual Configuration IP Core.

4.2.1. Instantiating the Altera Dual Configuration IP Core

To instantiate the Altera Dual Configuration IP Core, follow these steps:

1. On the Tools menu of the Intel Quartus Prime software, click **IP Catalog**.
2. Under the Library category, expand the Basic Functions and Configuration Programming.
3. Select **Altera Dual Configuration** and after clicking **Add**, the IP Parameter Editor appears.
4. In the New IP Instance dialog box:
 - Set the top-level name of your IP.
 - Select the Device family.
 - Select the Device
5. Click **OK**.



5. Altera Dual Configuration IP Core References

Related Information

- [Altera Dual Configuration IP Core](#) on page 19
- [Accessing Remote System Upgrade through User Logic](#) on page 42
- [AN 741: Remote System Upgrade for MAX 10 FPGA Devices over UART with the Nios II Processor](#)
Provides reference design for remote system upgrade in MAX 10 FPGA devices.
- [I2C Remote System Update Example](#)
This example demonstrates a remote system upgrade using the I2C protocol.

5.1. Altera Dual Configuration IP Core Avalon-MM Address Map

Table 34. Altera Dual Configuration IP Core Avalon-MM Address Map for Intel MAX 10 Devices

- Intel recommends you to set the reserve bits to 0 for write operations. For read operations, the IP core will always generate 0 as the output.
- Write 1 to trigger any operation stated in the description.
- You need to trigger the desired operation from offset 2 before any read operation of offset 4, 5, 6 and 7.

Offset	R/W	Width (Bits)	Description
0	W	32	<ul style="list-style-type: none"> • Bit 0—trigger reconfiguration. • Bit 1—reset the watchdog timer. • Bit 31:2—reserved. Signals are triggered at the same write cycle on Avalon.
1	W	32	<ul style="list-style-type: none"> • Bit 0—trigger <code>config_sel_overwrite</code> to the input register. • Bit 1—writes <code>config_sel</code> to the input register. Set 0 or 1 to load from configuration image 0 or 1 respectively. • Bit 31:2—reserved. The <code>busy</code> signal is generated right after the write cycle, while the configuration image information is registered. Once <code>busy</code> signal is high, writing to this address is ignored until the process is completed and the <code>busy</code> signal is de-asserted.
2	W	32	<ul style="list-style-type: none"> • Bit 0—trigger read operation from the user watchdog. • Bit 1—trigger read operation from the previous state application 2 register. • Bit 2—trigger read operation from the previous state application 1 register. • Bit 3—trigger read operation from the input register. • Bit 31:4—reserved. The <code>busy</code> signal is generated right after the write cycle.
3	R	32	<ul style="list-style-type: none"> • Bit 0—IP <code>busy</code> signal. • Bit 31:1—reserved.

continued...

Intel Corporation. All rights reserved. Intel, the Intel logo, Altera, Arria, Cyclone, Enpirion, MAX, Nios, Quartus and Stratix words and logos are trademarks of Intel Corporation or its subsidiaries in the U.S. and/or other countries. Intel warrants performance of its FPGA and semiconductor products to current specifications in accordance with Intel's standard warranty, but reserves the right to make changes to any products and services at any time without notice. Intel assumes no responsibility or liability arising out of the application or use of any information, product, or service described herein except as expressly agreed to in writing by Intel. Intel customers are advised to obtain the latest version of device specifications before relying on any published information and before placing orders for products or services.

*Other names and brands may be claimed as the property of others.

ISO
9001:2008
Registered



Offset	R/W	Width (Bits)	Description
			The busy signal indicates the Dual Configuration IP core is in the writing or reading process. In this state, all write operation to the remote system upgrade block registers operation request are ignored except for triggering the reset timer. Intel recommends you to pull this busy signal once you triggered any read or write process.
4	R	32	<ul style="list-style-type: none"> Bit 11:0—user watchdog value.⁽¹³⁾ Bit 12—current state of the user watchdog. Bit 16:13—msm_cs value of the current state. Bit 31:17—reserved.
5	R	32	<ul style="list-style-type: none"> Bit 3:0—previous state application 1 reconfiguration source value from the <i>Remote System Upgrade Status Register—Previous StateBit for MAX 10 Devices</i> table. Bit 7:4—msm_cs value of the previous state application 1. Bit 31:8—reserved.
6	R	32	<ul style="list-style-type: none"> Bit 3:0—previous state application 2 reconfiguration source value from the <i>Remote System Upgrade Status Register—Previous StateBit for MAX 10 Devices</i> table. Bit 7:4—msm_cs value of the previous state application 2. Bit 31:8—reserved.
7	R	32	<ul style="list-style-type: none"> Bit 0—config_sel_overwrite value from the input register. Bit 1—config_sel value of the input register.⁽¹⁴⁾ Bit 31:2—reserved.

Related Information

- [Altera Dual Configuration IP Core](#) on page 19
- [Avalon Interface Specifications](#)
Provides more information about the Avalon-MM interface specifications applied in Altera Dual Configuration IP Core.
- [Instantiating the Altera Dual Configuration IP Core](#) on page 59
- [Remote System Upgrade Status Registers](#) on page 18
The Remote System Upgrade Status Register—Previous StateBit for MAX 10 Devices table provides more information about previous state applications reconfiguration sources.

5.2. Altera Dual Configuration IP Core Parameters

Table 35. Altera Dual Configuration IP Core Parameter for Intel MAX 10

Parameter	Value	Description
Clock frequency	Up to 80MHz	Specifies the number of cycle to assert RU_nRSTIMER and RU_nCONFIG signals. Note that maximum RU_CLK is 40 Mhz, Altera Dual Configuration IP Core has restriction to run at 80 Mhz maximum, which is twice faster than hardware limitation. This is because Altera Dual Configuration IP Core generate RU_CLK at half rate of the input frequency.

⁽¹³⁾ You can only read the 12 most significant bit of the 29 bit user watchdog value using Dual Configuration IP Core.

⁽¹⁴⁾ Reads the config_sel of the input register only. It will not reflect the physical CONFIG_SEL pin setting.



6. Altera Unique Chip ID IP Core References

6.1. Altera Unique Chip ID IP Core Ports

Table 36. Altera Unique Chip ID IP Core Ports

Port	Input/Output	Width (Bits)	Description
clk_in	Input	1	<ul style="list-style-type: none"> Feeds clock signal to the unique chip ID block. The maximum supported frequency is 100 MHz. When you provide a clock signal, the IP core reads the value of the unique chip ID and sends the value to the <code>chip_id</code> output port.
reset	Input	1	<ul style="list-style-type: none"> Resets the IP core when you assert the <code>reset</code> signal to high for at least one clock cycle. The <code>chip_id [63:0]</code> output port holds the value of the unique chip ID until you reconfigure the device or reset the IP core.
data_valid	Output	1	<ul style="list-style-type: none"> Indicates that the unique chip ID is ready for retrieval. If the signal is low, the IP core is in initial state or in progress to load data from a fuse ID. After the IP core asserts the signal, the data is ready for retrieval at the <code>chip_id[63..0]</code> output port.
chip_id	Output	64	<ul style="list-style-type: none"> Indicates the unique chip ID according to its respective fuse ID location. The data is only valid after the IP core asserts the <code>data_valid</code> signal. The value at power-up resets to 0.

Intel Corporation. All rights reserved. Intel, the Intel logo, Altera, Arria, Cyclone, Enpirion, MAX, Nios, Quartus and Stratix words and logos are trademarks of Intel Corporation or its subsidiaries in the U.S. and/or other countries. Intel warrants performance of its FPGA and semiconductor products to current specifications in accordance with Intel's standard warranty, but reserves the right to make changes to any products and services at any time without notice. Intel assumes no responsibility or liability arising out of the application or use of any information, product, or service described herein except as expressly agreed to in writing by Intel. Intel customers are advised to obtain the latest version of device specifications before relying on any published information and before placing orders for products or services.

*Other names and brands may be claimed as the property of others.

ISO
9001:2008
Registered



A. Additional Information for Intel MAX 10 FPGA Configuration User Guide

A.1. Document Revision History for Intel MAX 10 FPGA Configuration User Guide

Document Version	Changes
2018.06.01	Added 1 as valid value for n in <i>Minimum and Maximum Error Detection Frequencies for Intel MAX 10 Devices</i> table.
2018.02.12	Added steps to generate third-party programming tool files (.jbc, .jam, and .svf).

Date	Version	Changes
July 2017	2017.07.20	<ul style="list-style-type: none"> Updated CFM term to configuration flash memory in <i>High-Level Overview of JTAG Configuration and Internal Configuration for MAX 10 Devices</i> figure. Added BST definition that is boundary-scan test.
June 2017	2017.06.15	Updated methods to clear the CRC error and restore the original CRC value in <i>Verifying Error Detection Functionality</i> .
April 2017	2017.04.06	Updated <i>Auto-reconfigure from secondary image when initial image fails (enabled by default)</i> option to <i>Configure device from CFM0 only</i> reflecting user interface update.
February 2017	2017.02.21	Rebranded as Intel.
October 2016	2016.10.31	<ul style="list-style-type: none"> Updated <i>Voltage Overshoot Prevention</i> description. Updated note in <i>Connection Setup for JTAG Single-Device Configuration using Download Cable</i> and <i>Connection Setup for JTAG Multi-Device Configuration using Download Cable</i> figures. Added steps to implement ISP clamp feature. Updated <i>Configuration Flash Memory Sectors Utilization for all Intel MAX 10 with Analog and Flash Feature Options</i> figure to include UFM sectors.
May 2016	2016.05.13	<ul style="list-style-type: none"> Changed instances of Standard POR to Slow POR to reflect Intel Quartus Prime GUI. Updated t_{CFG} to $t_{RU_nCONFIG}$. Corrected file type from .ekp to .pof in Step 8 of <i>Programming .ekp File and Encrypted .pof Separately</i>. Corrected Use secondary image ISP data as default setting when available description in <i>ICB Values and Descriptions for Intel MAX 10 Devices</i> table. Corrected CFM programming time. Added note on JTAG pin requirements when using JTAG pin sharing. Moved <i>JTAG Pin Sharing Behavior</i> under <i>Guidelines: Dual-Purpose Configuration Pin</i>. Updated configuration sequence diagram by moving 'Clears configuration RAM bits from Power-up state to Reset state.

continued...

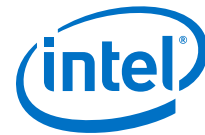
Intel Corporation. All rights reserved. Intel, the Intel logo, Altera, Arria, Cyclone, Enpirion, MAX, Nios, Quartus and Stratix words and logos are trademarks of Intel Corporation or its subsidiaries in the U.S. and/or other countries. Intel warrants performance of its FPGA and semiconductor products to current specifications in accordance with Intel's standard warranty, but reserves the right to make changes to any products and services at any time without notice. Intel assumes no responsibility or liability arising out of the application or use of any information, product, or service described herein except as expressly agreed to in writing by Intel. Intel customers are advised to obtain the latest version of device specifications before relying on any published information and before placing orders for products or services.

*Other names and brands may be claimed as the property of others.

**ISO
9001:2008
Registered**



Date	Version	Changes
		<ul style="list-style-type: none"> • Corrected error detection port input and output for <crclblock_name> from input to none. • Added example of remote system upgrade access through user interface and port definitions. • Removed preliminary terms for <i>Error Detection Frequency</i> and <i>Cyclic Redundancy Check Calculation Timing</i>. • Added <i>Connection Setup for JTAG Multi-Device Configuration using Download Cable</i> diagram. • Updated <i>Connection Setup for JTAG Single-Device Configuration using Download Cable</i> diagram. • Added new JTAG Secure design example. • Edited Remote System Upgrade section title by removing in Dual Image Configuration. • Updated <i>Monitored Power Supplies Ramp Time Requirement for MAX 10 Devices</i> table. • Added <i>Internal Configuration Time</i>. • Removed Instant ON feature. • Updated User Flash Memory instances to additional UFM in <i>Configuration Flash Memory Sectors Utilization for all MAX 10 with Analog and Flash Feature Options</i> figure.
December	2015.12.14	<ul style="list-style-type: none"> • Updated ICB setting description for <i>Set I/O to weak pull-up prior usermode</i> option to state the weak pull-up is enabled during configuration. • Removed <i>Accessing the Remote System Upgrade Block Through User Interface</i>. • Added input and output port definition for error detection WYSIWYG atom. • Updated the I/O pin state to be dependent on ICB bit setting during reconfiguration.
November 2015	2015.11.02	<ul style="list-style-type: none"> • Removed JRunner support for JTAG configuration and link to AN 414. • Updated differences in supported internal configuration mode supported based on device feature options in a table. • Removed maximum number of compressed configuration image table do to redundancy. • Updated Initialization Configuration Bits setting and description to reflect Quartus Prime 15.1 update. • Updated Enable JTAG pin sharing and Enable nCONFIG, nSTATUS, and CONF_DONE pins to reflect Quartus II 15.1 update. • Added information about ISP clamp feature. • Updated information about steps to generate Raw Programming Data (.rpd). • Renamed section title from <i>Configuration Total Flash Memory Programming Time</i> to <i>Configuration Flash Memory Programming Time</i>. • Renamed table title from <i>Configuration Total Flash Memory Programming Time for Sectors in Intel MAX 10 Devices</i> to <i>Configuration Flash Memory Programming Time for Sectors in Intel MAX 10 Devices</i>. • Added note to <i>Configuration Flash Memory Programming Time for Sectors in Intel MAX 10 Devices</i> table. • Added information about internal JTAG interface and accessing internal JTAG block through user interface. • Added Intel MAX 10 JTAG Secure design example.
continued...		



Date	Version	Changes
June 2015	2015.06.15	<ul style="list-style-type: none"> • Added related information link to AN 741: Remote System Upgrade for MAX 10 FPGA Devices over UART with the Nios II Processor in <i>Altera Dual Configuration IP Core References</i> and <i>Remote System Upgrade in Dual Compressed Images</i>. • Added pulse holding requirement time for RU_nRSTIMER in <i>Remote System Upgrade Circuitry Signals for Intel MAX 10 Devices</i> table. • Added link to <i>Remote System Upgrade Status Register—Previous State Bit for Intel MAX 10 Devices</i> table for related entries in <i>Altera Dual Configuration IP Core Avalon-MM Address Map for Intel MAX 10 Devices</i> table.
May 2015	2015.05.04	<ul style="list-style-type: none"> • Rearranged and updated Configuration Setting names 'Initialization Configuration Bits for MAX 10 Devices' table. • Updated 'High-Level Overview of Internal Configuration for MAX 10 Devices' figure with JTAG configuration and moved the figure to 'Configuration Schemes' section. • Added link to corresponding description of configuration settings in 'Initialization Configuration Bits for MAX 10 Devices' table. • Updated the default watchdog time value from hexadecimal to decimal value in 'Initialization Configuration Bits for MAX 10 Devices' table. • Updated the ISP data description in 'Initialization Configuration Bits for MAX 10 Devices' table. • Updated 'User Watchdog Timer' by adding time-out formula. • Added link to 'User Watchdog Internal Circuitry Timing Specifications' in MAX 10 FPGA Device Datasheet. • Added footnote to indicate that JTAG secure is disabled by default and require Altera support to enable in 'Initialization Configuration Bits for MAX 10 Devices' table. • Updated minimum and maximum CRC calculation time for divisor 2. • Updated remote system upgrade flow diagram. • Updated 'Encryption in Internal Configuration' table by adding 'Key' terms and changed Image 1 and Image 2 to Image 0 and Image 1 respectively. • Added footnote to 'Encryption in Internal Configuration' to indicate auto-reconfiguration when image fails. • Added formula to calculate minimum and maximum CRC calculation time for other than divisor 2. • Added caution when JTAG Secure is turned on. • Added information about auto-generated .pof for certain type of internal configuration modes. • Added .pof and ICB setting guide through Device and Pin Options and convert programming file. • Added configuration RAM (CRAM) in 'Overview' • Editorial changes.
December 2014	2014.12.15	<ul style="list-style-type: none"> • Rename BOOT_SEL pin to CONFIG_SEL pin. • Update Altera IP Core name from Dual Boot IP Core to Altera Dual Configuration IP Core. • Added information about the AES encryption key part of ICB. • Added encryption feature guidelines. • Updated ICB settings options available in 14.1 release. • Updated Programmer options on CFM programming available in 14.1 release.
September 2014	2014.09.22	Initial release.