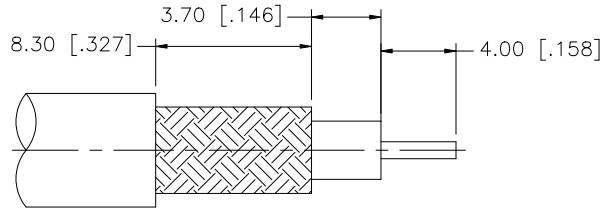
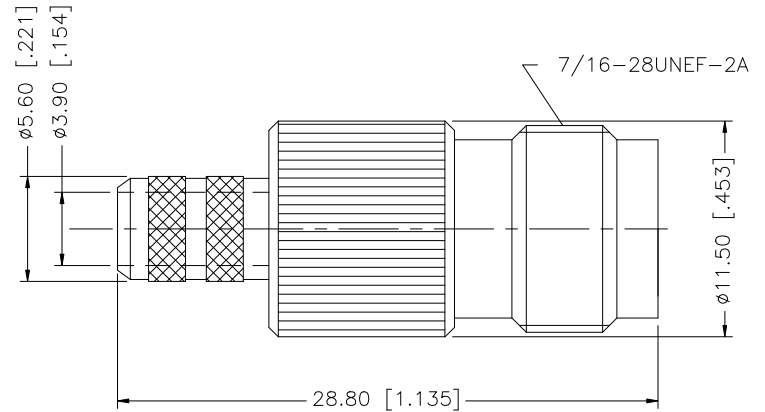
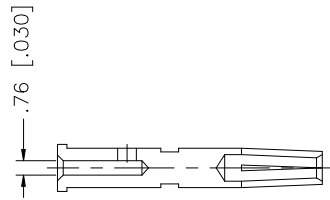
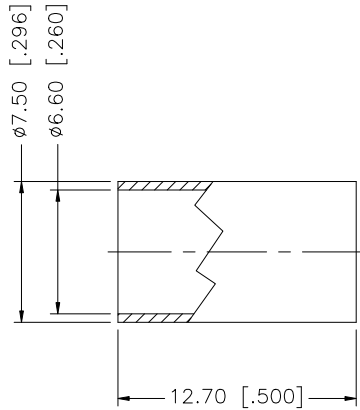


REV.	DATE	ECR NO.	DESCRIPTION
NC	02/03/09	-	INITIAL RELEASE



RECOMMENDED
CABLE STRIPPING DIM'S



8			
7			
6			
5	FERRULE	COPPER	NICKEL
4	CONTACT PIN	PHOS. BRONZE	GOLD
3	INSULATOR	PTFE	NATURAL
2	BODY	BRASS	NICKEL
1	HOUSING	BRASS	NICKEL
	DESCRIPTION	MATERIAL	FINISH
			QTY

UNLESS OTHERWISE SPECIFIED DIMENSIONS ARE IN MILLIMETERS. DIMENSIONS IN [] ARE IN INCHES AND FOR CUSTOMER REFERENCE ONLY.

UNLESS OTHERWISE SPECIFIED TOLERANCES FOR MILLIMETERS ARE:
0.5 - 8mm ± 0.20mm
8 - 30mm ± 0.40mm
30 - 120mm ± 0.50mm

UNLESS OTHERWISE SPECIFIED TOLERANCES FOR INCHES ARE:
.020 - .315 = ± 0.007"
.315 - 1.180 = ± 0.015"
1.180 - 4.724 = ± 0.020"

DO NOT SCALE DRAWING

APPROVALS	DATE
DRAWN GRS	02/03/09
CHECKED	
ISSUED	
SHEET 1 OF 1	
CAD FILE	C:/122/122124.DWG

Amphenol Connex

PART DESCRIPTION
TNC CRIMP JACK

PART NO.
122124

DWG. NO.	122124.DWG	REV.	NC	SIZE	A	SCALE	NA
----------	------------	------	----	------	---	-------	----