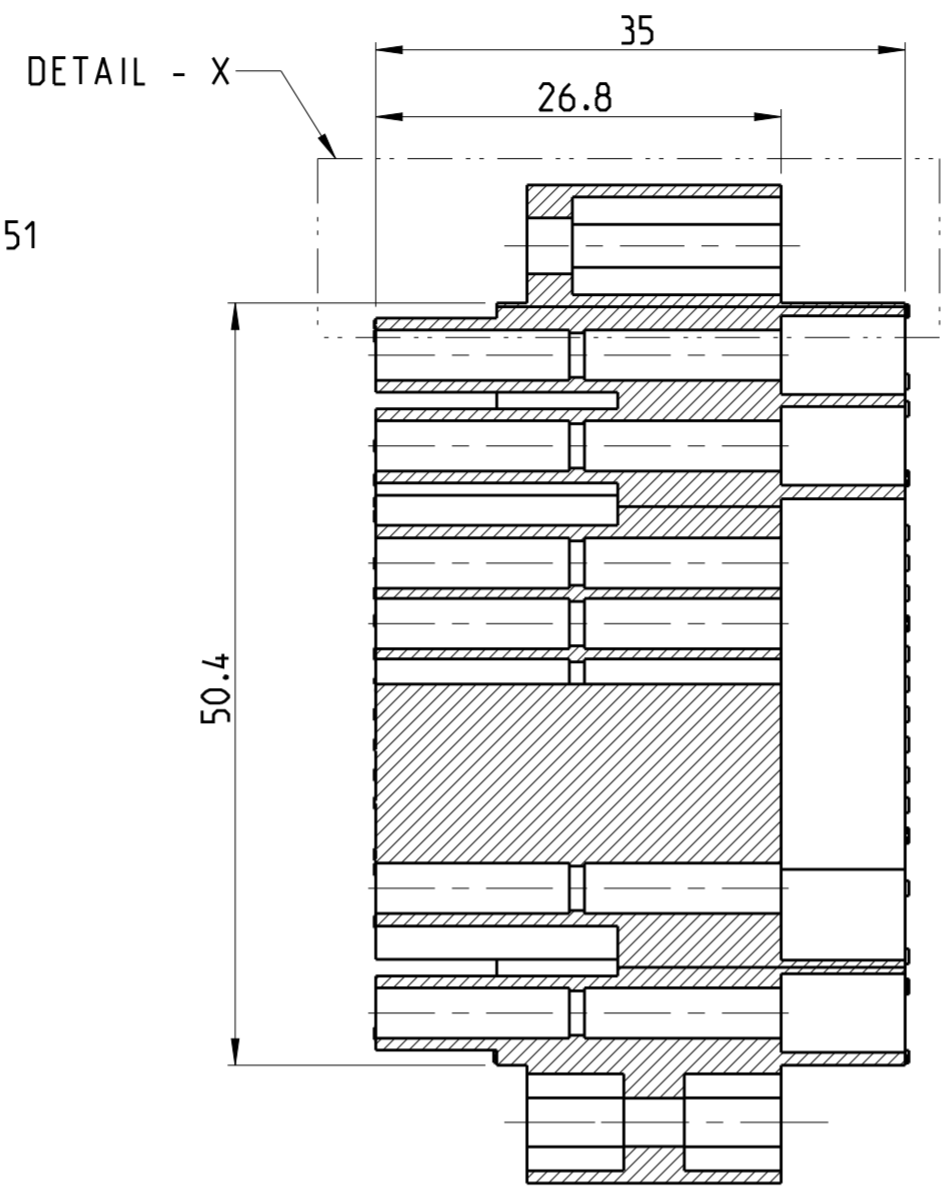
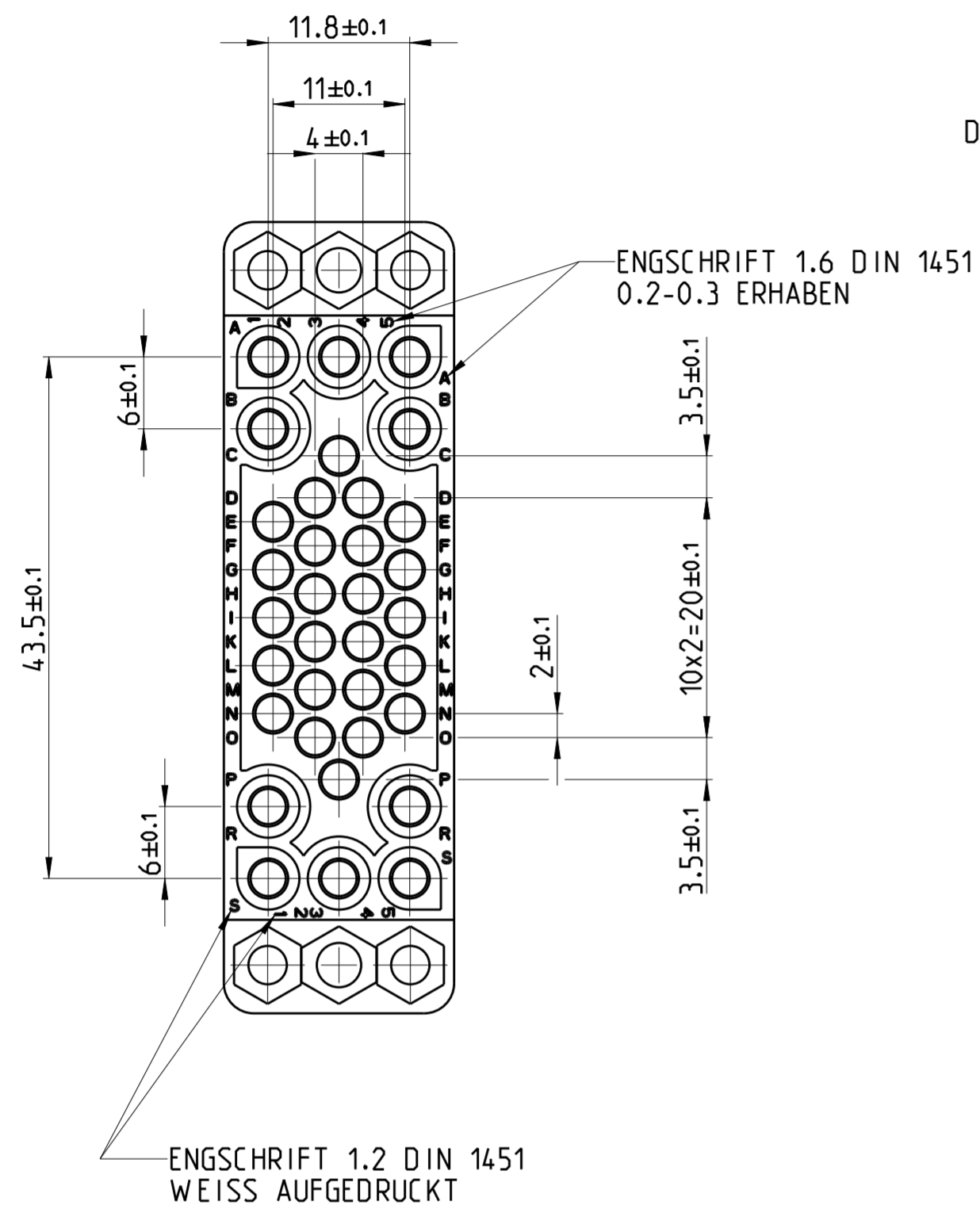


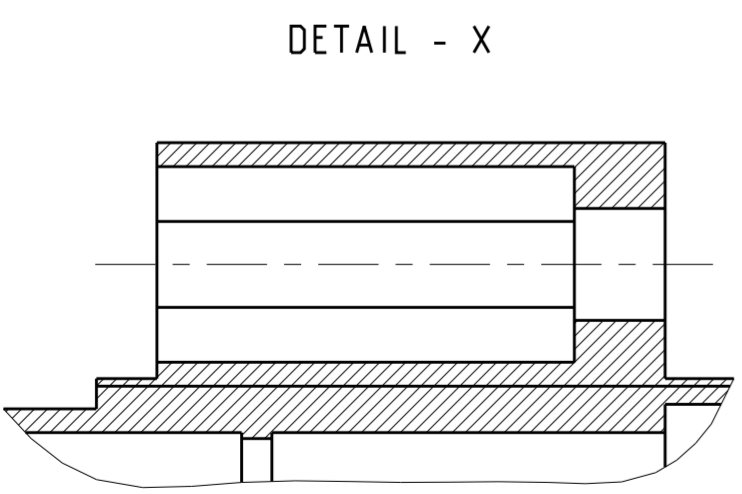
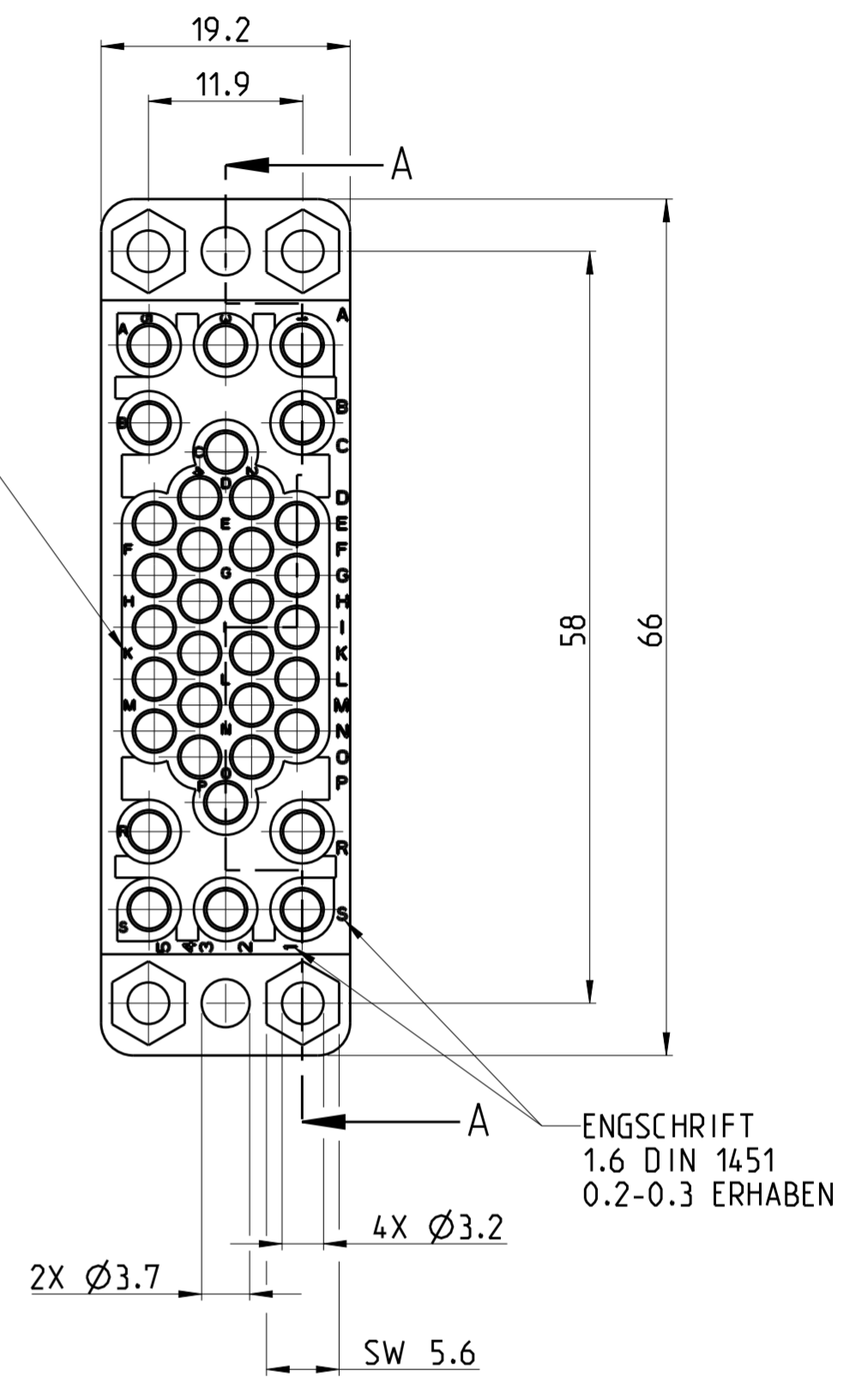
THIS DRAWING IS UNPUBLISHED. RELEASED FOR PUBLICATION 20
 © COPYRIGHT 20 BY - ALL RIGHTS RESERVED.

REVISIONS					
P	LTR	DESCRIPTION	DATE	DWN	APVD
B2		DIM 12.1 CORRECTED TO 11.8 IN ZONE D4	27JAN2014	TJ	JK



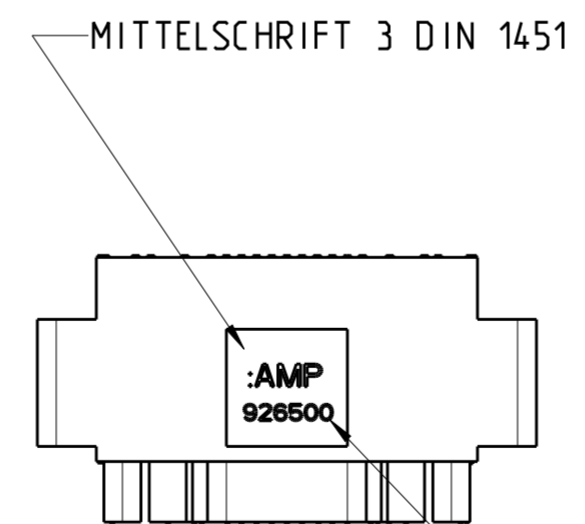
SECTION A-A

ENGSCRIFT 1.2 DIN 1451 WEISS AUFGEDRUCKT



DETAIL - X

926500-2 ²
OBSELETE



MITTELSCHRIFT 3 DIN 1451

BESTELL-NR: MITTELSCHRIFT 2 DIN 1451

- 1 RYTON R-4 (PPS 40% GLASFASERN)
- 2 OBSOLETE PARTS: OBSOLETE CIS STREAMLLINING PER D.RENAUD/D.SINSI

2	SEE DETAIL-X	926500-2	1	SCHWARZ
		926500-1	1	SCHWARZ
	Bestell-Nr.	Werkstoff		Oberfläche

THIS DRAWING IS A CONTROLLED DOCUMENT.

DIMENSIONS: mm	TOLERANCES UNLESS OTHERWISE SPECIFIED: ±0.2mm	DWN MOHAMMED THAJUDEEN 26NOV2013	TE Connectivity
MATERIAL	FINISH	CHK PRASHANTH 26NOV2013	
SEE TABLE	SEE TABLE	APVD JAYANTH KUMAR 26NOV2013	NAME
		PRODUCT SPEC	34 POS. M-SERIES HOUSING
		APPLICATION SPEC	SIZE CAGE CODE DRAWING NO RESTRICTED TO
		WEIGHT	A2 - C-926500 -
		CUSTOMER DRAWING	SCALE 2:1 SHEET 1 OF 1 REV B2