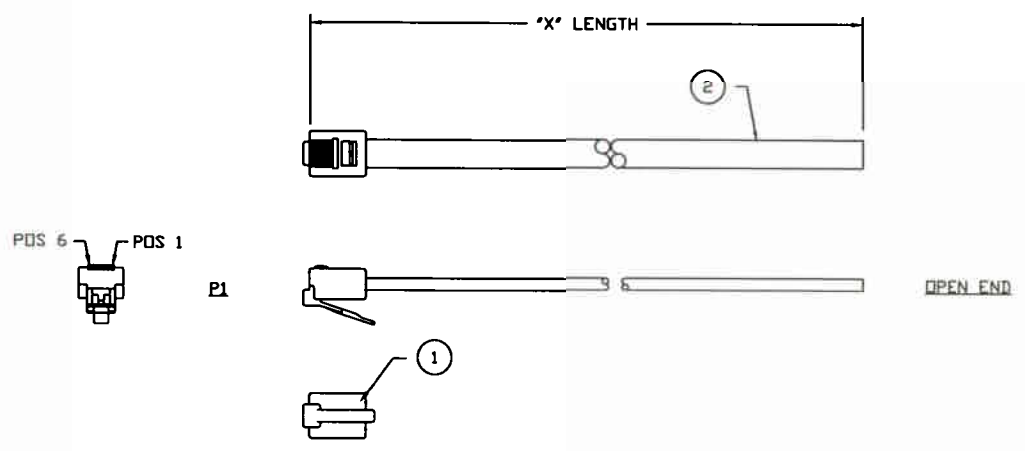


THESE DRAWINGS AND SPECIFICATIONS ARE THE SOLE PROPERTY OF I/O INTERCONNECT INC. AND SHALL NOT BE REPRODUCED, COPIED, OR USED IN ANY MANNER WITHOUT THE PRIOR WRITTEN CONSENT OF I/O INTERCONNECT INC. OR ITS AFFILIATED SUBSIDIARIES.

DWG. NO.	ZONE	REV.	DESCRIPTION	DATE	APPROVED
XX6-522-D		C	ECN C285	08/07/01	K.C.
		D	ADD NOTE & CHANGE P/N TO ROHS COMPLIANT PER ECN D630	04/21/05	M.G.

WIRE DIAGRAM

P1	OPEN END
1	WHITE
2	BLACK
3	RED
4	GREEN
5	YELLOW
6	BLUE



NOTES: UNLESS OTHERWISE SPECIFIED.

- CABLE TO BE BUNDLED AND TWIST TIED.
- TEST CABLE FOR ALL OPENS & SHORTS.
- PACKAGE CABLE ASSEMBLY INDIVIDUALLY IN PLASTIC BAG. PACKAGE INDIVIDUAL BAG PER LOT NUMBER QUANTITIES.
- MARK OUTSIDE OF SHIPPING BOX WITH CUSTOMER PART NUMBER.
- PLACE BAR CODE LABEL ON THE OUTSIDE OF EACH SHIPPING BOX LABEL DETAIL SEE DWG 090-990-001.
- ALL METRICAL SHOULD BE ROHS COMPLIANT.

ITEM	QTY	MFG.	IQI PART NO.	DESCRIPTION
2	"X"	IOI	GLF-120-610-020	MODULAR CABLE, 26 AWG (7/34) BARE COPPER, 6 CONDUCTOR, UNSHIELDED, WHITE PVC. ROHS COMPLIANT.
1	1 PC	IOI	GLF-325-661-50X	CONNECTOR, MODULAR PLUG, 6 POSITION, 6 CONDUCTOR, 50u" AW, FLAT TYPE EXIT. ROHS COMPLIANT.

CABLE ASSEMBLY PARTS LIST

T.B.D.	GLF-466-256-522-D	25.0 FT ± 4.0 IN 7.62 M ± 101.6 MM
T.B.D.	GLF-466-146-522-D	14.0 FT ± 3.0 IN 4.27 M ± 76.2 MM
H3661-07-ND	GLF-466-076-522-D	7.0 FT ± 2.0 IN 2.13 M ± 50.8 MM
PART NUMBER DIGI-KEY	PART NUMBER I/O INTERCONNECT	LENGTH "X"

THIRD ANGLE PROJECTION

I/O INTERCONNECT
SANTA ANA, CALIFORNIA

DR BY: JOHN BA
DR CHECKED: M/EL/05

TITLE: 6P6C MODULAR TO OPEN END, WHITE, CABLE ASSEMBLY
P/N: H3661-XX-ND

UNLESS OTHERWISE NOTED:
1) DIMENSIONS ARE IN INCHES (MILLIMETER)
2) TOLERANCES:
X.XX ± 0.25 (6.35)

PART NO: GLF-466-XX6-522-D
DWG NO: GLF-466-XX6-522-D
CUSTOMER: DIGI-KEY
REV. D

SCALE: NONE
SHEET 1 OF 1