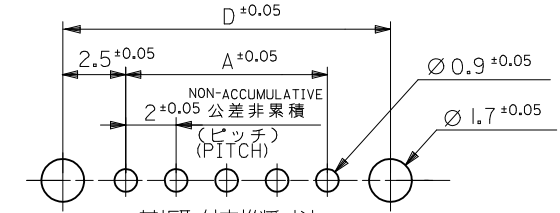
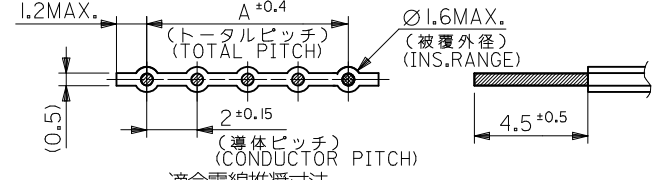


電線挿入図
SECT.(CABLE ASS'Y)

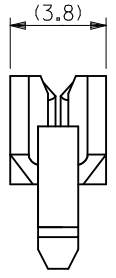
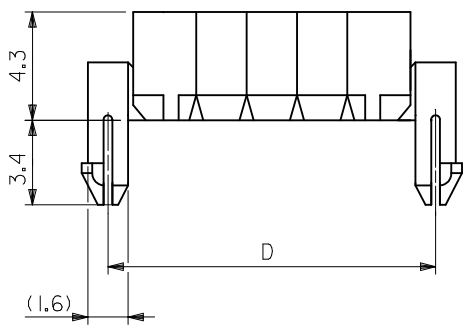


基板取付穴推奨寸法
RECOMMENDED P.C.BOARD HOLE DIM.
(t = 1.6 ± 0.05)



適合電線推奨寸法
RECOMMENDED WIRE DIM.

37	35	34.6	32	51048 - 17 10	17
35	33	32.6	30	↑ - 16 10	16
33	31	30.6	28	- 15 10	15
31	29	28.6	26	- 14 10	14
29	27	26.6	24	- 13 10	13
27	25	24.6	22	- 12 10	12
25	23	22.6	20	- 11 10	11
23	21	20.6	18	- 10 10	10
21	19	18.6	16	- 09 10	9
19	17	16.6	14	- 08 10	8
17	15	14.6	12	- 07 10	7
15	13	12.6	10	- 06 10	6
13	11	10.6	8	- 05 10	5
11	9	8.6	6	- 04 10	4
9	7	6.6	4	↓ - 03 10	3
7	5	4.6	2	51048 - 02 10	2
D	C	B	A	ENG. NO.	極致 CKTS.



注記
NOTES

1. 材料 : ナイロン66、UL 94V-0
MATERIAL : NYLON66 , UL94V-0
2. 適合電線 : 2mmピッチリボンケーブル
AWG#26錫コート平行線
APPLICABLE WIRE : 2mm PITCH
RIBBON CABLE WIRE
AWG#26, TOP COATED WIRE
Ø1.6 MAX.

REVISED EC NO. : J2012-0577 DRW:NSSAT002 2011/10/31 CHKD:KASAKAWA 2011/10/31 APPR:Y01TO 2011/10/31	DESCRIPTION REV	GENERAL TOLERANCES (UNLESS SPECIFIED)		DIMENSION STYLE MM ONLY		SCALE 5:1		DESIGN UNITS METRIC		THIRD ANGLE PROJECTION		
		10 UNDER	± 0.2	DRAWN BY H. SEKINE	DATE '89/9/14	TITLE 2.0MM PITCH CABLE HOLDER (FOR 4.5MM STRIP LENGTH)						
		10 OVER 30 UNDER	± 0.25	CHECKED BY	DATE	APPROVED BY Y01TO 2011/10/31						
		30 OVER	± 0.3	APPROVED BY Y01TO 2011/10/31		MATERIAL NO. SEE CHART		DOCUMENT NO. SD-51048-**-10		SHEET NO. 1 OF 1		
		ANGULAR ± 3 °		SIZE A3		THIS DRAWING CONTAINS INFORMATION THAT IS PROPRIETARY TO MOLEX INCORPORATED AND SHOULD NOT BE USED WITHOUT WRITTEN PERMISSION						
		DRAFT WHERE APPLICABLE MUST REMAIN WITHIN DIMENSIONS										