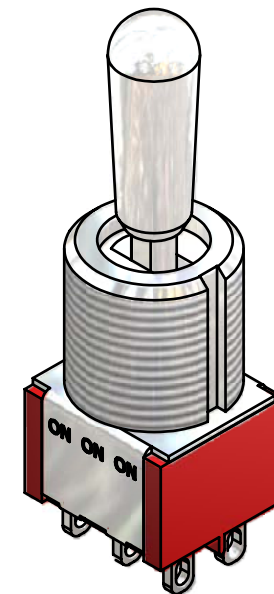
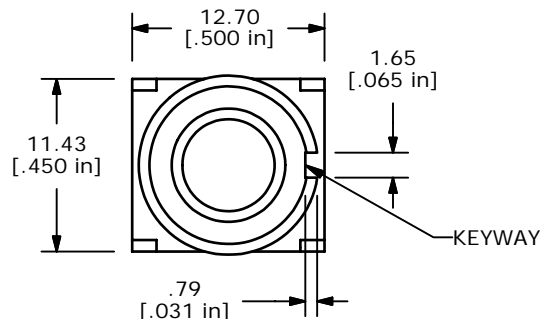
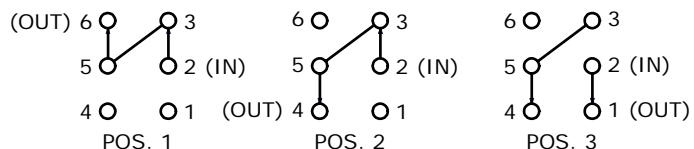


SWITCH FUNCTION		
POS. 1	POS. 2	POS. 3
ON	ON	ON
2-3, 5-6	2-3, 5-4	2-1, 5-4



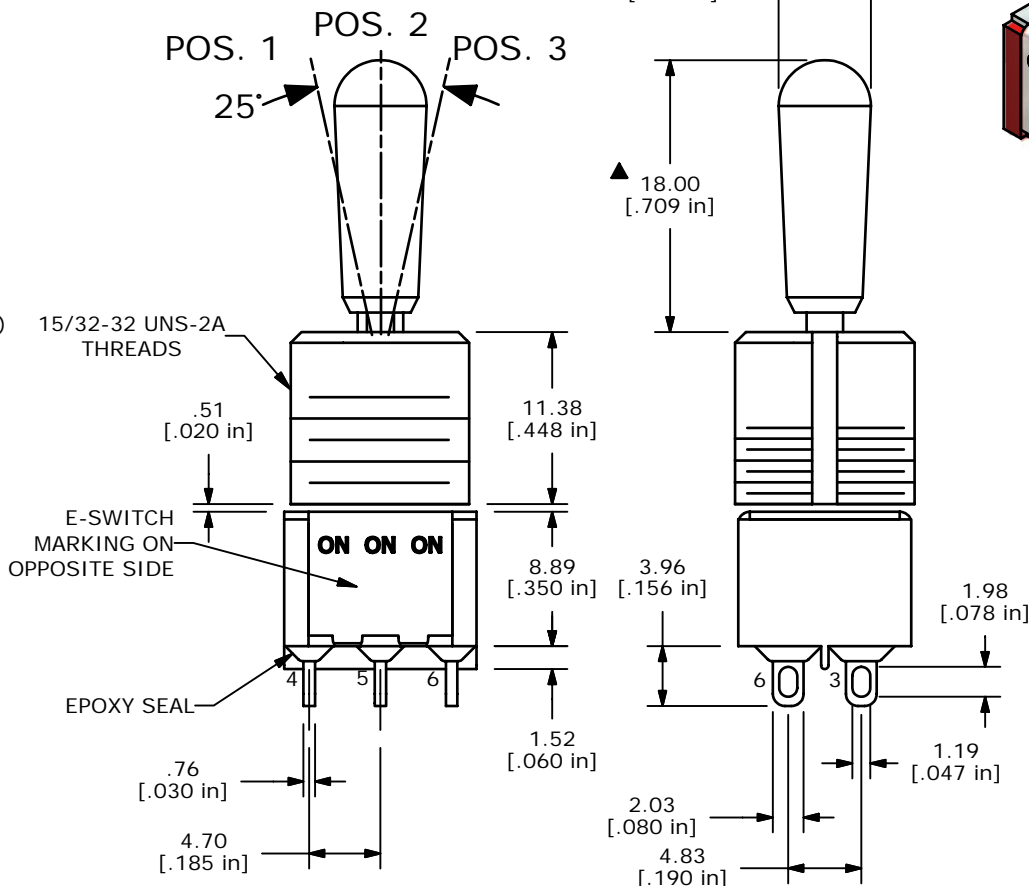
ISOMETRIC



DPDT 3 WAY CIRCUIT
NOTE: JUMPER PIN 3 TO 5

NOTE:

1. ALL DIMENSIONS IN MM [INCH]
2. GENERAL TOLERANCE: X.X=±0.4
X.XX=±0.25
3. TERMINAL NUMBERS FOR REF ONLY
- ▲ 4. PLATING MATERIAL: SILVER
5. RATING: 5 AMPS @ 120VAC OR 28VDC
2 AMPS @ 250VAC
6. ELECTRIC LIFE: 40,000 MAKE-AND-BREAK CYCLES AT FULL LOAD.
7. INSULATION RESISTANCE: 1,000 MEGA-OHM MIN.
8. DIELECTRIC STRENGTH: 1,000 V RMS @SEA LEVEL.
9. OPERATING TEMP.: -30°C to 85°C
10. HARDWARE TO BE SHIPPED BULK
T100004 - HEXNUT - QTY 2
T100012 - LOCKWASHER - QTY 1
T100003 - LOCKRING - QTY 1
11. ▲ DENOTES CRITICAL PARAMETER.
12. 2002/95/EC (ROHS) COMPLIANT.



E-SWITCH®

B	16532	CHANGE HEIGHT FROM 17.49 TO 18	10/16/2006	TN
A	16232	NEW RELEASE	7/18/06	BK
REV	PCR NO	DESCRIPTION	DATE	BY

TITLE 100DP6T8B13M1QE H				
SCALE 2:1	DATE 7/18/2006	DR BK	DWG ST126000	REV B

THE INFORMATION CONTAINED IN THIS DOCUMENT IS PROPRIETARY TO E-SWITCH AND IS NOT TO BE COPIED OR TRANSFERRED