

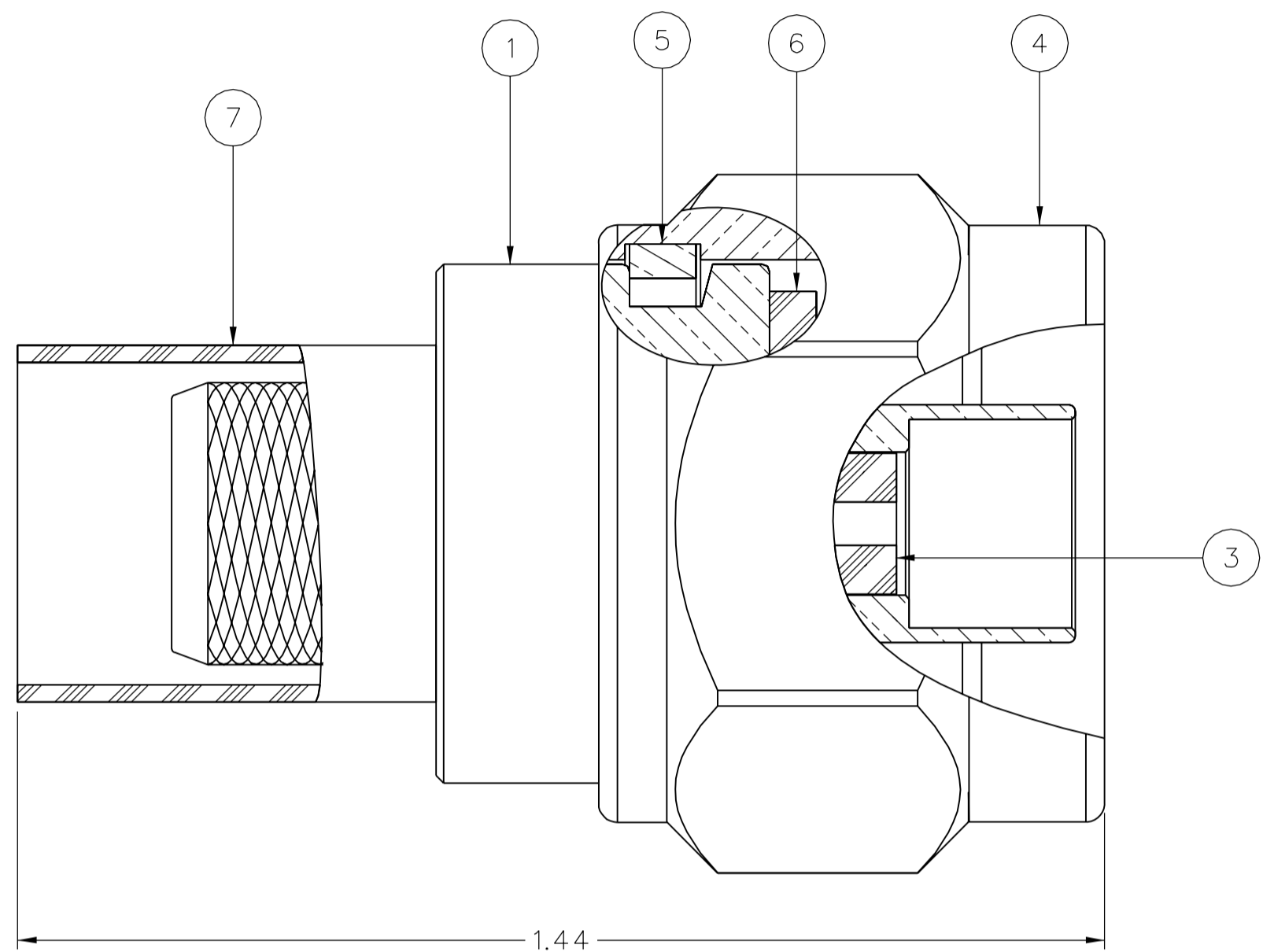
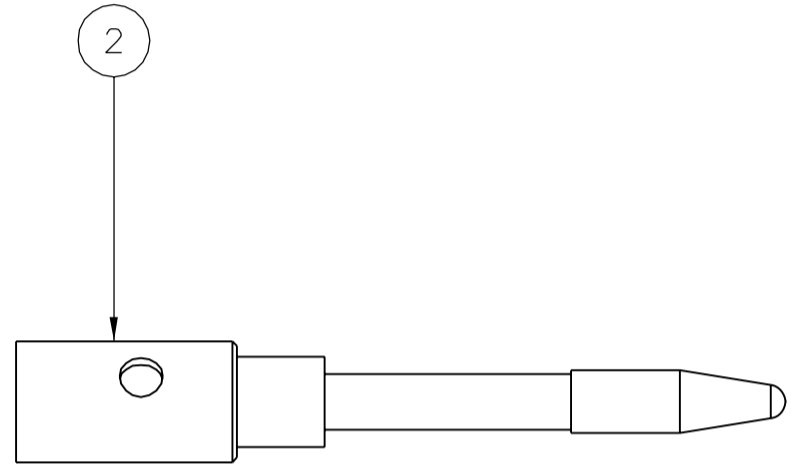
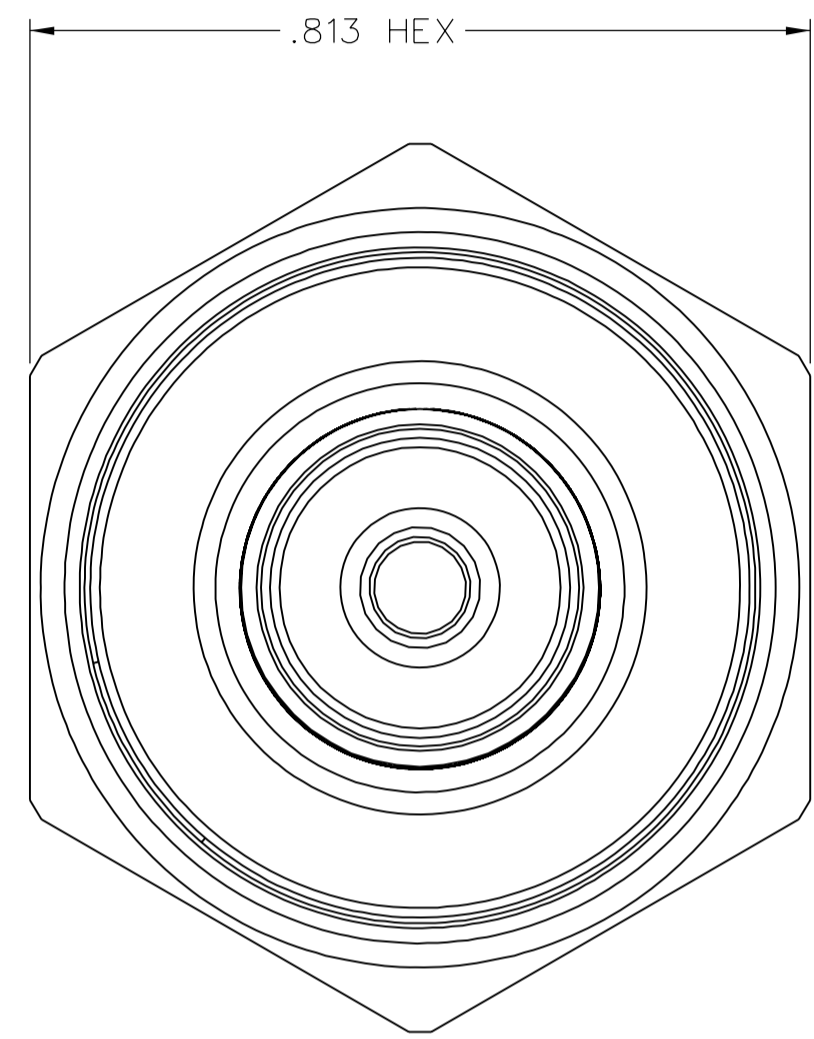
PART NUMBER	ITEM ① BODY	ITEM ② CONTACT	ITEM ③ INSULATOR	ITEM ④ COUPLING NUT	ITEM ⑤ RETENTION SPRING	ITEM ⑥ SEAL GASKET	ITEM ⑦ CRIMP SLEEVE
138-4416-006	BRASS NICKEL PL .0001 MIN OVER COPPER PL .00005 MIN	BRASS GOLD PL .00005 MIN OVER NICKEL PL .00005 MIN OVER COPPER PL .00005 MIN	TEFLON	BRASS NICKEL PL .0001 MIN OVER COPPER PL .00005 MIN	BERYLLIUM COPPER UNPLATED	SILICONE RUBBER	COPPER NICKEL PL .0001 MIN OVER COPPER PL .00005 MIN
138-4416-007	BRASS TRI-ALLOY PL .0001 MIN	BRASS GOLD PL .00005 MIN OVER NICKEL PL .00005 MIN OVER COPPER PL .00005 MIN	TEFLON	BRASS TRI-ALLOY PL .0001 MIN	BERYLLIUM COPPER UNPLATED	SILICONE RUBBER	COPPER TRI-ALLOY PL .0001 MIN

DRAWING NO.
C - 138-4416-001/010

0 REVISIONS

ENGINEERING RELEASE

1	11-30-05	P A T	J R K	P D W	M J U	4-7-06 ECN 50013
---	----------	-------------	-------------	-------------	-------------	---------------------



NOTES:

1. SPECIFICATIONS:

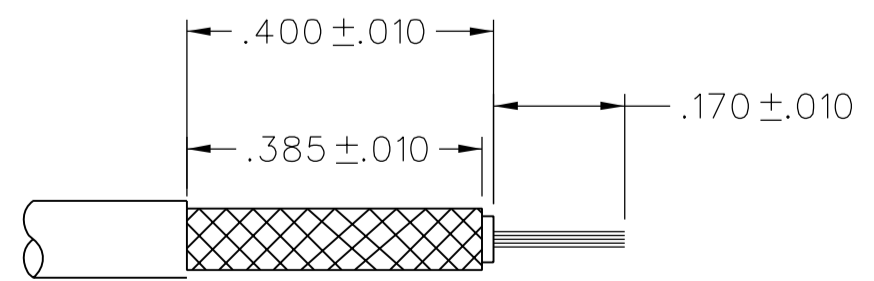
IMPEDANCE: 50 OHMS
 FREQUENCY RANGE: 0-11 GHz
 VSWR: 1.30 MAX AT 0-11 GHz
 WORKING VOLTAGE: 1000 VRMS MAX AT SEA LEVEL
 DIELECTRIC WITHSTANDING VOLTAGE: 2500 VRMS MIN AT SEA LEVEL
 INSULATION RESISTANCE: 5000 MEGOHM MIN
 CONTACT RESISTANCE:
 CENTER CONTACT - INITIAL 1.0 MILLIOHM MAX, AFTER ENVIRONMENTAL 1.5 MILLIOHM MAX
 OUTER CONDUCTOR - INITIAL 0.2 MILLIOHM MAX, AFTER ENVIRONMENTAL NOT APPLICABLE
 BODY TO CABLE - 0.05 MILLIOHM MAX, AFTER ENVIRONMENTAL NOT APPLICABLE
 CORONA LEVEL: 500 VOLTS MIN AT 70,000 FEET
 INSERTION LOSS: 0.15 dB MAX, TESTED AT 9 GHz
 RF LEAKAGE: -90 dB MIN AT 2 TO 3 GHz
 RF HIGH POTENTIAL WITHSTANDING VOLTAGE: 1500 VRMS AT 4 AND 7 MHz
 THIRD ORDER INTERMODULATION PRODUCT (IMP3): TYPICALLY < -90 dBm
 (TESTED PER IEC GUIDELINES WITH 20W CW INPUTS AT 1930-1990 MHz)

MECHANICAL:

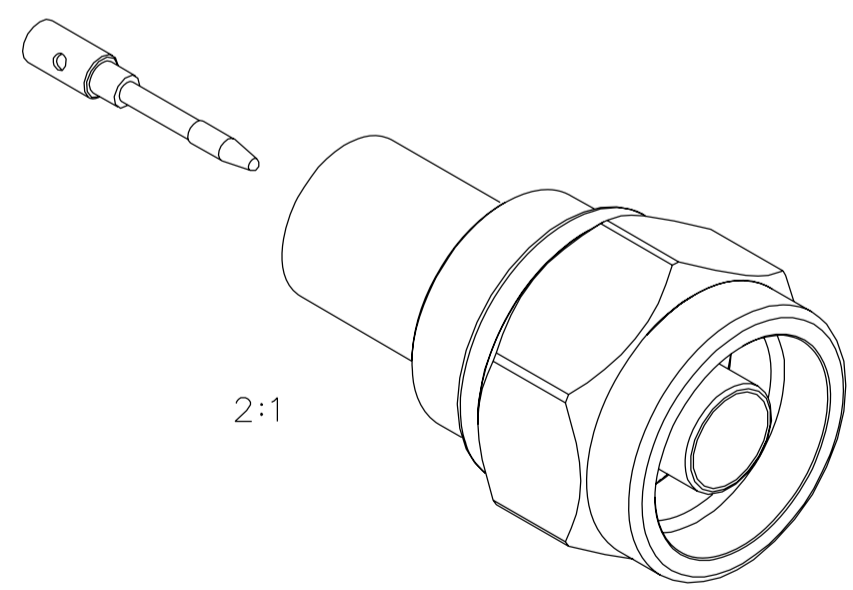
ENGAGE/DISENGAGE TORQUE: 6 IN-LBS MAX
 MATING TORQUE: 7-10 IN-LBS
 COUPLING PROOF TORQUE: 15 IN-LBS MIN
 COUPLING NUT RETENTION: 100 LBS MIN
 CONTACT RETENTION: NOT APPLICABLE
 CABLE ACCEPTABILITY: RG 8, RG 213
 CABLE HEX CRIMP SIZE: .429
 CONTACT HEX CRIMP SIZE: .111
 CABLE RETENTION: 90 LBS MIN AXIAL FORCE
 DURABILITY: 500 CYCLES MIN

ENVIRONMENTAL:

(MEETS OR EXCEEDS THE APPLICABLE PARAGRAPH OF MIL-PRF-39012)
 THERMAL SHOCK: MIL-STD-202, METHOD 107, CONDITION B, EXCEPT 85°C HIGH TEMP
 OPERATING TEMPERATURE: -65°C TO 165°C
 CORROSION: MIL-STD-202, METHOD 101, CONDITION B
 SHOCK: MIL-STD-202, METHOD 213, CONDITION I
 VIBRATION: MIL-STD-202, METHOD 204, CONDITION B
 MOISTURE RESISTANCE: MIL-STD-202, METHOD 106



CABLE STRIP DIMENSIONS
NOT TO SCALE



CUSTOMER DRAWING

THIS DRAWING TO BE INTERPRETED PER ASME Y 14.5M - 1994

"μ STATION"

COMPANY CONFIDENTIAL

TOLERANCE UNLESS OTHERWISE SPECIFIED		DRAWN BY	DATE
DECIMALS	mm	PAT	11-14-05
.XX REF	—	CHECKED BY	DATE
.XXX REF	—	PDW	4-6-06
MATL	—	APPROVED BY	DATE
—	—	JRK	4-6-06
FINISH	—	RELEASE DATE	4-7-06
—	—	U/M	INCH
—	—	SCALE	5:1

cinch Connectivity Solutions
 P.O. Box 1732
 Waseca, MN 56093
 1-800-247-8256

TITLE
STRAIGHT CRIMP PLUG,
TYPE N CONNECTOR,
RG213 FLEXIBLE CABLED

SHEET 2 OF 2
DRAWING NO.
C - 138-4416-001/010