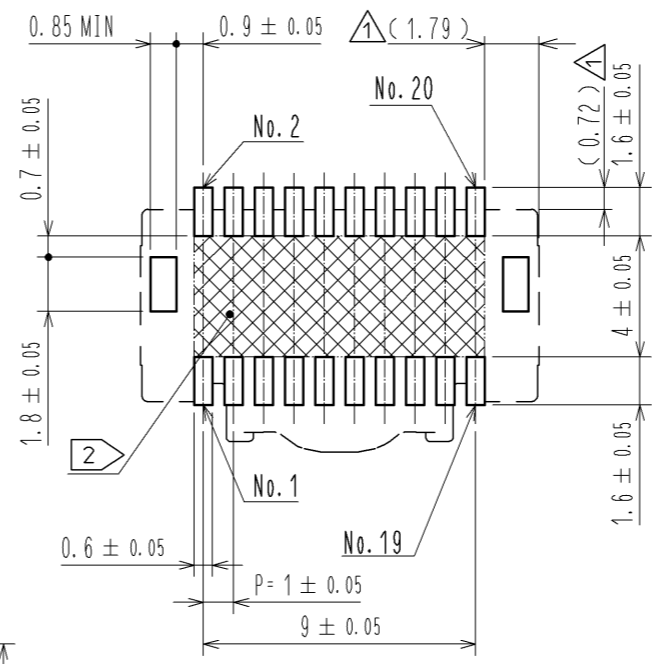
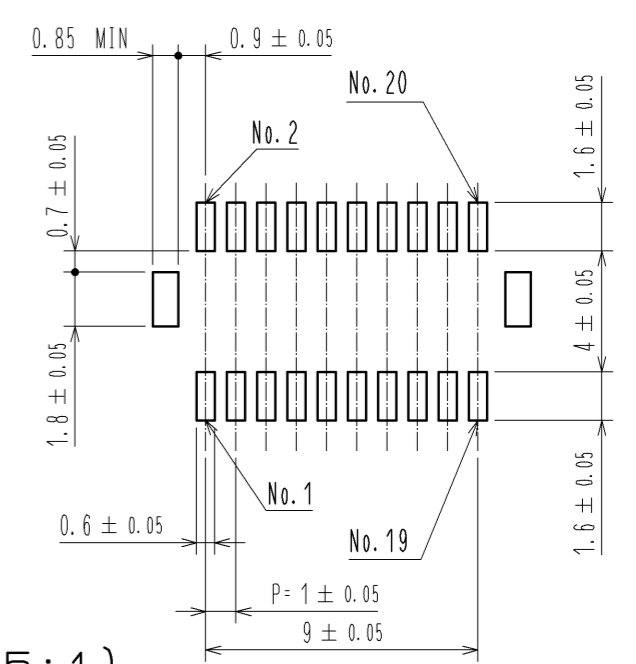


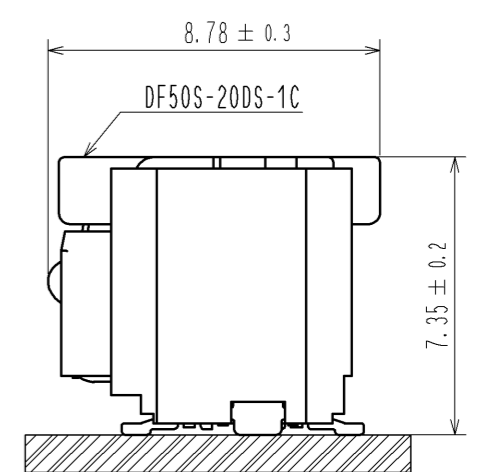
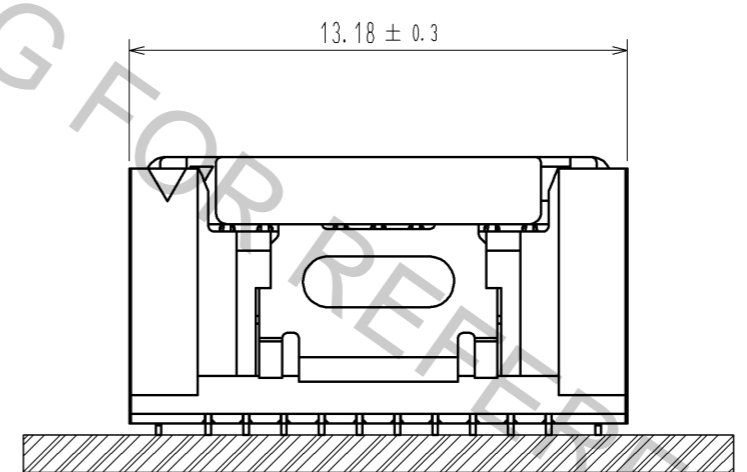
RECOMMENDED PCB LAYOUT
(MOUNTING SURFACE SIDE) (FREE)



RECOMMENDED METAL MASK(FREE)
THICKNESS : 0.1mm

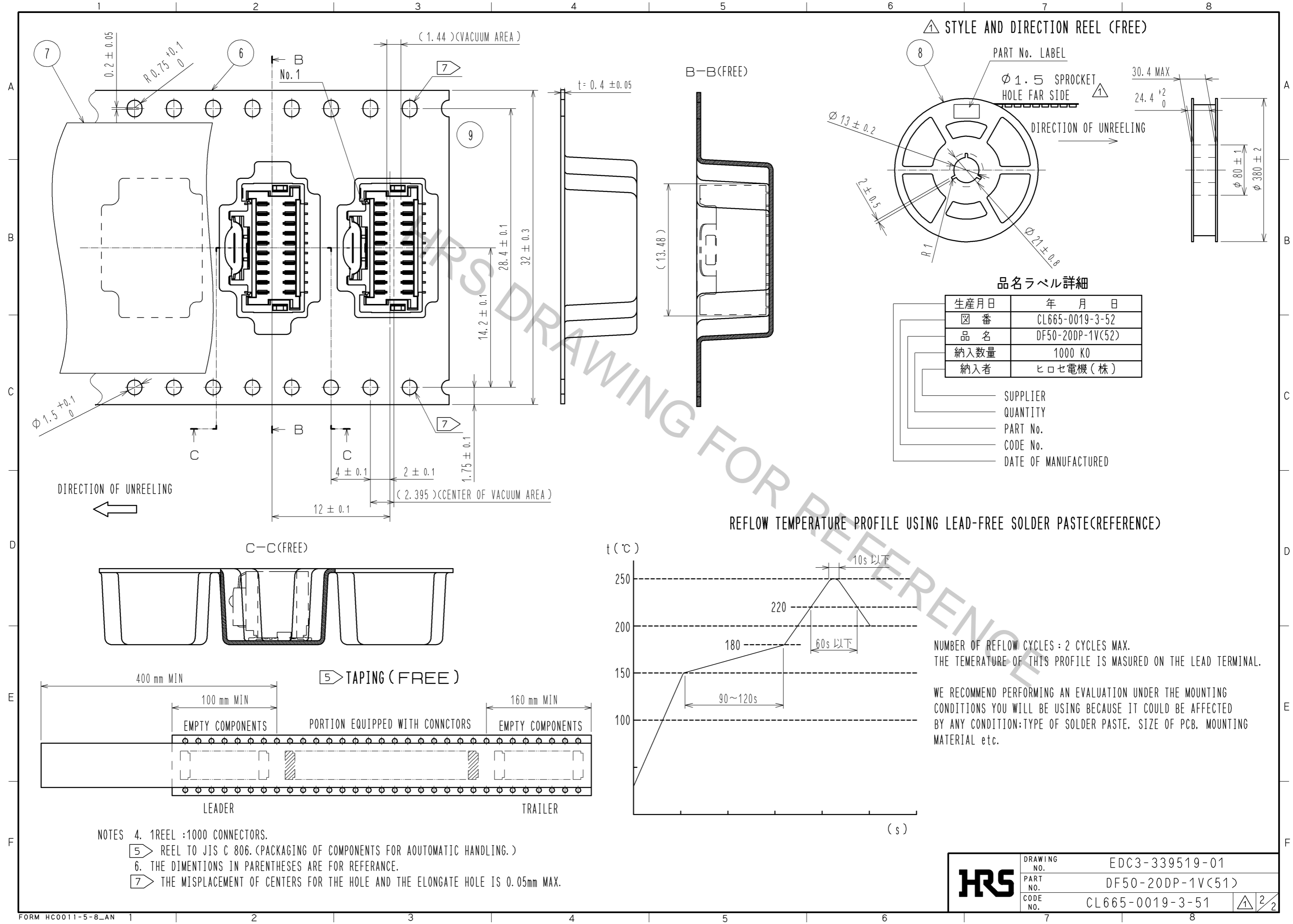


MATING FIGURE (5 : 1)



- NOTES 1. LEAD CO-PLANARITY SHALL BE 0.1 mm MAX.
 2. AREA INDICATED MUST BE FREE OF CONDUCTIVE TRACES OR THE CONDUCTIVE TRACES MUST BE COVERED BY RESIST FILM.
 3. PLEASE CONSULT HIROSE WHEN THE PRODUCT IS MOUNTED TO FPC.

3	BRASS	CONTACT AREA : Au PLATING 0.05μm MIN. LEAD AREA : Au PLATING 0.05μm MIN. UNDERPLATING : Ni PLATING 1μm MIN.	9	POLYAMIDE	VACUUM CAP
2	BRASS	CONTACT AREA : Au PLATING 0.05μm MIN. LEAD AREA : Au PLATING 0.05μm MIN. UNDERPLATING : Ni PLATING 1μm MIN.	8	PS	REEL, BLACK
1	LCP	BLACK, UL94V-0	7	POLYESTER	CLEAR
			6	PS	CLEAR
			5	STAINLESS STEEL	-
			4	BRASS	SURFACE : Sn PLATING 1μm MIN. UNDERPLATING : Ni PLATING 0.5μm MIN.
NO.	MATERIAL	FINISH, REMARKS	NO.	MATERIAL	FINISH, REMARKS
UNITS mm		SCALE FREE	COUNT 4	DESCRIPTION OF REVISIONS DIS-H-007735	
				DESIGNED MI. SAKIMURA	CHECKED TS. KUMAZAWA
					DATE 13.03.22
			APPROVED : OM. MIYAMOTO	12.01.31	DRAWING NO. EDC3-339519-01
			CHECED : OM. MIYAMOTO	12.01.31	PART NO. DF50-20DP-1V(51)
			DESIGNED : TT. OHSAKO	12.01.31	CODE NO. CL665-0019-3-51
			DRAWN : TT. OHSAKO	12.01.31	



△ STYLE AND DIRECTION REEL (FREE)

PART No. LABEL

Φ 1.5 SPROCKET HOLE FAR SIDE

30.4 MAX

24.4 ⁺²/₀

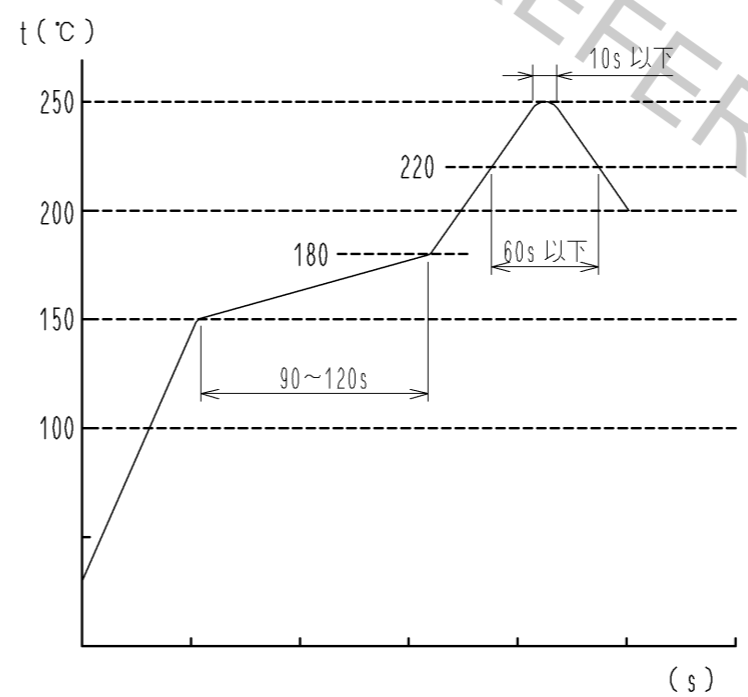
DIRECTION OF UNREELING

品名ラベル詳細

生産月日	年 月 日
図 番	CL665-0019-3-52
品 名	DF50-20DP-1V(52)
納入数量	1000 K0
納入者	ヒロセ電機(株)

SUPPLIER
QUANTITY
PART No.
CODE No.
DATE OF MANUFACTURED

REFLOW TEMPERATURE PROFILE USING LEAD-FREE SOLDER PASTE(REFERENCE)



NUMBER OF REFLOW CYCLES : 2 CYCLES MAX.
THE TEMPERATURE OF THIS PROFILE IS MASURED ON THE LEAD TERMINAL.

WE RECOMMEND PERFORMING AN EVALUATION UNDER THE MOUNTING CONDITIONS YOU WILL BE USING BECAUSE IT COULD BE AFFECTED BY ANY CONDITION:TYPE OF SOLDER PASTE, SIZE OF PCB, MOUNTING MATERIAL etc.

- NOTES
- 4. 1REEL :1000 CONNECTORS.
 - 5. REEL TO JIS C 806.(PACKAGING OF COMPONENTS FOR AOUTOMATIC HANDLING.)
 - 6. THE DIMENTIONS IN PARENTHESES ARE FOR REFERENCE.
 - 7. THE MISPLACEMENT OF CENTERS FOR THE HOLE AND THE ELONGATE HOLE IS 0.05mm MAX.

HRS	DRAWING NO.	EDC3-339519-01
	PART NO.	DF50-20DP-1V(51)
	CODE NO.	CL665-0019-3-51
		2/2