

## SPECIFICATION

Part No. : **RECE.20369.001E.01**

Product Name : IPEX MHFIII Receptacle  
Compatible with Hirose W.FL  
Mating Height: 1.6mm MAX  
5,000 pieces per reel

Photo :





## 1. Introduction

The Taoglas RECE.20369.001E.01 is a wire-to-board MHFIII SMT type Receptacle solution that is ultra small, lightweight and low profile (1.5mm MAX.) with an operational frequency range of DC to 6 GHz. Taoglas RECE.20369.001E.01 is gold plated to give superior performance and allow easy mounting of the male RF connector. Packaged on tape and reel, this receptacle is designed to be placed with automatic "pick and place" equipment.

The RECE.20369.001E.01 acts as a 50 Ohm transmission line to connect the micro-miniature RF connector to the printed circuit board. It is fully compatible with MHFIII and Hirose W.FL connector.

### Applicable Technology

In the field of application that requiring high frequency transmission using small coaxial connectors: GSM/GPS modules, IEEE 02.11 a/b/g/n, WiMAX, ZigBee, Bluetooth, MIMO, WiGig, etc,



## 2. Specifications

Electrical	
Operation Frequency	DC to 6 GHz
VSWR	1.3 Max at DC~3 GHz
	1.45 Max at 3~6 GHz
Nominal Impedance	50 Ohm
Rated Voltage	AC 60V
Contact Resistance	20m Ohm MAX. (signal) and 20m Ohm MAX. (Ground)
Withstand Voltage	AC 200V/minute
Insulation Resistance	500M Ohm MIN. /DC 100V

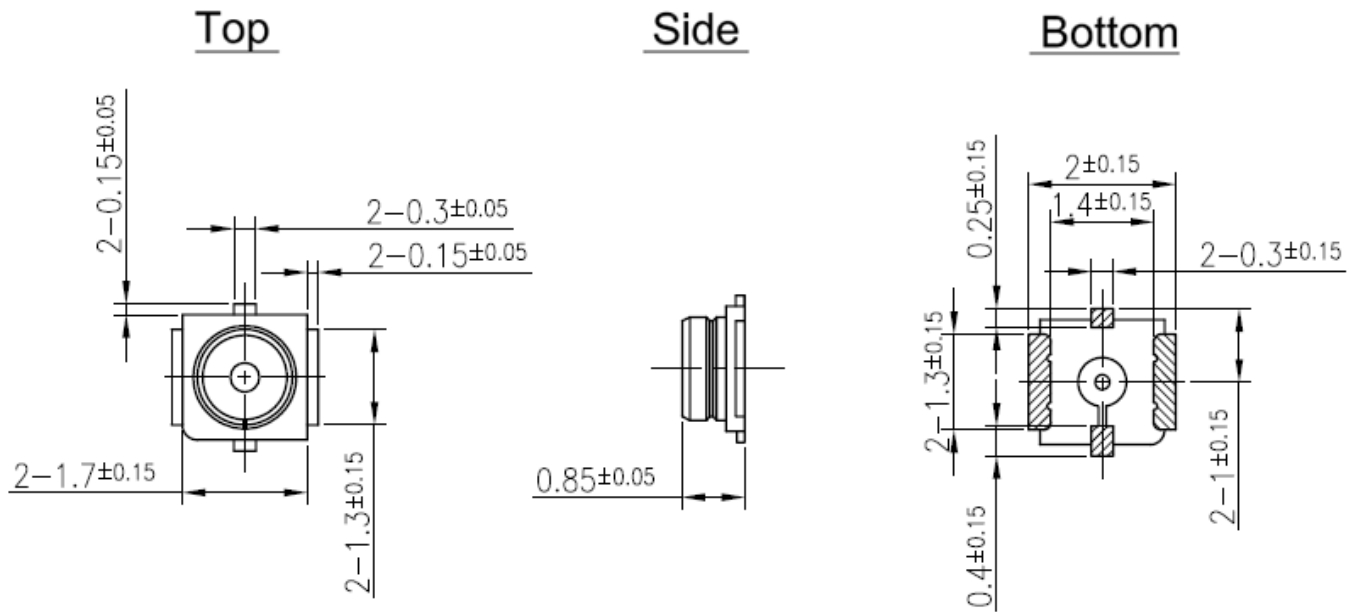
Material	
Outer Contact	Copper Alloy (Au plating)
Center Contact	Copper Alloy (Au plating)
Insulator	LCP UL94V-0

Environmental	
Temperature	-40 to +90°C
RoHs Complaint	Yes
Halogen-Free	Yes
Vibration (Mating connector)	Frequency: 10Hz-100Hz Duration: 20mins Peak value of acceleration: 59m/s <sup>2</sup> (6G) Direction, cycle: 3 axis, 3 cycles
Shock (Mating connector)	Peak Value of acceleration: 735m/s <sup>2</sup> (75G) Duration: 11ms Waveform: Half sinusoidal Direction: 6 axis Cycles: 3 cycles for each direction
Humidity	Temperature: 40+/- 2°C Humidity: 90~95%RH Duration 96 hours
Thermal Shock	-55°C for 30mins to 85°C for 30mins Transition Time: 5 minutes Cycles: 5
High temperature life	90+/- 2°C for 96 hours
H <sub>2</sub> S gas	Temperature: 40+/-2°C Relative Humidity: 80+/-5%RH Gas H <sub>2</sub> S 3+/-1ppm

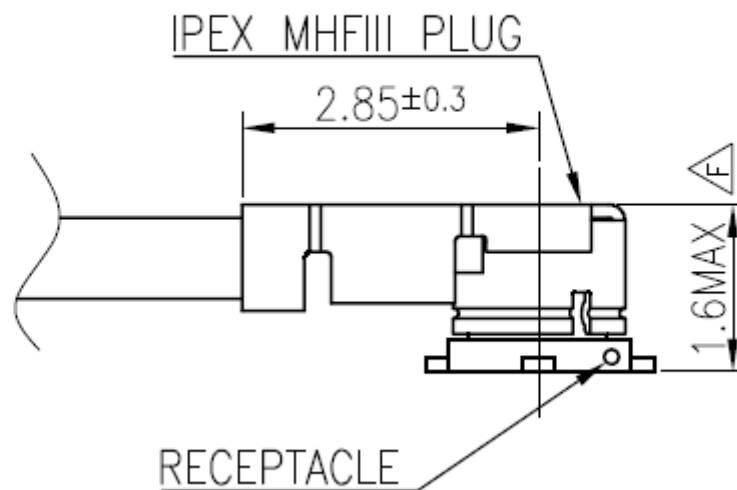


	Duration 96 hours
Salt Water Spray	Temperature: 35+/-2°C Relative Humidity: 95~98%RH Salt Water Density: 5+/-1% (by weight) Duration: 48 Hours

### 3. Technical Drawing

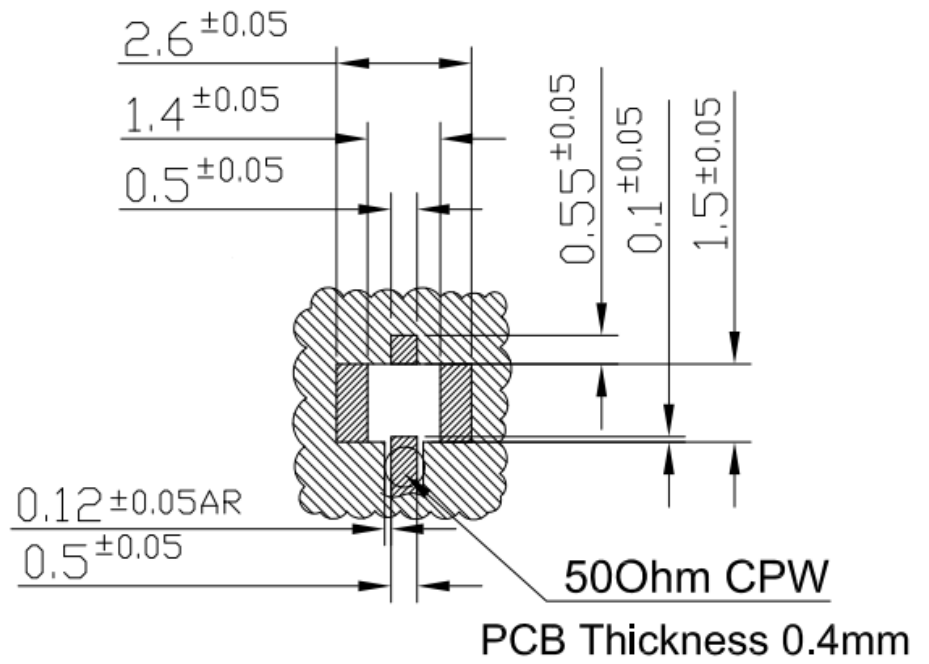


### Mated View






## 4. Footprint

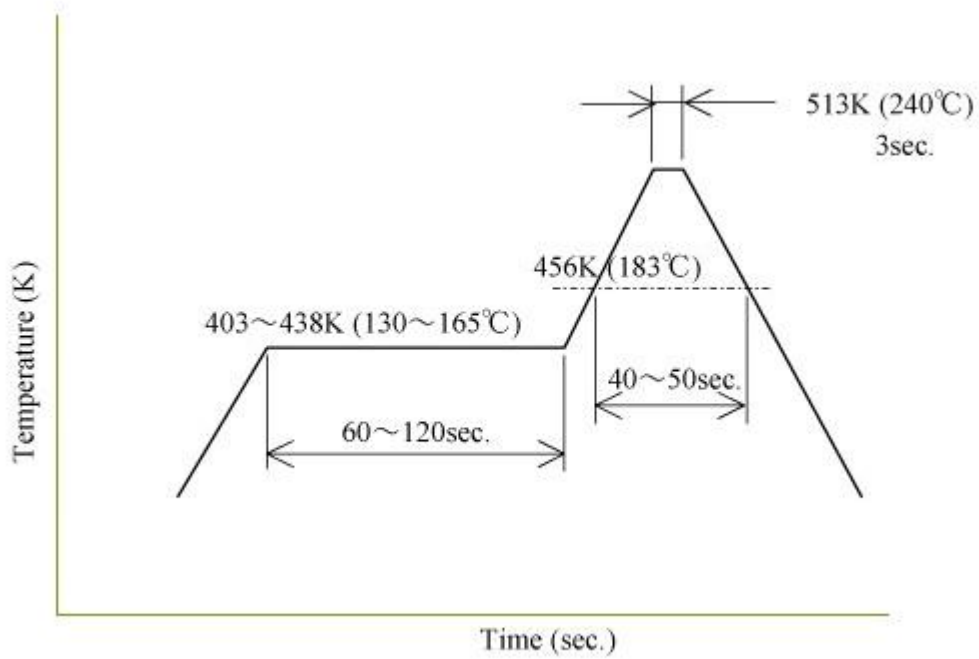
### PCB Footprint



Note:

- 1. Soldered Area. 
- 2. Solder Mask. 
- 3. Clearance Area. 

## 5. Reflow Profile



Recommended soldering temperature profile