

THIS DRAWING IS UNPUBLISHED. RELEASED FOR PUBLICATION

© COPYRIGHT - BY TYCO ELECTRONICS CORPORATION. ALL RIGHTS RESERVED.

LOC GZ DIST 00

REVISIONS

P	LTR	DESCRIPTION	DATE	DWN	APVD
A		NEW FORMAT & EC0720-0136-04	08MAR04	MD	KH

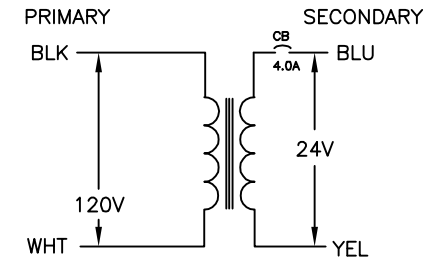
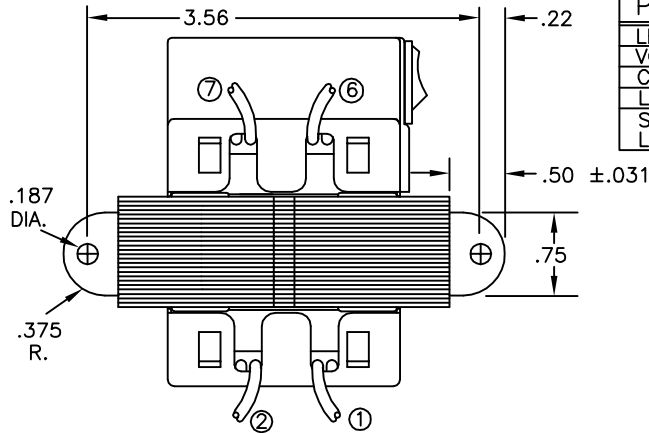
ALL LEADS 18AWG--UNLESS OTHERWISE SPECIFIED

PRIMARY					
LEAD NO.	1	2	3	4	5
VOLTAGE	COM	120			
COLOR	BLK	WHT			
LENGTH	12.0	12.0			
STRIP LENGTH	.50	.50			

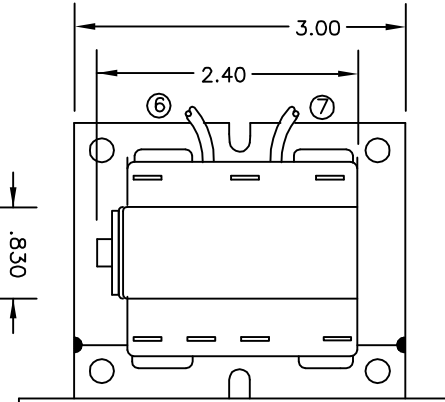
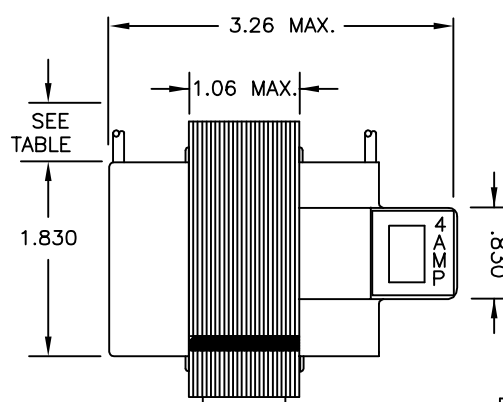
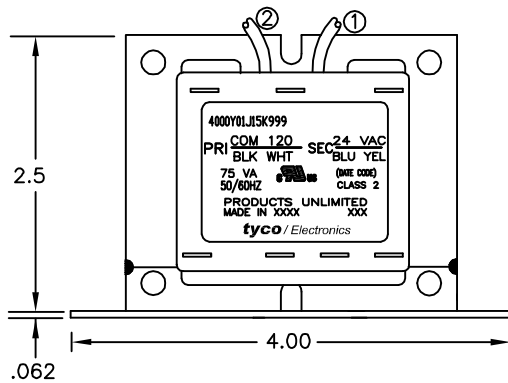
- NOTES
- DIMENSIONS FOR REFERENCE ONLY.
 - ALL LEADS +1"/-0" TOL.
 - STRIP TOL. ±1/32
 - WINDING PROTECTION-- INTERNALLY PROTECTED--4.0 AMP CIRCUIT BREAKER.

CERTIFICATION:
UL & CUL FILE NO. E87824

SECONDARY				
LEAD NO.	6	7	8	9
VOLTAGE	24	VAC		
COLOR	BLU	YEL		
LENGTH	12.0	12.0		
STRIP LENGTH	.50	.50		



SCHEMATIC



CUST. NO.	TYCO PART NUMBER
-	4-1611469-1

THIS DRAWING IS A CONTROLLED DOCUMENT.		DWN M.DAVIS	OBMAR04	Products Tyco Electronics Corporation Harrisburg, Pa 17105-3608
		CHK K.HOLSCHUH	OBMAR04	
		APVD K.HOLSCHUH	OBMAR04	NAME TRANSFORMER OUTLINE
		PRODUCT SPEC		
		APPLICATION SPEC		SIZE A3 CAGE CODE 00779 DRAWING NO C=4000Y01J15K999 RESTRICTED TO -
		WEIGHT		
MATERIAL -		FINISH -		SCALE NTS SHEET 1 OF 1 REV A

DIMENSIONS:	TOLERANCES UNLESS OTHERWISE SPECIFIED:
INCHES	
0 PLC	± -
1 PLC	± -
2 PLC	± -
3 PLC	± -
4 PLC	± -
ANGLES	± -