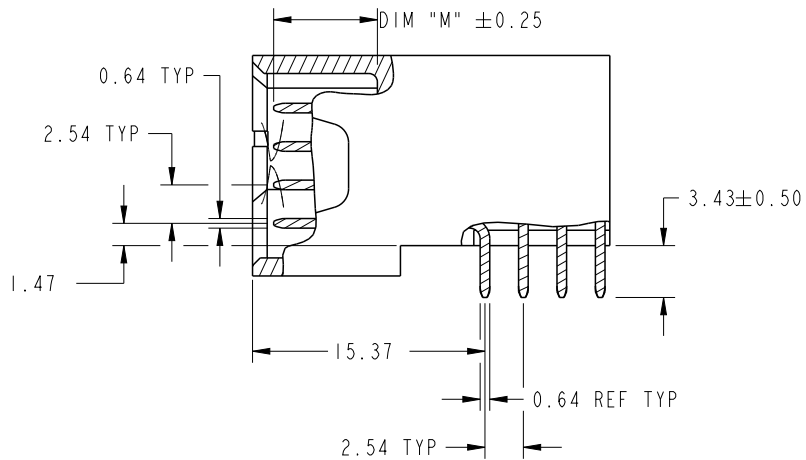


CODE	DIM "M" MATING LENGTH	CONTACT TYPE
U	[6.86]	SIGNAL
T	[6.86]	SIGNAL
R	[6.86]	SIGNAL
F	[5.59]	SIGNAL
S	[6.86]	SIGNAL
G	[5.59]	SIGNAL
PA	[N/A]	POWER
HA	[N/A]	HOLD-DOWN

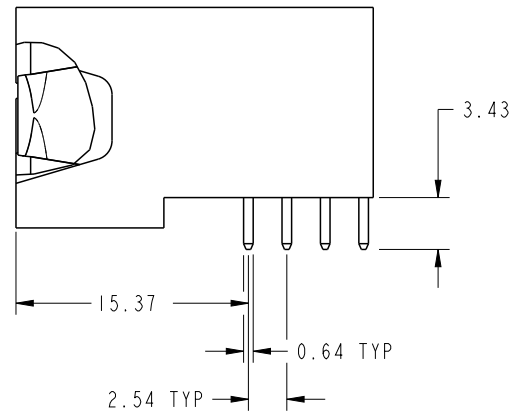
spec ref	*	dr	Ruan MT	2014/03/25	projection	MM	size	A4	scale	1:1	
tolerance std	ASME Y14.5	eng	Ruan MT	2014/04/16			ecn no	-	rel level		Released
TOLERANCES UNLESS OTHERWISE SPECIFIED		chr	-	-			product family	PwrBlade			
surface	linear	appr	Pei-Ming Zheng	2014/04/16			rev	51939-848		A	
	angular			title	IP + 3P + 16S + 3P + IP		cat. no.	Product - Customer Drw		sheet 1 of 4	
ASME Y14.5	0.X ±0.5			RIGHT ANGLE SOLDER HEADER		dwg no					
	0.XX ±0.25										
	0.XXX ±0.1										
	0° ±2°										
		www.fci.com									

PRODUCT NUMBER

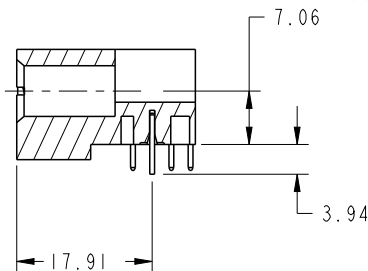
51939-848--
NOTE: 3



BROKEN-OUT SECTION A-A
SCALE 2:1



BROKEN-OUT SECTION B-B
SCALE 2:1



SECTION C-C

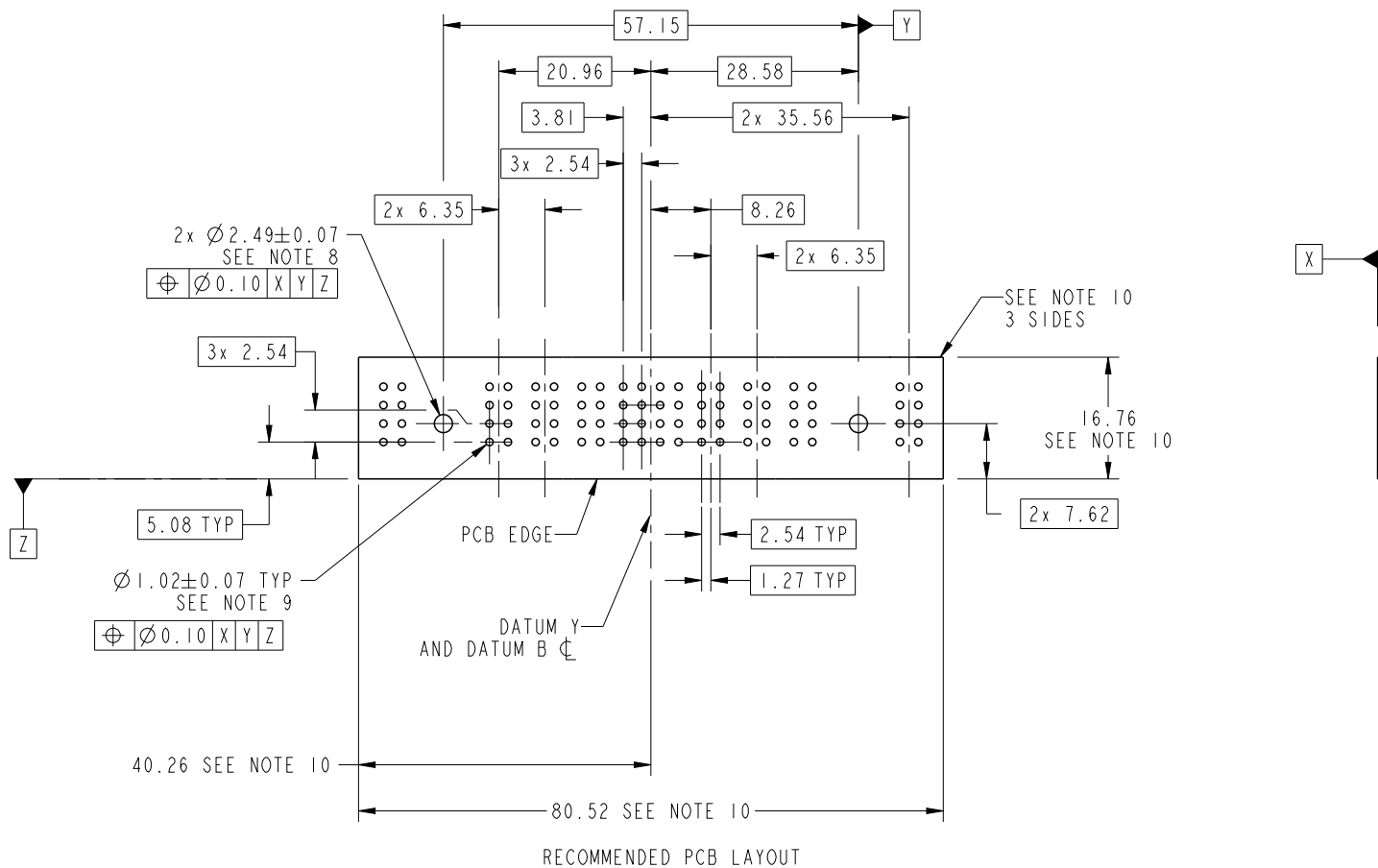
dr	Ruan MT	2014/03/25	projection 	MM 	size	A4	scale	1:1
eng	Ruan MT	2014/04/16			ecn no	-		
chr	-	-			rel level	Released		
appr	Pei-Ming Zheng	2014/04/16	product family	PwrBlade				
		title IP + 3P + 16S + 3P + IP RIGHT ANGLE SOLDER HEADER	dwg no 51939-848	rev A				
www.fci.com	cat. no.	-	Product - Customer Drw	sheet 2 of 4				



Copyright FCI.

PRODUCT NUMBER

51939-848__
NOTE: 3



RECOMMENDED PCB LAYOUT

dr	Ruan MT	2014/03/25	projection 	MM 	size	A4	scale	1:1	
eng	Ruan MT	2014/04/16			ecn no	-			
chr	-	-			rel level	Released			
appr	Pei-Ming Zheng	2014/04/16	product family	PwrBlade					
	title	IP + 3P + 16S + 3P + IP RIGHT ANGLE SOLDER HEADER			dwg no	51939-848		rev	A
www.fci.com	cat. no.	-	Product - Customer Drw			sheet 3 of 4			



PRODUCT NUMBER

51939-848__
NOTE: 3

NOTES:

1. DIMENSIONS AND TOLERANCES ARE IN ACCORDANCE WITH ASME Y14.5M, 1994 UNLESS OTHERWISE SPECIFIED.

CONNECTOR NOTES:

- 2. HOUSING MATERIAL: UL 94 V-0 GLASS FILLED HIGH-TEMP THERMOPLASTIC
POWER CONTACT MATERIAL: COPPER ALLOY
SIGNAL PIN MATERIAL: COPPER ALLOY
- 3. SEE ITEM 1 & 2 IN PRINT 10064183 FOR PLATING SPEC OF 51939-848 AND 51939-848LF RESPECTIVELY.
- 4. MANUFACTURER'S NAME, DATE CODE AND OPTIONAL P/N TO APPEAR ON THIS SURFACE. THE MARK CAN BE OMITTED IF THERE IS NOT ENOUGH SPACE ON THIS SURFACE.
- 5. PRODUCT SPECIFICATION GS-12-149.
APPLICATION SPECIFICATION BUS-20-067.
- 6. PACKAGED IN TRAYS.

PCB NOTES:

- 7. ALL HOLE DIAMETERS ARE FINISHED HOLE SIZE.
- 8. MOUNTING HOLES, WHERE APPLICABLE, ARE UNPLATED.
- 9. $\varnothing 1.151 \pm 0.025$ DRILLED HOLES PLATED WITH
0.008 MIN SnPb OR Sn OVER 0.03
TO 0.08 Cu PLATING TO ACHIEVE
 $\varnothing 1.02 \pm 0.07$ HOLE.
- 10. CONNECTOR KEEP-OUT ZONE.



Copyright FCI.

dr	Ruan MT	2014/03/25	projection 	MM 	size	A4	scale	1:1	
eng	Ruan MT	2014/04/16			ecn no	-			
chr	-	-							
appr	Pei-Ming Zheng	2014/04/16	product family	PwrBlade	rel level	Released			
	title	IP + 3P + 16S + 3P + IP RIGHT ANGLE SOLDER HEADER			dwg no	51939-848		rev	A
www.fci.com	cat. no.	-	Product - Customer Drw			sheet 4 of 4			