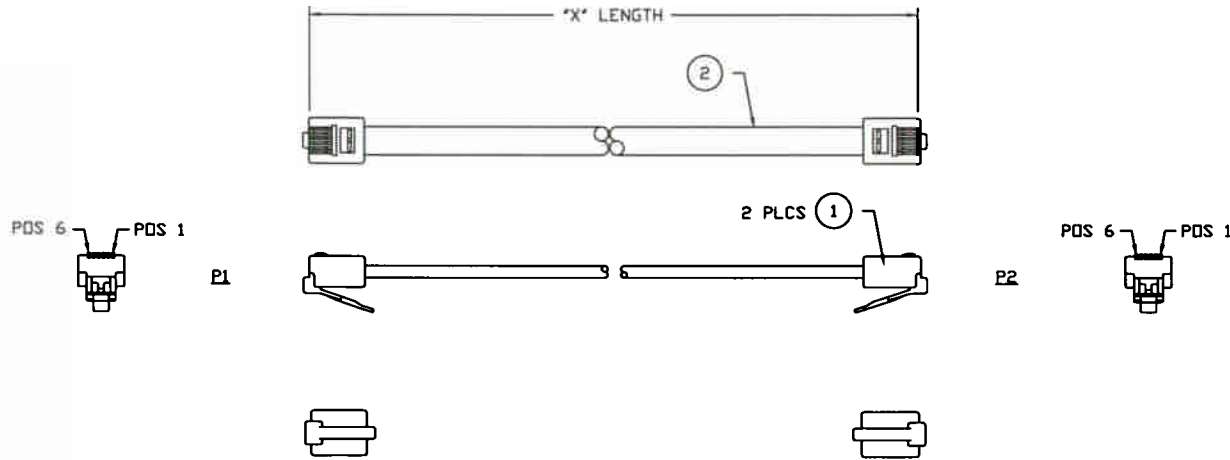


THESE DRAWINGS AND SPECIFICATIONS ARE THE SOLE PROPERTY OF I/O INTERCONNECT INC., U.S.A. AND SHALL NOT BE REPRODUCED, COPIED, OR USED IN ANY MANNER WITHOUT THE PRIOR WRITTEN CONSENT OF I/O INTERCONNECT INC. OR ITS AFFILIATED SUBSIDIARIES.

DWG. NO.	ZONE	REV.	DESCRIPTION	DATE	APPROVED
XX6-512-D		C	ECN C285	08/07/01	K.C.
		D	ADD NOTE & CHANGE P/N TO ROHS COMPLIANT PER ECN D930	04/21/05	M.G.



WIRE DIAGRAM

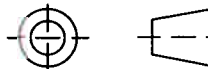
	P1	P2
1	WHITE	6
2	BLACK	5
3	RED	4
4	GREEN	3
5	YELLOW	2
6	BLUE	1

NOTES: UNLESS OTHERWISE SPECIFIED.

1. CABLE TO BE BUNDLED AND TWIST TIED.
2. TEST CABLE FOR ALL OPENS & SHORTS.
3. PACKAGE CABLE ASSEMBLY INDIVIDUALLY IN PLASTIC BAG. PACKAGE INDIVIDUAL BAG PER LOT NUMBER QUANTITIES.
4. MARK OUTSIDE OF SHIPPING BOX WITH CUSTOMER PART NUMBER.
5. PLACE BAR CODE LABEL ON THE OUTSIDE OF EACH SHIPPING BOX LABEL DETAIL SEE DWG 090-990-001.
6. ALL METRICAL SHOULD BE ROHS COMPLIANT.

T.B.D.	GLF-466-256-512-D	25.0 FT ± 4.0 IN 7.62 M ± 101.6 MM
H1661-14-ND	GLF-466-146-512-D	14.0 FT ± 3.0 IN 4.27 M ± 76.2 MM
H1661-07-ND	GLF-466-076-512-D	7.0 FT ± 2.0 IN 2.13 M ± 50.8 MM
PART NUMBER DIGI-KEY	PART NUMBER I/O INTERCONNECT	LENGTH "X"

THIRD ANGLE PROJECTION



I/O INTERCONNECT
SANTA ANA, CALIFORNIA

DR. BY JERRY BLM	DATE/REV 04/21/05	TITLE 6P6C MODULAR, STANDARD STYLE, WHITE, CABLE ASSEMBLY P/N: H1661-XX-ND
DR. CHECKED		PART NO. GLF-466-XX6-512-D
REV.		DWG NO. GLF-466-XX6-512-D
ENGR.		CUSTOMER DIGI-KEY
QTY./PACK		REV. D
SA	SCALE NONE	SHEET 1 OF 1

UNLESS OTHERWISE NOTED:
1) DIMENSIONS ARE IN INCHES (MILLIMETER)
2) TOLERANCES:
XXX ± 0.25 (6.35)

ITEM	QTY	MFG.	I/OI PART NO.	DESCRIPTION
2	"X"	I/OI	GLF-120-610-020	MODULAR CABLE, 26 AWG (7/34) BARE COPPER, 6 CONDUCTOR, UNSHIELDED, WHITE PVC, ROHS COMPLIANT.
1	2 PCS	I/OI	GLF-325-661-50X	CONNECTOR, MODULAR PLUG, 6 POSITION, 6 CONDUCTOR, 50u" Au, FLAT TYPE EXIT, ROHS COMPLIANT.

CABLE ASSEMBLY PARTS LIST