

# RED INDICATES ORIGINAL

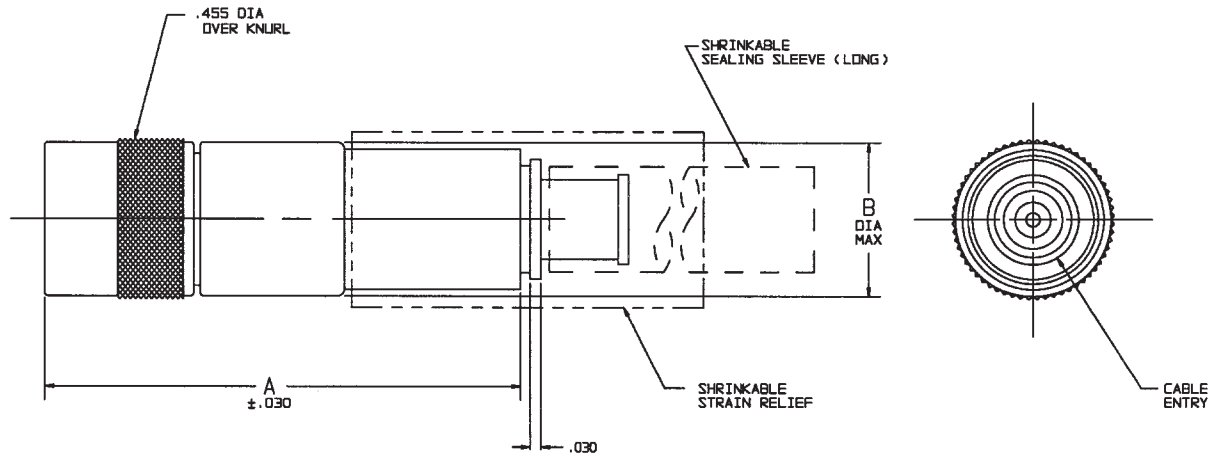
DATA CONTAINED IN THIS DOCUMENT IS PROPRIETARY TO TROMPETER ELECTRONICS, INC. AND SHALL NOT BE DISCLOSED, COPIED OR USED FOR PROCUREMENT OR MANUFACTURE WITHOUT EXPRESS WRITTEN PERMISSION.

REVISIONS			310-0062	SH 1
REV	EO	DESCRIPTION	OWN	APPROVED
L	12388	ADDED -224 & -225 NOTE 3 THREADED WAS 4 LUG; SEE ECO	DBN	<i>WM</i>
				4/6/98

DASH NO	CABLES ACCOMMODATED	A DIM	B DIA	C HEX	ASSEMBLE PER
-201	M17/178-00002				
-202	TWC-78-1				
-203	TWC-124-1A				
-204	10602, RAYCHEM	1.146	.339	.255	TAI-143
-205	TWAC-78-1F2				
-206	782600130, RAYCHEM				
-207	83310 BELDEN	1.352	.442	.344	TAI-167
-208	202-3927 MICRODOT				
-209	202-3942 MICRODOT	1.146	.339	.255	TAI-143
-210	8451 BELDEN				TAI-167
-211	202-3934 MICRODOT				
-212	2524E0114, RAYCHEM				
-213	TWC-78-2	1.352	.442	.344	TAI-144
-214	TWC-124-2				
-215	BL-982 TIMES				
-216	BL-1242 TIMES				
-217	GC875TM24H, GRUMMAN				
-218	EPD 22188B, RAYCHEM				
-219	252601114, RAYCHEM				
-220	GC875RR1, GRUMMAN	1.146	.339	.255	TAI-143
-221	10614, RAYCHEM				
-222	10613, RAYCHEM				
-223	HMS2-1149, HUGHES				
-224	TWCP-124-3	1.352	.442	.344	TAI-144
-225	PS685PL, PRIME STOCK				

DASH NO	CABLES ACCOMMODATED	A DIM	B DIA	C HEX	ASSEMBLE PER
-301	GC875GC1, GRUMMAN				
-302	GC875GB1, GRUMMAN	1.146	.339	.255	TAI-153
-303	5022E5111, RAYCHEM				
-304	7528A5314, RAYCHEM				
-305	M17/177-00001				
-306	295-3804 MICRODOT				
-307	TRC-50-2	1.352	.442	.344	TAI-173
-308	M17/134-00002				
-309	TRC-75-1				TAI-198
-310	TRC-75-2				TAI-173
-311	TRC-50-1	1.146	.339	.255	TAI-153

INCH	MM
.005	0.13
.030	0.76
.255	6.48
.339	8.61
.344	8.74
.442	11.23
.455	11.56
1.00	25.40
1.146	29.11
1.25	31.75
1.352	34.34
1.75	44.45



-207 SHOWN

- ▲ 1 SHRINKABLE STRAIN RELIEF AND/OR SHRINKABLE SEALING SLEEVE SUPPLIED LOOSE AS FOLLOWS:
- a. CABLE GROUPS -207, -210 & -307:
    - 1 SHRINKABLE STRAIN RELIEF (1.00 LONG)
    - 1 SHRINKABLE SEALING SLEEVE (1.25 LONG)
  - b. CABLE GROUPS -201 THROUGH -206, -208, -209, -217 THROUGH -223, -301, -302, -303 & -309
    - 1 SHRINKABLE SEALING SLEEVE (1.25 LONG)
  - c. CABLE GROUPS -211 THROUGH -216, -305, -306 & -308
    - 1 SHRINKABLE STRAIN RELIEF (1.75 LONG)
3. THREADED SUBMINIATURE CONCENTRIC TWINAX (4 PIECE ASSY) AND TRIAX (6 PIECE ASSY), FULL CRIMP CABLE PLUG
2. FINISH: TFS-1A (NICKEL)
1. ALL DIM ARE IN INCHES

6. EXAMPLE OF COMPLETE MODEL NO:  
 PL3155AC-201  
 BASIC MODEL NO \_\_\_\_\_ CABLE GROUP DASH NO \_\_\_\_\_
5. EXAMPLE OF COMPLETE PART NO:  
 310-0062-201  
 BASIC PART NO \_\_\_\_\_ CABLE GROUP DASH NO \_\_\_\_\_



QTY	DESCRIPTION	PART NUMBER	ITEM
TOL UNLESS SPECIFIED XX ± .03 XXX ± .005 XXXXX ANGLES	<b>TROMPETER</b> RF connectivity	PL3155AC/PL3155ACS	
DWN DBN 4/6/98	MATERIAL	CODE IDENT	DRAWING NO.
CHK WM 4-7-98		14949	310-0062
ENGR	SCALE 4/1	DATE 7-2-85	REV L
APPR			SHEET 1 OF 2