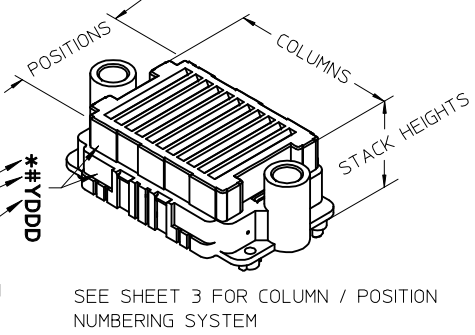


ASSY MACHINE IDENTIFIER
 LEAD CODE:
 0 = TIN/LEAD
 2 = TIN
 DATE CODE:
 YEAR - DAY OF YEAR
 LOCATED APPROX AS SHOWN



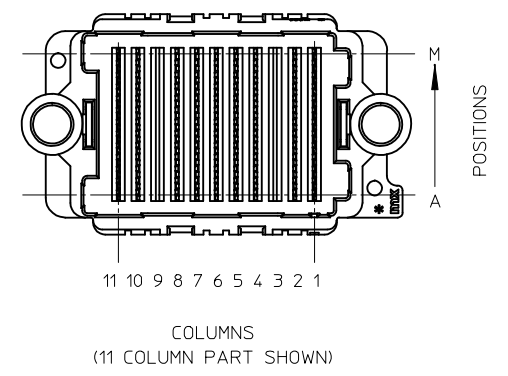
- NOTES:
- HOUSING MATERIAL: LCP, GLASS FILLED, UL 94V-0, BLACK
 CONTACT MATERIAL: HIGH PERFORMANCE ALLOY
 SOLDER NAIL MATL: STAINLESS STEEL
 SOLDER CHARGE MATL: SEE CHART
 - FINISH: SELECT GOLD 30 MI MIN IN CONTACT AREA
 SELECT TIN: 100 MI MIN IN PCB TAIL BOTH OVER NICKEL
 - PRODUCT SPECIFICATION: PS-45802-001
 - COSMETIC SPECIFICATION: PS-45499-002 CLASS B
 - PACKAGING SPECIFICATION: PK-45802-001
 - DATUM -D- IS THE CENTERLINE OF THE 2 END SLOTS. END SLOT CENTERLINES ARE ESTABLISHED USING 2 MEASUREMENTS FOR EACH SLOT TAKEN 7.20 EITHER SIDE OF DATUM -B-.

AVAILABLE STACK HEIGHTS		
STACK HEIGHT	DIM B	DIM C
8mm	10.51	8.90
9mm	11.51	9.90
10mm	12.51	10.90
11mm	13.51	11.90
12mm	14.51	12.90
13mm	15.51	13.90
14mm	16.51	14.90
15mm	17.51	15.90
17mm	19.51	17.90
18mm	20.51	18.90

AVAILABLE COLUMNS		
NO OF COLUMNS	DIM A	DIM D
7	12.00	31.89
9	16.00	35.89
11	20.00	39.89
13	24.00	43.89
15	28.00	47.89
17	32.00	51.89
19	36.00	55.89
21	40.00	59.89
23	44.00	63.89
25	48.00	67.89
27	52.00	71.89

MOD LASER MARKING EC NO: UCP2013-3672 DRW:NET IBARRA 2013/03/12 CHKD:BBARKER 2013/03/12 APPR:SMILLER 2013/03/19	QUALITY SYMBOLS $\nabla F=0$ $\nabla E=0$ $\nabla E=0$	GENERAL TOLERANCES (UNLESS SPECIFIED) <table border="1"> <tr><th>mm</th><th>INCH</th></tr> <tr><td>4 PLACES ± ---</td><td>± ---</td></tr> <tr><td>3 PLACES ± 0.10</td><td>± ---</td></tr> <tr><td>2 PLACES ± 0.15</td><td>± ---</td></tr> <tr><td>1 PLACE ± 0.25</td><td>± ---</td></tr> <tr><td>0 PLACE ±</td><td>±</td></tr> </table>	mm	INCH	4 PLACES ± ---	± ---	3 PLACES ± 0.10	± ---	2 PLACES ± 0.15	± ---	1 PLACE ± 0.25	± ---	0 PLACE ±	±	DIMENSION STYLE MM ONLY	SCALE 2:1	DESIGN UNITS METRIC	THIRD ANGLE PROJECTION
		mm	INCH															
		4 PLACES ± ---	± ---															
		3 PLACES ± 0.10	± ---															
2 PLACES ± 0.15	± ---																	
1 PLACE ± 0.25	± ---																	
0 PLACE ±	±																	
DRAWN BY RHODGE	DATE 2007/05/31	TITLE HIGH DENSITY MEZZININE RECEPTACLE ASSEMBLY SELECTIVELY LOADED																
CHECKED BY RHODGE	DATE 2007/11/13	molex																
APPROVED BY JCOMERC I	DATE 2007/11/14	MATERIAL NO. SEE TABLE	DOCUMENT NO. SD-46553-001	SHEET NO. 1 OF 3														

	10	9	8	7	6	5	4	3	2	1
F	MATERIAL NUMBER	STACK HEIGHT	TOTAL COLUMNS	LOADED COLUMNS	AVAILABLE NO OF CKTS	VOIDED COLUMNS	SOLDER MATERIAL	PK-45802-001	STYLE: MM/COLUMNS	
	46553-1200	18mm	11	1,2,4,5,8,9,10,11	104	3,6,7	TIN	18mm / 11 COLUMNS		
	46553-1000	18mm	11	1,2,4,5,8,9,10,11	104	3,6,7	TIN / LEAD	18mm / 11 COLUMNS		
	46553-2200	10mm	07	1,2,4,5,7	65	3,6	TIN	10mm / 7 COLUMNS		
E										
D										
C										
B										



SEE SHEET 1 EC NO: UCP2013-3872 DRWN: TIBARRA 2013/03/12 CHKD: BBARKER 2013/03/12 APPR: SMILLER 2013/03/19	QUALITY SYMBOLS	GENERAL TOLERANCES (UNLESS SPECIFIED)	DIMENSION STYLE	SCALE	DESIGN UNITS	THIRD ANGLE PROJECTION																		
	$\nabla = 0$ $\nabla = 0$ $\nabla = 0$	<table border="1"> <thead> <tr> <th></th> <th>mm</th> <th>INCH</th> </tr> </thead> <tbody> <tr> <td>4 PLACES</td> <td>± ---</td> <td>± ---</td> </tr> <tr> <td>3 PLACES</td> <td>± 0.10</td> <td>± ---</td> </tr> <tr> <td>2 PLACES</td> <td>± 0.15</td> <td>± ---</td> </tr> <tr> <td>1 PLACE</td> <td>± 0.25</td> <td>± ---</td> </tr> <tr> <td>0 PLACE</td> <td>±</td> <td>±</td> </tr> </tbody> </table>		mm	INCH	4 PLACES	± ---	± ---	3 PLACES	± 0.10	± ---	2 PLACES	± 0.15	± ---	1 PLACE	± 0.25	± ---	0 PLACE	±	±	MM ONLY	1:1	METRIC	
		mm	INCH																					
	4 PLACES	± ---	± ---																					
3 PLACES	± 0.10	± ---																						
2 PLACES	± 0.15	± ---																						
1 PLACE	± 0.25	± ---																						
0 PLACE	±	±																						
DESCRIPTION	ANGULAR ±1/2° DRAFT WHERE APPLICABLE MUST REMAIN WITHIN DIMENSIONS	<table border="1"> <thead> <tr> <th>DRAWN BY</th> <th>DATE</th> </tr> </thead> <tbody> <tr> <td>RHODGE</td> <td>2007/05/31</td> </tr> <tr> <th>CHECKED BY</th> <th>DATE</th> </tr> <tr> <td>RHODGE</td> <td>2007/11/13</td> </tr> <tr> <th>APPROVED BY</th> <th>DATE</th> </tr> <tr> <td>JCOMERCI</td> <td>2007/11/14</td> </tr> </tbody> </table>	DRAWN BY	DATE	RHODGE	2007/05/31	CHECKED BY	DATE	RHODGE	2007/11/13	APPROVED BY	DATE	JCOMERCI	2007/11/14	TITLE									
DRAWN BY	DATE																							
RHODGE	2007/05/31																							
CHECKED BY	DATE																							
RHODGE	2007/11/13																							
APPROVED BY	DATE																							
JCOMERCI	2007/11/14																							
REV			MATERIAL NO.	DOCUMENT NO.		SHEET NO.																		
C			SEE TABLE	SD-46553-001		3 OF 3																		
			THIS DRAWING CONTAINS INFORMATION THAT IS PROPRIETARY TO MOLEX INCORPORATED AND SHOULD NOT BE USED WITHOUT WRITTEN PERMISSION																					