

THIS DRAWING IS UNPUBLISHED.

RELEASED FOR PUBLICATION

ALL RIGHTS RESERVED.

© COPYRIGHT - By -

DO NOT SCALE

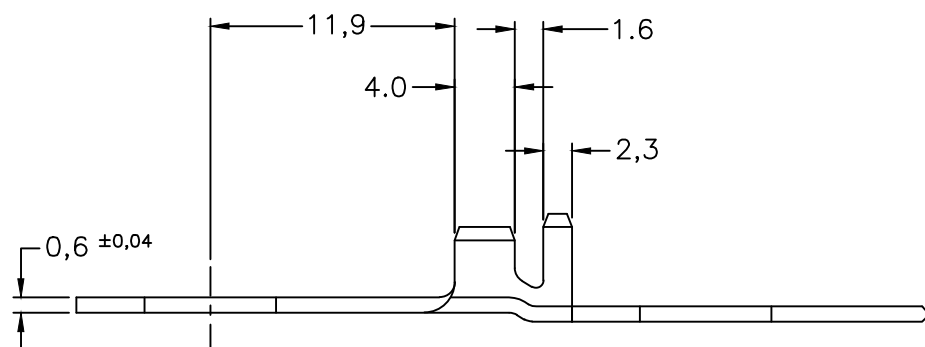
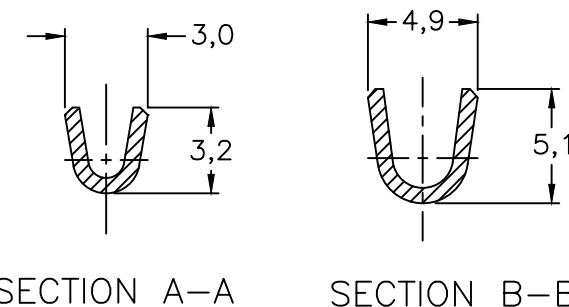
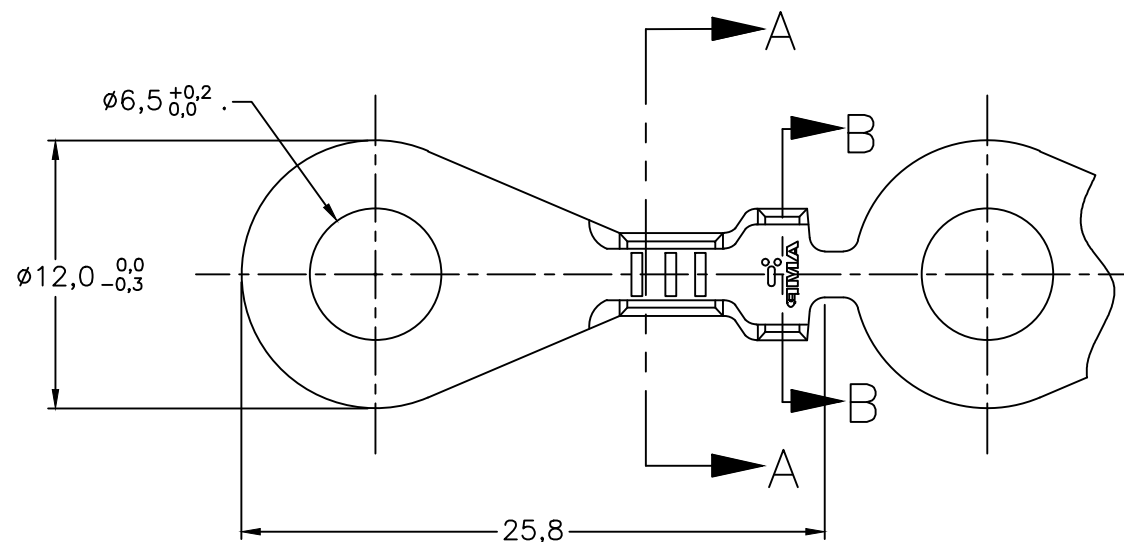
CAD AutoCAD  
DO NOT REVISE EXCEPT BY CAD

LOC AP

DIST -

REVISIONS

| P | LTR | DESCRIPTION               | DATE      | DWN | APVD |
|---|-----|---------------------------|-----------|-----|------|
|   | B2  | CHANGE SPEC ECO-13-011010 | 14AUG2013 | NCL | DAO  |



|                                       |                  |                           |          |
|---------------------------------------|------------------|---------------------------|----------|
| OBSOLETE<br>3                         | ESTANHADO/TINNED | LATÃO/BRASS 2             | 880628-5 |
|                                       | ESTANHADO/TINNED | BRONZE FOSF./PHOS. BRONZE | 880628-4 |
|                                       | ---/---          | BRONZE FOSF./PHOS. BRONZE | 880628-3 |
|                                       | ESTANHADO/TINNED | LATÃO/BRASS               | 880628-2 |
|                                       | ---/---          | LATÃO/BRASS               | 880628-1 |
| FINISH                                |                  | MATERIAL 1                | 880628   |
| WIRE RANGE<br>0,5-1,0 mm <sup>2</sup> |                  | PART NUMBER               |          |

|  |  |  |  |                              |                 |             |              |                    |                        |                      |
|--|--|--|--|------------------------------|-----------------|-------------|--------------|--------------------|------------------------|----------------------|
| WIRE RANGE<br>0,5-1,0 mm <sup>2</sup>  |  | INSULATION RANGE<br>ø2,0-3,3mm   |  | FINISH                       |                 | MATERIAL 1  |              | PART NUMBER        |                        |                      |
| THIS DRAWING IS A CONTROLLED DOCUMENT. |  |  |  | DWN<br>H LIVERARO<br>07MAY99 | TE Connectivity |             |              |                    |                        |                      |
| DIMENSIONS:<br>mm                      |  | TOLERANCES UNLESS OTHERWISE SPECIFIED:   |  | CHK<br>P.L.FARIA<br>09JUL99  |                 |             |              |                    |                        |                      |
|  |  | 0 PLC ± -<br>1 PLC ± 0,3<br>2 PLC ± -<br>3 PLC ± -<br>4 PLC ± -<br>ANGLES ± 1° |  | APVD<br>P.R.SILVA<br>02JUL99 | NAME            |             |              |                    |                        |                      |
|  |  |  |  | PRODUCT SPEC<br>-/-          |                 | RING TONGUE |              |                    |                        |                      |
| MATERIAL<br>SEE TABLE                  |  | FINISH<br>SEE TABLE  |  | APPLICATION SPEC<br>-/-      | WEIGHT<br>-/-   |             | SIZE<br>A3   | CAGE CODE<br>00779 | DRAWING NO<br>C=880628 | RESTRICTED TO<br>-/- |
| CUSTOMER DRAWING                       |  |  |  |                              |                 |             | SCALE<br>S/E | SHEET<br>1 of 1    | REV<br>B2              |                      |

1 - C.A. 272

2 - REBOBINAR INTERCALANDO COM PAPEL

2 - REREELING WITH PAPER INTERLEAVE

3 - OBSOLETE PARTS: OBSOLETE CIS STREAMLINING PER D.RENAUD/D.SINISI