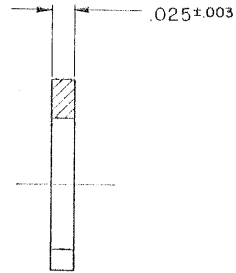
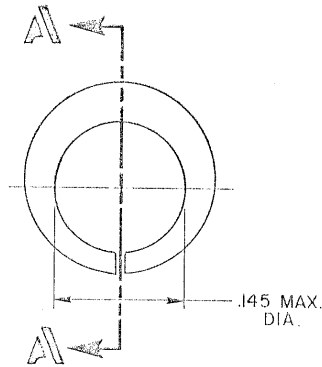


REVISIONS			
REV	LET	DESCRIPTION	DATE
A		REVISED PER CON 7-018,037	8/15/79



SECTION A-A

1. MATERIAL: BERYLLIUM COPPER PER QQ-C-533.

2. FINISH: CADMIUM PLATE PER QQ-P-416 CL2, TYPE II.

3. WEIGHT: .00014 Lbs. [.0035g.] MAX.

© Raychem Corporation 1979

CONNECTOR SPECIFICATION CONTROL DRAWING

UNLESS OTHERWISE SPECIFIED DIMENSIONS ARE IN INCHES BRACKETED DIMENSIONS () ARE METRIC AND TOLERANCES ARE: .XXX: ± .005 (.127mm) .XX: ± () Δ: ±	DRAWN	A M LEE	6-20-79	Raychem <small>RAYCHEM CORPORATION 390 CONSTITUTION DRIVE MENLO PARK, CALIFORNIA 94025</small>	
	CHECKED	[Signature]	6-10-79		
	APPROVED	[Signature]	6-25-79	TITLE <h2 style="text-align: center;">RING, RETAINING</h2>	
	APPROVED				
	APPROVED				
	PROJECT	6448-7072	SIZE	CODE IDENT	DWG. NO.
			C	NO. 06090	CTA-0029
				WEIGHT	SHEET / OF /

If this document is printed it becomes uncontrolled.
 Check with the web for latest revision.

DO NOT SCALE THIS DRAWING