

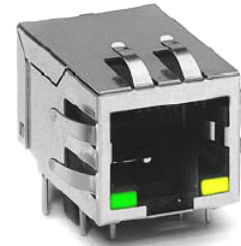


SINGLE RJ45 CONNECTOR MODULE WITH 10/100 BASE-TX MAGNETICS AND LEDS

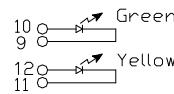
P/N: J1B1211CCD

Feature

- Suitable for CAT 5 & 6 Fast Ethernet Cable or better UTP.
- Meets or exceeds IEEE 802.3 standard for 100 Base-T.
- 350 μ H minimum OCL with 8 mA bias current.
- Minimum 1500 Vrms isolation per IEEE 802.3 requirement.
- All materials are RoHS and UL94-V0 compliant.
- RoHS peak solder rating 260°C.
- Meet EN60950-1 basic insulation requirement.
- Recommended panel.



Part Number	9,10 (Left Led)	11,12 (Right Led)
2	Green	Yellow



Electrical Specifications @ 25°C						
Part Number	Turns Ratio ($\pm 5\%$)		Insertion Loss (dB Max)	Return Loss 100ohm \pm 5ohm (dB Min)		
	TX	RX		1-30MHz	30-60MHz	60-80MHz
J1B1211CCD	1CT : 1CT	1CT : 1CT	-1.0	-18	-14	-12

Electrical Specifications @ 25°C			
Part Number	Crosstalk (dB Min)	Common Mode Rejection (dB Min)	HI-POT (Vac)
	1-100MHz	1-100MHz	@60s
J1B1211CCD	-30	-30	1500

RJ45 Durability Testing Rating & Material Specification				
Part Number	Durability	Mating Force	Shield	
			Material	Finish
J1B1211CCD	750 Insertions	5 lbs./2.268 kgs.	Brass	30 μ inches Nickel over

RJ45 Material Specification				
Part Number	Contact		Housing	
	Material	Plating Area	Material	Specification
J1B1211CCD	Phosphor Brass	50 μ inches Nickel over selective gold plating 6 μ inches	Thermoplastic	UL 94 V-0

* Operating temperature range: -40°C to +85°C. Storage temperature range: -20°C to +125°C.

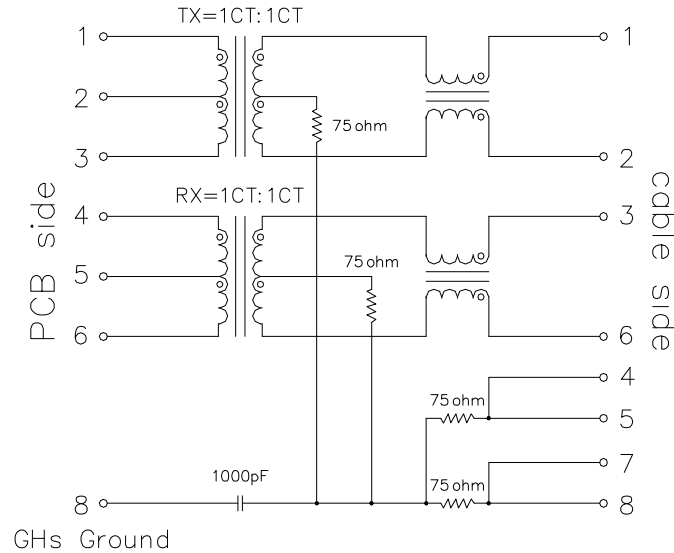
Tel:+86-757-81811611	Fax:+86-757-81811621
E-mail:sales@ceetus.com.cn	Website:www.ceetus.com.cn



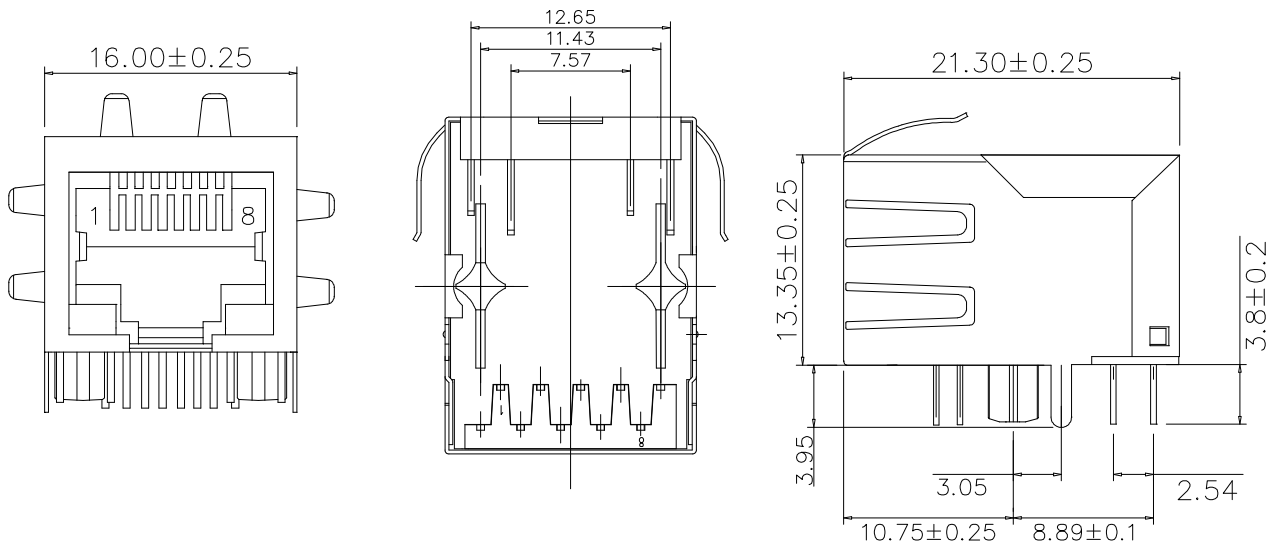
SINGLE RJ45 CONNECTOR MODULE WITH 10/100 BASE-TX MAGNETICS AND LEDS

P/N: J1B1211CCD

Schematic



Mechanical



Units: mm.

Tolerance: ± 0.25 unless specified.

Tel: +86-757-81811611

E-mail: sales@ceetus.com.cn

Fax: +86-757-81811621

Website: www.ceetus.com.cn



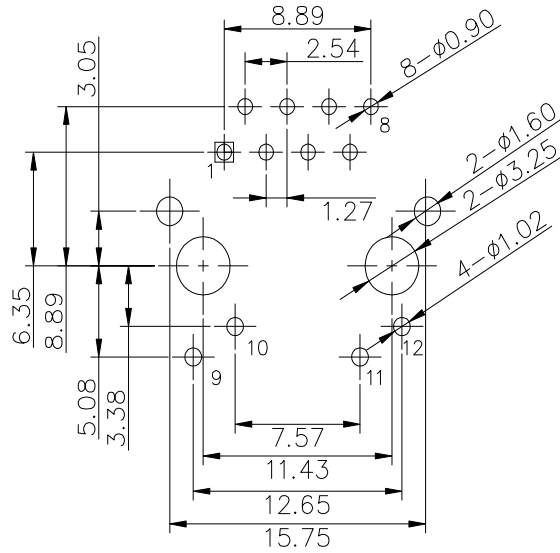
Cetus International Ltd.

**SINGLE RJ45 CONNECTOR MODULE WITH 10/100 BASE-TX
MAGNETICS AND LEDS**

P/N: J1B1211CCD

Page : 3/3

PCB Layout Mounting Hole (Top View)



Tel:+86-757-81811611	Fax:+86-757-81811621
E-mail:sales@ceetus.com.cn	Website:www.ceetus.com.cn