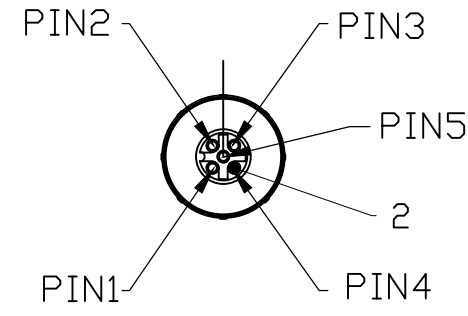
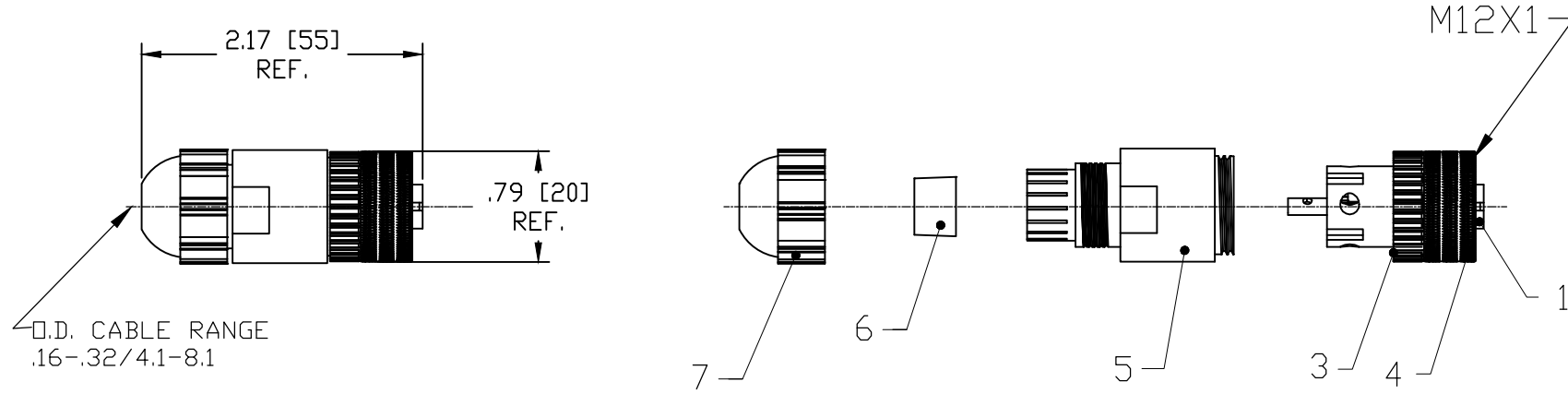
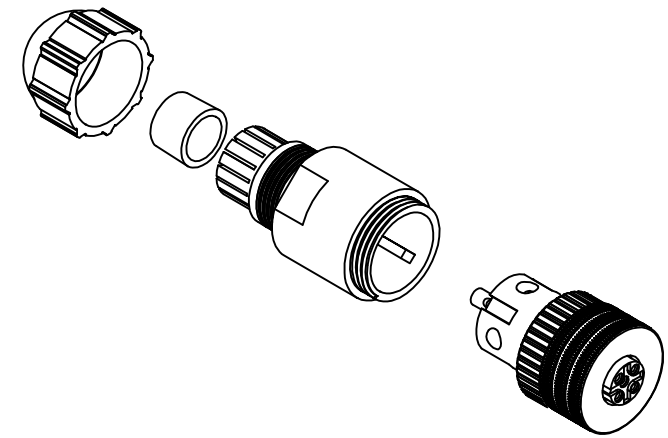


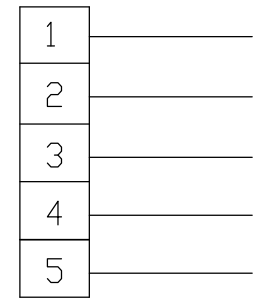
MATERIAL NUMBER	ENGINEERING NUMBER
1200710043	8A5000-32

TORQUE RECOMMENDATION:

CABLE SCREW : 2.4Nm
 THREAD BETWEEN HOUSING AND INSERT: 0.8Nm
 STRAND SCREW (CONTACT): 0.4Nm



FEMALE FACE VIEW



WIRING CHART

VOLTAGE RATING	30VAC/36VDC
AMPERAGE RATING	4 AMPS
PROTECTION	IP67
OPERATING TEMPERATURE	-25°C TO 90°C
CSA CERTIFICATIONS	CSA CERTIFIED, FILE NO. LR6837

ITEM		COMPONENT	MATERIAL	FINISH
1	1	INSERT	POLYAMIDE	BLACK
2	5	CONTACTS	COPPER ALLOY	SILVER PLATED
3	1	O-RING	NITRILE	BLACK
4	1	COUPLING NUT	BRASS	NICKEL PLATED
5	1	MOLDED BODY	POLYAMIDE	BLACK
6	1	GROMMET	NITRILE	BLACK
7	1	CORD GRIP BODY	POLYAMIDE	BLACK

DESCRIPTION EC NO: IPG2013-1257 DRWN: REISSNER CHKD: APOHL APPR: CBURGER 13.02.13	QUALITY SYMBOLS	GENERAL TOLERANCES (UNLESS SPECIFIED) mm INCH 4 PLACES ±--- ±--- 3 PLACES ±--- ±--- 2 PLACES ±--- ±--- 1 PLACE ±0.3 ±--- 0 PLACE ±0.5 ±--- ANGULAR ± 1 °	DIMENSION STYLE	SCALE	DESIGN UNITS	THIRD ANGLE PROJECTION
			MM	---	METRIC	
				DRAWN BY DATE TWOLDEGE 2009/08/07 CHECKED BY DATE APOHL 2013/02/15 APPROVED BY DATE --- ---	FA M12 5P AC FE STR UNSH BK BRA	
	A1	DRAFT WHERE APPLICABLE MUST REMAIN WITHIN DIMENSIONS	MATERIAL NO. 1200710043	DOCUMENT NO. SD-120071-006	SHEET NO. 1 OF 1	

molex

THIS DRAWING CONTAINS INFORMATION THAT IS PROPRIETARY TO MOLEX INCORPORATED AND SHOULD NOT BE USED WITHOUT WRITTEN PERMISSION