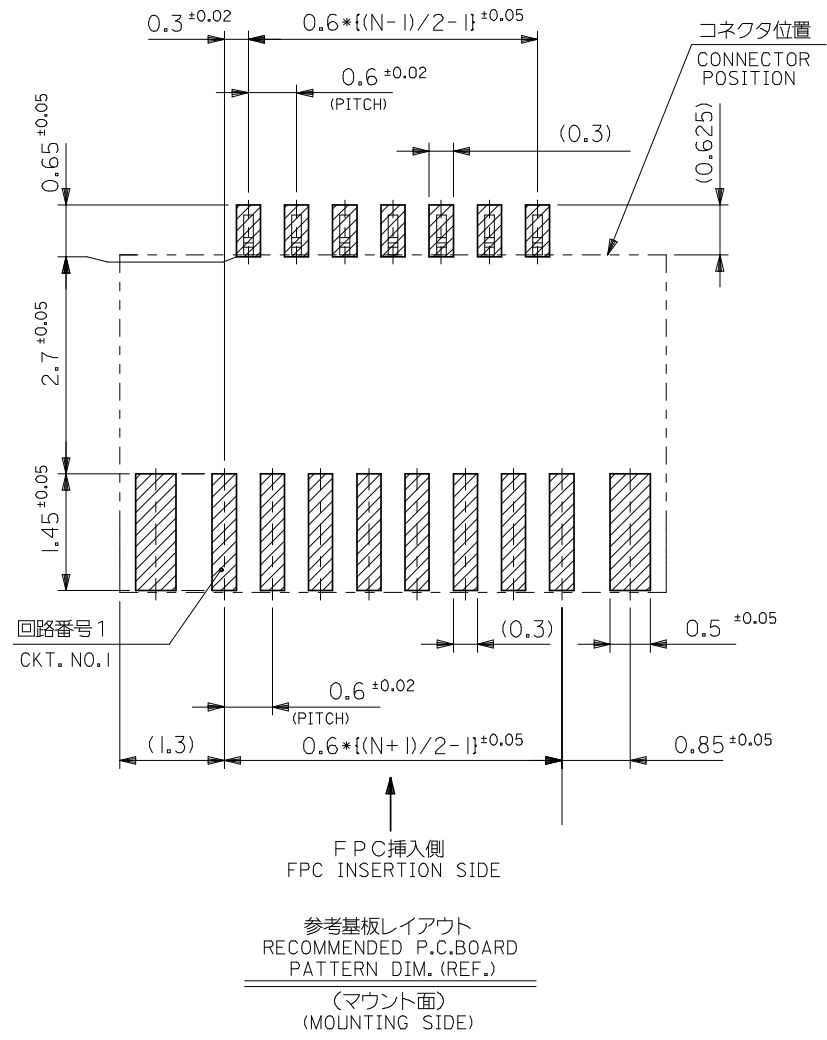


注記 NOTES

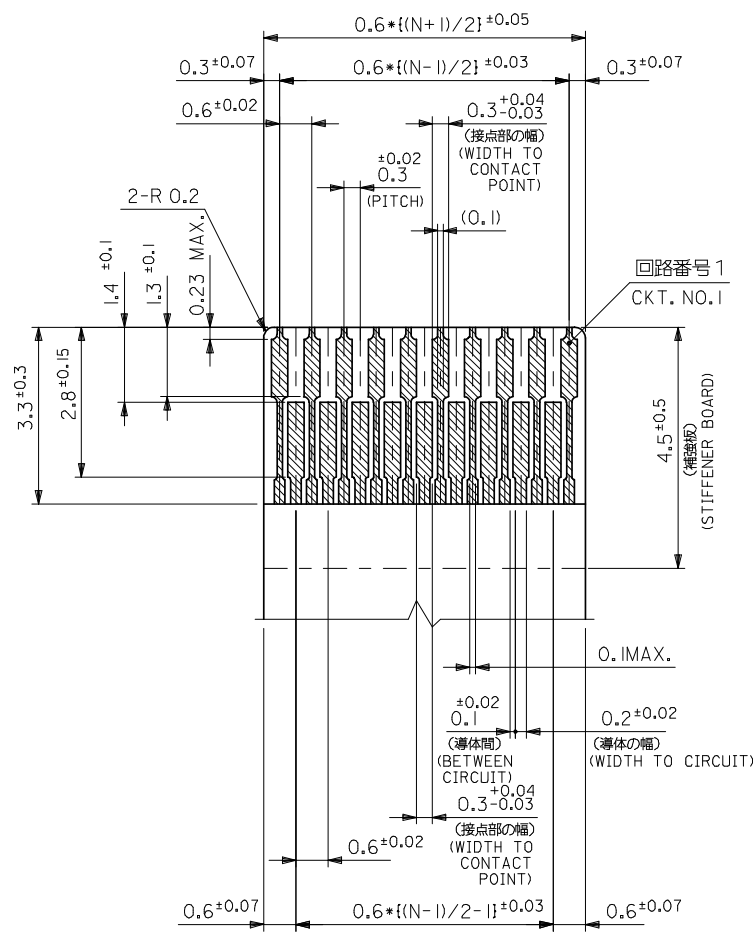
- 使用材料 MATERIAL
 ハウジング HOUSING : LCP , UL94V-0
 アクチュエータ ACTUATOR : PA46 , UL94V-0
 ターミナル : リン青銅 (t=0.12)、ニッケル下地 金メッキ
 TERMINAL PHOSPHOR BRONZE, GOLD OVER NICKEL PLATING.
 金具 : リン青銅 (t=0.2)、ニッケル下地 錫メッキ
 STOPPER PHOSPHOR BRONZE, TIN OVER NICKEL PLATING.
- △ ソルダーテール半田付け面のズレ量は、基準面 **R** に対し、
 上方向0MAX.、下方向0.1MAXIMUMとする。
 又、相互のバラツキ量は0.1MAXIMUMとする。
 MISALIGNMENT OF SOLDER TAILS AND FITTING NAILS FROM **R**
 UPPER DIRECTION : 0 MAX., LOWER DIRECTION : 0.1 MAXIMUM
 OFFSET BETWEEN SOLDER TAILS AND FITTING NAILS : 0.1 MAXIMUM
- 一般公差 : ±0.3
 GENERAL TOLERANCES : ±0.3
- 本製品は 54809-**67 の鉛フリー品である。
 THIS PRODUCT IS LEAD FREE OF 54809-**67.

18.6	18.0	17.4	20.6	54809-6175	54809-6169	61
15.6	15.0	14.4	17.6	54809-5175	54809-5169	51
13.8	13.2	12.6	15.8	54809-4575	54809-4569	45
12.0	11.4	10.8	14.0	54809-3975	54809-3969	39
11.4	10.8	10.2	13.4	54809-3775	54809-3769	37
10.8	10.2	9.6	12.8	54809-3575	54809-3569	35
10.2	9.6	9.0	12.2	54809-3375	54809-3369	33
9.6	9.0	8.4	11.6	54809-3175	54809-3169	31
8.4	7.8	7.2	10.4	54809-2775	54809-2769	27
7.8	7.2	6.6	9.8	54809-2575	54809-2569	25
6.6	6.0	5.4	8.6	54809-2175	54809-2169	21
6.0	5.4	4.8	8.0	54809-1975	54809-1969	19
4.8	4.2	3.6	6.8	54809-1575	54809-1569	15
3.6	3.0	2.4	5.6	54809-1175	54809-1169	11
D	C	B	A	EMBOSSED TAPE		MATERIAL NO.
				ORDER No. オーダー番号		CIRCUITS

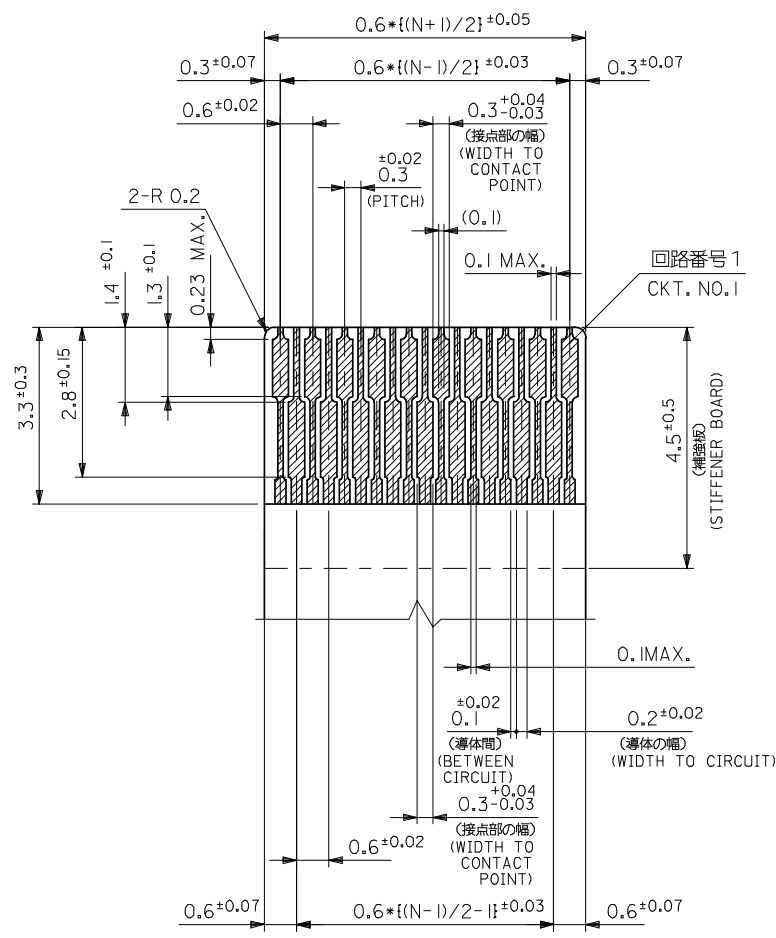
REVISED EC NO: J2008-4034 DRW: MNABEI 2008/05/28 CHK: THARUYAMA 2008/05/28 APPR: NUKITA 2008/05/28	GENERAL TOLERANCES (UNLESS SPECIFIED)		DIMENSION STYLE MM ONLY		SCALE ---	DESIGN UNITS METRIC	THIRD ANGLE PROJECTION
	10 UNDER	±0.2	DRAWN BY TUENO	DATE '04/02/10	TITLE 0.3 FPC CONN E/O HSG ASSY GOLD PLT H=1.3 -LEAD FREE-		
	10 OVER 30 UNDER	±0.25	CHECKED BY MSASAO	DATE '04/02/10			
	30 OVER	±0.3	APPROVED BY MSASAO	DATE '04/02/10	MOLEX INCORPORATED		
	ANGULAR	±3 °	MATERIAL NO.	DOCUMENT NO.			
DRAFT WHERE APPLICABLE MUST REMAIN WITHIN DIMENSIONS		SEE TABLE		SD-54809-038		1 OF 3	
THIS DRAWING CONTAINS INFORMATION THAT IS PROPRIETARY TO MOLEX INCORPORATED AND SHOULD NOT BE USED WITHOUT WRITTEN PERMISSION							



REVISED EC NO: J2008-4034 DRWN: NABEI CHKD: THARYAMA APPR: NUKITA 2008/05/28 2008/05/28 2008/05/28	GENERAL TOLERANCES (UNLESS SPECIFIED)		DIMENSION STYLE MM ONLY		54809-***69		MODEL NO.	
	10 UNDER ± 0.2		DRAWN BY DATE TUENO '04/02/10		SCALE ---	DESIGN UNITS METRIC	THIRD ANGLE PROJECTION	
	10 OVER 30 UNDER ± 0.25		CHECKED BY DATE MSASAO '04/02/10		TITLE 0.3 FPC CONN E/O HSG ASSY GOLD PLT H=1.3 -LEAD FREE-			
	30 OVER ± 0.3		APPROVED BY DATE MSASAO '04/02/10		MOLEX INCORPORATED			
	ANGULAR ± --- °		MATERIAL NO.		DOCUMENT NO.		SHEET NO.	
	DRAFT WHERE APPLICABLE MUST REMAIN WITHIN DIMENSIONS		SEE SHEET 1		SD-54809-038		2 OF 3	
THIS DRAWING CONTAINS INFORMATION THAT IS PROPRIETARY TO MOLEX INCORPORATED AND SHOULD NOT BE USED WITHOUT WRITTEN PERMISSION								



適合FPC推奨寸法 1
 APPLICABLE FPC
 RECOMMENDED DIM. NO.1
 (仕上がり厚さ: 0.2 ± 0.03)
 (THICKNESS : 0.2 ± 0.03)



適合FPC推奨寸法 2
 APPLICABLE FPC
 RECOMMENDED DIM. NO.2
 (仕上がり厚さ: 0.2 ± 0.03)
 (THICKNESS : 0.2 ± 0.03)

FPCについて:
 打抜き方向は導体側から補強板側を推奨致します。
 補強フィルム材質はポリイミドを推奨致します。
 接着剤は熱硬化接着剤を推奨致します。

ABOUT FPC :
 RECOMMENDED PUNCHER DIRECTION :
 FROM CONDUCTOR SIDE TO STIFFENER BOARD SIDE.
 RECOMMENDED MATERIAL :
 STIFFENER FILM : POLYIMIDE
 BONDING AGENT : THERMOSETTING BONDING AGENT

REVISED EC NO: J2008-4034 DRWN: MWABEI CHKD: THARUYAMA APPR: NUKITA	DESCRIPTION 2008/05/28 2008/05/28 2008/05/28	GENERAL TOLERANCES (UNLESS SPECIFIED)		DIMENSION STYLE MM ONLY		54809-***69		MODEL NO.			
		10 UNDER		±0.2	DRAWN BY YSAKIYAM		SCALE ---	DESIGN UNITS METRIC		THIRD ANGLE PROJECTION	
		10 OVER 30 UNDER		±0.25	DATE '04/06/15		TITLE 0.3 FPC CONN E/O HSG ASSY GOLD PLT H=1.3 -LEAD FREE-				
		30 OVER		±0.3	CHECKED BY MHAYASHI		DATE '04/06/15	MOLEX INCORPORATED			
		ANGULAR		±3 °	APPROVED BY MSASAO		DATE '04/06/15				
DRAFT WHERE APPLICABLE MUST REMAIN WITHIN DIMENSIONS		SEE SHEET 1		THIS DRAWING CONTAINS INFORMATION THAT IS PROPRIETARY TO MOLEX INCORPORATED AND SHOULD NOT BE USED WITHOUT WRITTEN PERMISSION							

F

E

D

C

B

A

F

E

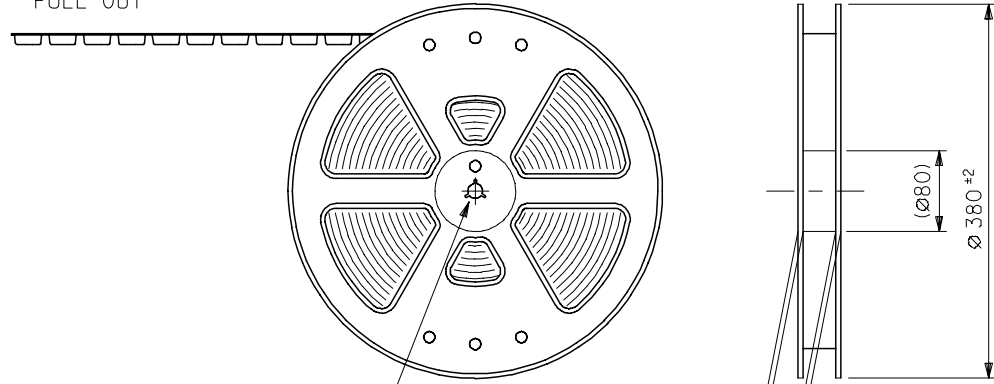
D

C

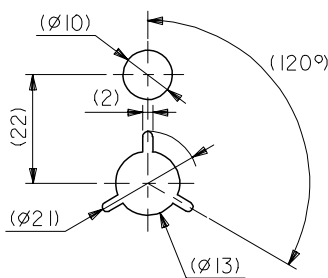
B

A

引き出し方向
PULL OUT



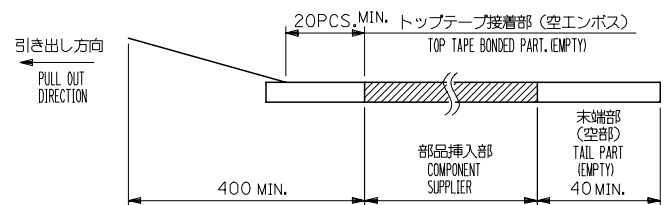
"F"



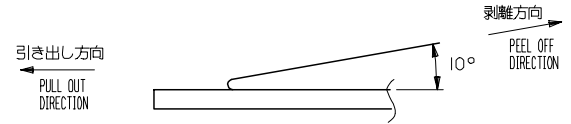
DETAIL "F"

注記 NOTES

- 製品詳細寸法については、図面SD-54809-038を参照下さい。
RE DETAILED DIMENSION, SEE SD-54809-038.
- 梱包数量：2500個/リール
NUMBER OF CONNECTORS : 2500PCS/REEL
- リードテープ長さ LEAD TAPE LENGTH



- トップテープの剥離強度：0.1N~1.3N (10gf~130gf)
(剥離方向は下図参照)
尚、本規格値は出荷時に適用。(但し、輸送時に剥離が発生しないこと。)
PEELING OFF FORCE OF TOP TAPE : 0.1N~1.3N(10gf~130gf)
(PEELING DIRECTION AS SHOWN IN FOLLOWING FIG.)
THIS REQUIREMENT SHOULD BE APPLIED AT SHIPMENT.
PEEL OFF SHOULD NOT BE ALLOWED, DURING TRANSPORTATION.



- 材料 (MATERIAL)
キャリアテープ (CARRIER TAPE) : ポリプロピレン (POLYPROPYLENE)
トップテープ (TOP TAPE) : PET, PE, PEF
リール (REEL) : ポリスチレン (PS) <リサイクル材を含む>
POLYSTYRENE(PS) <RECYCLE MATERIAL CONTAINED>
- 本製品は 54809-**95 の鉛フリー品である。
THIS PRODUCT IS LEAD FREE OF 54809-**95.

REVISED EC NO: J2006-0662 DRWN: NABEI 2005/08/31 CHKD: KTOYODA 2005/09/01 APPR: NUKITA 2005/09/06	GENERAL TOLERANCES (UNLESS SPECIFIED)		DIMENSION STYLE MM ONLY		54809-**75 MODEL NO.		
	10 UNDER	±0.2	DRAWN BY	DATE	SCALE	DESIGN UNITS	
	10 OVER 30 UNDER	±0.25	TUENO	'04/02/10	---	METRIC	
	30 OVER	±0.3	CHECKED BY	DATE	THIRD ANGLE PROJECTION		
	ANGULAR ±3 °	APPROVED BY		DATE	TITLE		
	DRAFT WHERE APPLICABLE MUST REMAIN WITHIN DIMENSIONS	MSASAO		'04/02/10	EMBSTP PKG FOR 0.3 FPC CONN E/O GOLD PLT H=1.3 -LEAD FREE-		
		MATERIAL NO.		DATE	MOLEX INCORPORATED		
		SEE CHART		'04/02/10	DOCUMENT NO.	SHEET NO.	
		SIZE A3		SD-54809-039		1 OF 4	
		THIS DRAWING CONTAINS INFORMATION THAT IS PROPRIETARY TO MOLEX INCORPORATED AND SHOULD NOT BE USED WITHOUT WRITTEN PERMISSION					

10 9 8 7 6 5 4 3 2 1

F

E

D

C

B

A

F

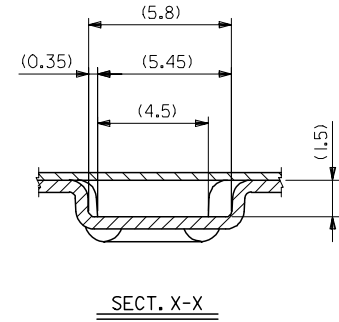
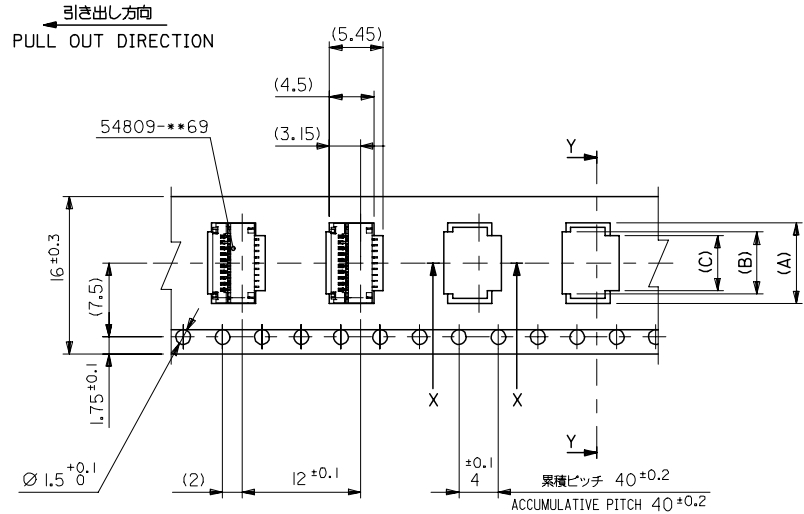
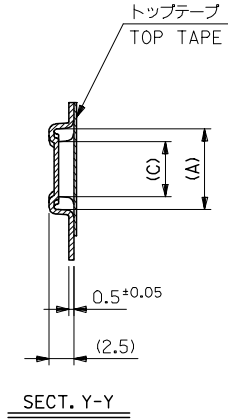
E

D

C

B

A



1.6mm幅キャリアテープ
16mm WIDTH CARRIER TAPE

16	21.4	17.4	6.2	6.9	8.8	54809-2175	21
			5.6	6.3	8.2	54809-1975	19
			4.4	5.1	7.0	54809-1575	15
			3.2	3.9	5.8	54809-1175	11
キャリアテープ幅 CARRIER TAPE WIDTH	E	D	C	B	A	MATERIAL NO.	機能 CKT.

REVISED EC NO: J2006-0662 DRWN: NABE 2005/08/31 CHKDK: TOYODA 2005/09/01 APPR: NUKITA 2005/09/06	GENERAL TOLERANCES (UNLESS SPECIFIED)		DIMENSION STYLE MM ONLY		SCALE ---	DESIGN UNITS METRIC	THIRD ANGLE PROJECTION	
	10 UNDER	± 0.2	DRAWN BY TUENO		DATE '04/02/10		TITLE EMBSTP PKG FOR 0.3 FPC CONN E/O GOLD PLT H=1.3 -LEAD FREE-	
	10 OVER 30 UNDER	± 0.25	CHECKED BY MSASAO		DATE '04/02/10		MOLEX INCORPORATED	
	30 OVER	± 0.3	APPROVED BY MSASAO		DATE '04/02/10		MATERIAL NO. SD-54809-039	
	ANGULAR	± 3 °	DRAFT WHERE APPLICABLE MUST REMAIN WITHIN DIMENSIONS		DOCUMENT NO. SD-54809-039		SHEET NO. 2 OF 4	

9

8

7

6

5

4

3

2

10 9 8 7 6 5 4 3 2 1

F

E

D

C

B

A

F

E

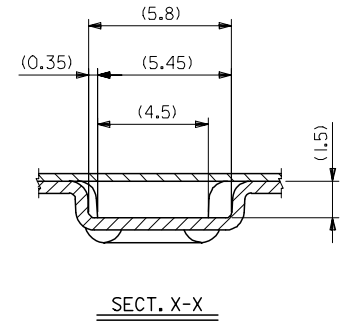
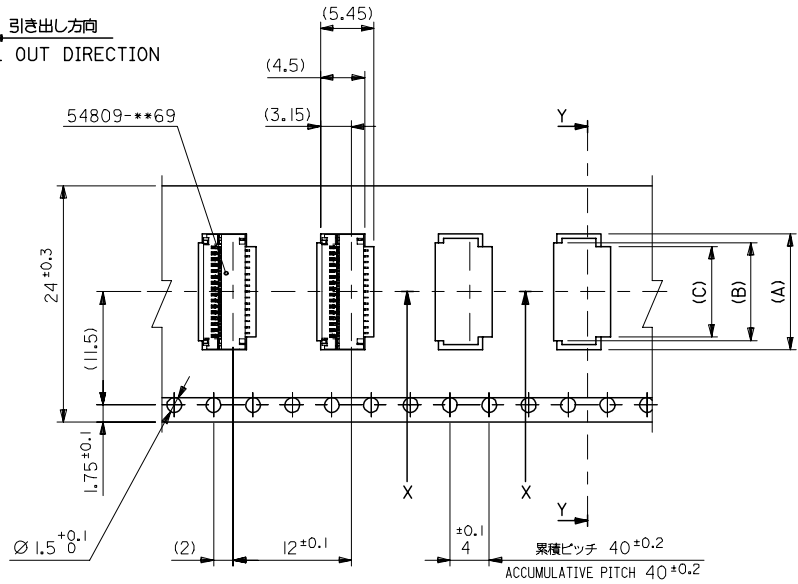
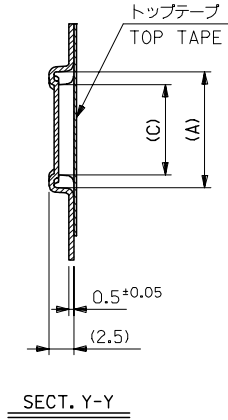
D

C

B

A

引き出し方向
PULL OUT DIRECTION



24mm幅キャリアテープ
24mm WIDTH CARRIER TAPE

24	29.4	25.4	13.4	14.1	16.0	54809-4575	45
			11.6	12.3	14.2	54809-3975	39
			11.0	11.7	13.6	54809-3775	37
			10.4	11.1	13.0	54809-3575	35
			9.8	10.5	12.4	54809-3375	33
			9.2	9.9	11.8	54809-3175	31
			8.0	8.7	10.6	54809-2775	27
7.4	8.1	10.0	54809-2575	25			
キャリアテープ幅 CARRIER TAPE WIDTH	E	D	C	B	A	MATERIAL NO.	MODEL NO. 電機 CKT.

REVISED EC NO: J2006-0662 DRWN: NABEI 2005/08/31 CHKDK: TOYODA 2005/09/01 APPR: NUKITA 2005/09/06	GENERAL TOLERANCES (UNLESS SPECIFIED)		DIMENSION STYLE MM ONLY		SCALE ---	DESIGN UNITS METRIC	MODEL NO.	
	10 UNDER	± 0.2	DRAWN BY TUENO	DATE '04/02/10	TITLE EMBSTP PKG FOR 0.3 FPC CONN E/O GOLD PLT H=1.3 -LEAD FREE-			
	10 OVER 30 UNDER	± 0.25	CHECKED BY MSASAO	DATE '04/02/10	THIRD ANGLE PROJECTION			
	30 OVER	± 0.3	APPROVED BY MSASAO	DATE '04/02/10	MOLEX INCORPORATED			
	ANGULAR	± 3 °	MATERIAL NO.	DOCUMENT NO.	SHEET NO.			
DRAFT WHERE APPLICABLE MUST REMAIN WITHIN DIMENSIONS		SEE CAHRT		SD-54809-039		3 OF 4		
SIZE A3 THIS DRAWING CONTAINS INFORMATION THAT IS PROPRIETARY TO MOLEX INCORPORATED AND SHOULD NOT BE USED WITHOUT WRITTEN PERMISSION								

9

8

7

6

5

4

3

2

10 9 8 7 6 5 4 3 2 1

F

E

D

C

B

A

F

E

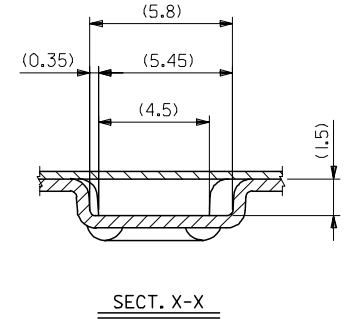
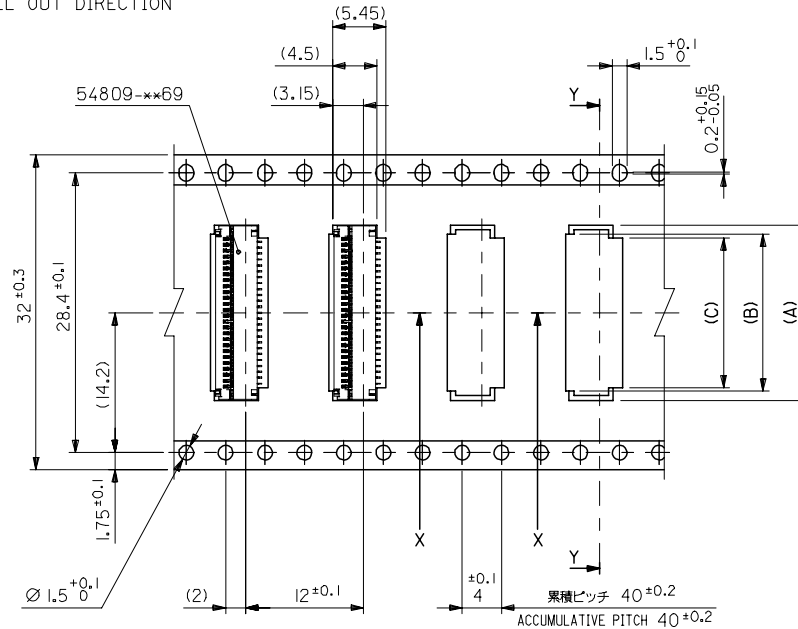
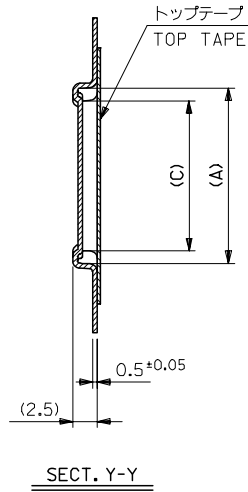
D

C

B

A

引き出し方向
PULL OUT DIRECTION



32mm幅キャリアテープ
32mm WIDTH CARRIER TAPE

32	37.4	33.4	18.2	18.9	20.8	54809-6175	61
キャリアテープ幅 CARRIER TAPE WIDTH	E	D	C	B	A	MATERIAL NO.	極数 CIRCUITS
54809-***75						MODEL NO.	

REVISED EC NO: J2006-0662 DRWN: NABEI CHKD: KTOYODA APPR: NUKITA	GENERAL TOLERANCES (UNLESS SPECIFIED)		DIMENSION STYLE MM ONLY		SCALE ---	DESIGN UNITS METRIC	THIRD ANGLE PROJECTION
	10 UNDER	±0.2	DRAWN BY TUENO	DATE '04/02/10	TITLE EMBSTP PKG FOR 0.3 FPC CONN E/O GOLD PLT H=1.3 -LEAD FREE-		
	10 OVER 30 UNDER	±0.25	CHECKED BY MSASAO	DATE '04/02/10	MOLEX INCORPORATED		
	30 OVER	±0.3	APPROVED BY MSASAO	DATE '04/02/10	MATERIAL NO. SEE CHART	DOCUMENT NO. SD-54809-039	SHEET NO. 4 OF 4
ANGULAR	±3 °	DRAFT WHERE APPLICABLE MUST REMAIN WITHIN DIMENSIONS		THIS DRAWING CONTAINS INFORMATION THAT IS PROPRIETARY TO MOLEX INCORPORATED AND SHOULD NOT BE USED WITHOUT WRITTEN PERMISSION			

9

8

7

6

5

4

3

2