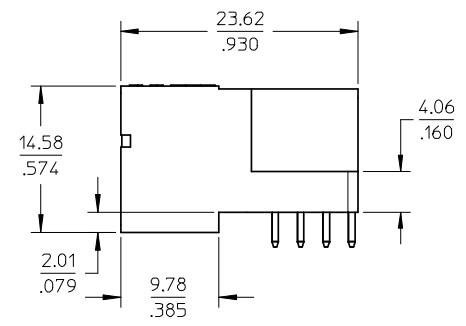


ISOMETRIC VIEW



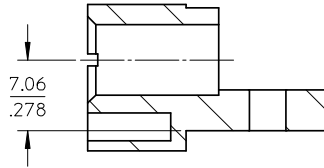
- NOTES:
1. MATERIALS: HOUSING - LCP, GLASS FILLED, UL94V-0, COLOUR: BLACK
POWER PINS - COPPER ALLOY
SIGNAL PINS - COPPER ALLOY
 2. FINISHES: POWER & SIGNAL PINS:
SELECTIVE GOLD IN CONTACT AREA.
THICKNESS= 0.76 MICROMETER/ 30 MICROINCH MINIMUM
SELECTIVE TIN ALLOY IN THE PC TAIL AREA
THICKNESS= 2.54 MICROMETER/100 MICROINCH MINIMUM WITH
1.27µm MINIMUM NICKEL UNDERPLATE OVERALL.
 3. PRODUCT SPECIFICATION: PS-87805-006.
 4. SEE SHEET 2 FOR RECOMMENDED PCB LAYOUT AND THICKNESS.
 - 5 COMPONENT STAY AWAY ZONE FROM CONNECTOR.
 - 6 MANUFACTURER LOGO, PART NUMBER AND YEAR-WEEK CODE.
 - 7 PCB NOTE FOR DIAMETER 1.02/.040 PLATED HOLE.
 - DRILLED HOLE SIZE IS 1.151/.0453.
 - PLATED WITH 0.007/.0003 MINIMUM TIN OVER 0.03/.001 TO 0.08/.003 COPPER PLATING TO ACHIEVE 1.02±0.08/.040±.003 HOLE.
 8. 4P ALPHA- 24 SIGNAL-2P BETA CONFIGURATION IS SHOWN FOR ILLUSTRATION.

PDR#S-001793-00-00 EC NO: S2008-0944 DRWN:SKANG 2008/05/06 CHKD:ATSEE 2008/05/07 APPR:MLONG 2008/05/07	QUALITY SYMBOLS	GENERAL TOLERANCES (UNLESS SPECIFIED)	DIMENSION STYLE		SCALE	DESIGN UNITS	THIRD ANGLE PROJECTION
	▼=0 ▽=0		MM/IN	NTS	METRIC		

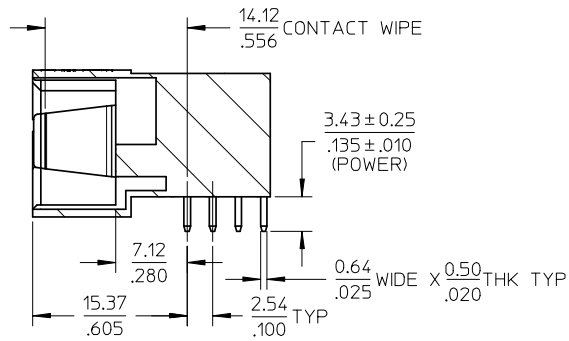
4 PLACES	± ---	± ---
3 PLACES	± ---	± .010
2 PLACES	± 0.25	± ---
1 PLACE	± ---	± ---
ANGULAR ± 3 °		

DRAWN BY	DATE	TITLE
BHLOW	2003/05/27	POWER CONNECTOR HEADER P(A)-S-P(B) CONFIG. R/A, T/H, .200 VERSION
CHECKED BY	DATE	
PTL IM	2003/06/11	
APPROVED BY	DATE	
SKTOH	2003/06/13	
MATERIAL NO.	DOCUMENT NO.	
SEE TABLE	SD-87805-010	

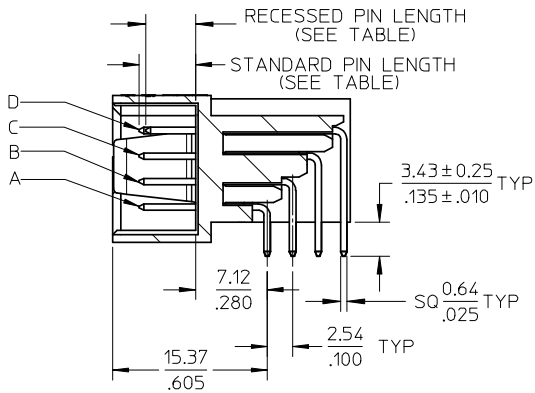
MOLEX INCORPORATED		SHEET NO.
		1 OF 3
THIS DRAWING CONTAINS INFORMATION THAT IS PROPRIETARY TO MOLEX INCORPORATED AND SHOULD NOT BE USED WITHOUT WRITTEN PERMISSION		



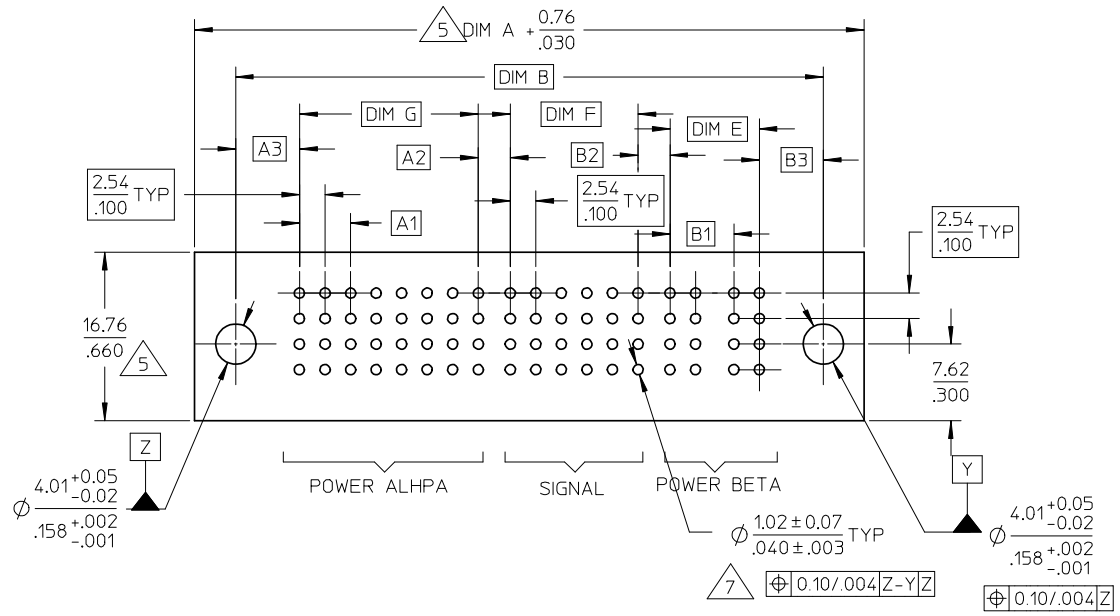
SECTION A-A



SECTION B-B



SECTION C-C



PDR#S-001793-00-00 EC NO: S2008-0944 DRWN:SKANG CHKD:ATSEE APPR:MLONG	2008/05/06 2008/05/07 2008/05/07	QUALITY SYMBOLS ▽=0 □=0	GENERAL TOLERANCES (UNLESS SPECIFIED) mm INCH 4 PLACES ± --- ± --- 3 PLACES ± --- ± .010 2 PLACES ± 0.25 ± --- 1 PLACE ± --- ± --- ANGULAR ± 3 °	DIMENSION STYLE MM/IN DRAWN BY DATE BHLW 2003/05/27 CHECKED BY DATE PTLIM 2003/06/11 APPROVED BY DATE SKTOH 2003/06/13 MATERIAL NO. SEE TABLE	SCALE NTS DESIGN UNITS METRIC THIRD ANGLE PROJECTION	TITLE POWER CONNECTOR HEADER P(A)-S-P(B) CONFIG. R/A, T/H, .200 VERSION MOLEX INCORPORATED DOCUMENT NO. SD-87805-010	SHEET NO. 2 OF 3
	D2	DESCRIPTION DRAFT WHERE APPLICABLE MUST REMAIN WITHIN DIMENSIONS	SIZE A3	THIS DRAWING CONTAINS INFORMATION THAT IS PROPRIETARY TO MOLEX INCORPORATED AND SHOULD NOT BE USED WITHOUT WRITTEN PERMISSION			

PART NUMBER	P-S-P CONFIGURATION			DIM A	DIM B	DIM C	DIM D	DIM E	DIM F	DIM G	STANDARD SIGNAL PIN LENGTH	RECESSED SIGNAL PIN		POWER ALPHA				POWER BETA				PACKAGING
	POWER ALPHA	SIGNAL	POWER BETA									LENGTH	LOCATION	A1	A2	A3	A4	B1	B2	B3	B4	
87805-4001	4	24	2	66.04 2.600	58.42 2.300	57.15 2.250	43.18 1.700	8.89 .350	12.70 .500	17.78 .700	6.86/.270	5.59/.220	A6, B3	5.08	3.18	6.35	6.98	6.35	3.18	6.35	6.98	TRAY
87805-4002	4	28	4	77.47 3.050	69.85 2.750	68.58 2.700	54.61 2.150	17.78 .700	15.24 .600	17.78 .700	6.86/.270	5.59/.220	B4	5.08	3.18	6.35	6.98	5.08	3.18	6.35	6.98	TRAY
87805-4007	3	20	3	62.33 2.450	54.61 2.150	53.34 2.100	39.37 1.550	12.70 .500	10.16 .400	12.70 .500	6.86/.270	NIL	NIL	5.08	3.18	6.35	6.98	5.08	3.18	6.35	6.98	TRAY
87805-4008	2	24	2	54.61 2.150	47.00 1.850	45.72 18.00	31.76 1.250	7.62 .300	12.70 .500	7.62 .300	6.86/.270	5.59/.220	A1,A2,B1, B2,D1,D2	5.08	3.18	6.35	6.98	5.08	3.18	6.35	6.98	TRAY
87805-4009	2	16	2	49.53 1.950	41.91 1.650	40.64 1.600	26.68 1.050	7.62 .300	7.62 .300	7.62 .300	6.86/.270	5.59/.220	B3	5.08	3.18	6.35	6.98	5.08	3.18	6.35	6.98	TRAY
87805-4010	4	24	4	74.93 2.950	67.31 2.650	66.04 2.600	52.08 2.050	17.78 .700	12.70 .500	17.78 .700	6.86/.270	5.59/.220	A1,C1,C2, D1,D2,D6	5.08	3.18	6.35	6.98	5.08	3.18	6.35	6.98	TRAY
87805-4012	3	20	10	104.14 4.100	96.52 3.800	95.25 3.750	80.65 3.175	48.26 1.900	10.16 .400	17.78 .700	6.86/.270	5.59/.220	A1	7.62	3.81	6.98	7.62	5.08	3.18	6.35	6.98	TRAY
87805-4014	4	12	4	67.31 2.650	59.69 2.350	58.42 2.300	44.46 1.750	17.78 .700	5.08 .200	17.78 .700	6.86/.270	5.59/.220	C2	5.08	3.18	6.35	6.98	5.08	3.18	6.35	6.98	TRAY



PDR#S-001793-00-00 EC NO: S2008-0944 DRWN:SKANG CHKD:ATSEE APPR:MLONG	2008/05/06 2008/05/07 2008/05/07	DESCRIPTION REV	QUALITY SYMBOLS	GENERAL TOLERANCES (UNLESS SPECIFIED)	DIMENSION STYLE	SCALE	DESIGN UNITS	THIRD ANGLE PROJECTION															
			$\nabla = 0$ $\square = 0$	<table border="1"> <tr> <th></th> <th>mm</th> <th>INCH</th> </tr> <tr> <td>4 PLACES</td> <td>\pm ---</td> <td>\pm ---</td> </tr> <tr> <td>3 PLACES</td> <td>\pm ---</td> <td>\pm .010</td> </tr> <tr> <td>2 PLACES</td> <td>\pm 0.25</td> <td>\pm ---</td> </tr> <tr> <td>1 PLACE</td> <td>\pm ---</td> <td>\pm ---</td> </tr> </table>		mm	INCH	4 PLACES	\pm ---	\pm ---	3 PLACES	\pm ---	\pm .010	2 PLACES	\pm 0.25	\pm ---	1 PLACE	\pm ---	\pm ---	MM/IN	NTS	METRIC	
				mm	INCH																		
			4 PLACES	\pm ---	\pm ---																		
3 PLACES	\pm ---	\pm .010																					
2 PLACES	\pm 0.25	\pm ---																					
1 PLACE	\pm ---	\pm ---																					
	<table border="1"> <tr> <th>DRAWN BY</th> <th>DATE</th> <th>TITLE</th> </tr> <tr> <td>BHLOW</td> <td>2003/05/27</td> <td rowspan="3">POWER CONNECTOR HEADER P(A)-S-P(B) CONFIG. R/A, T/H, .200 VERSION</td> </tr> <tr> <th>CHECKED BY</th> <th>DATE</th> </tr> <tr> <td>PTL IM</td> <td>2003/06/11</td> </tr> </table>	DRAWN BY	DATE	TITLE	BHLOW	2003/05/27	POWER CONNECTOR HEADER P(A)-S-P(B) CONFIG. R/A, T/H, .200 VERSION	CHECKED BY	DATE	PTL IM	2003/06/11	<table border="1"> <tr> <th>APPROVED BY</th> <th>DATE</th> </tr> <tr> <td>SKTOH</td> <td>2003/06/13</td> </tr> </table>	APPROVED BY	DATE	SKTOH	2003/06/13	MOLEX INCORPORATED						
DRAWN BY	DATE	TITLE																					
BHLOW	2003/05/27	POWER CONNECTOR HEADER P(A)-S-P(B) CONFIG. R/A, T/H, .200 VERSION																					
CHECKED BY	DATE																						
PTL IM	2003/06/11																						
APPROVED BY	DATE																						
SKTOH	2003/06/13																						
	DRAFT WHERE APPLICABLE MUST REMAIN WITHIN DIMENSIONS	SEE TABLE	MATERIAL NO. SKTOH DOCUMENT NO. SD-87805-010	SHEET NO. 3 OF 3																			