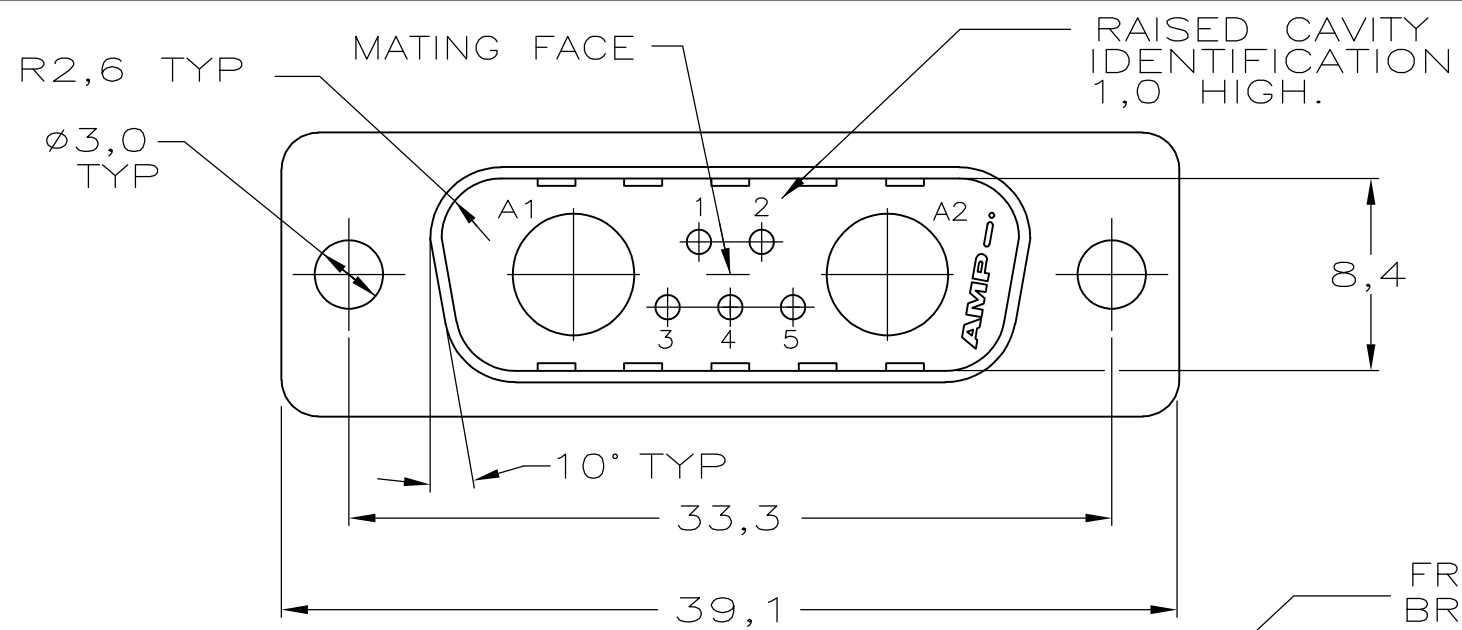


THIS DRAWING IS UNPUBLISHED. RELEASED FOR PUBLICATION  
 © COPYRIGHT - By - ALL RIGHTS RESERVED.

LOC	DIST	REVISIONS					
GP	00	P	LTR	DESCRIPTION	DATE	DWN	APVD
		D		REVISED PER ECO-16-000387	04FEB2016	AP	DG

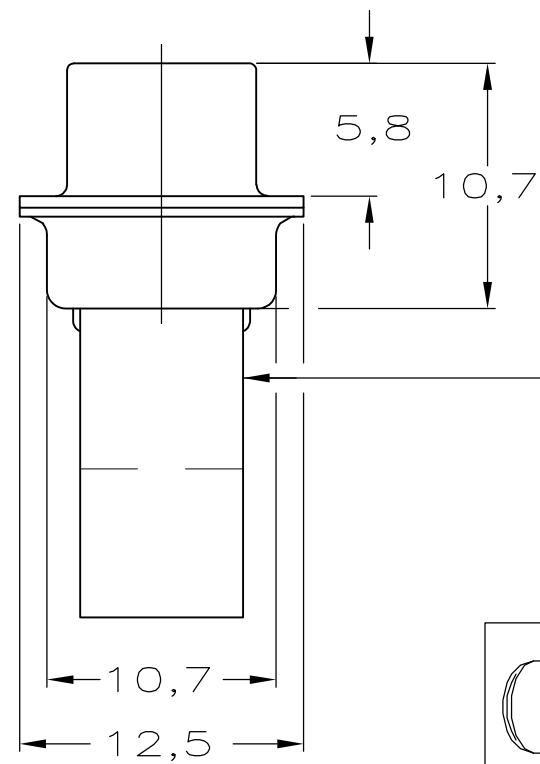
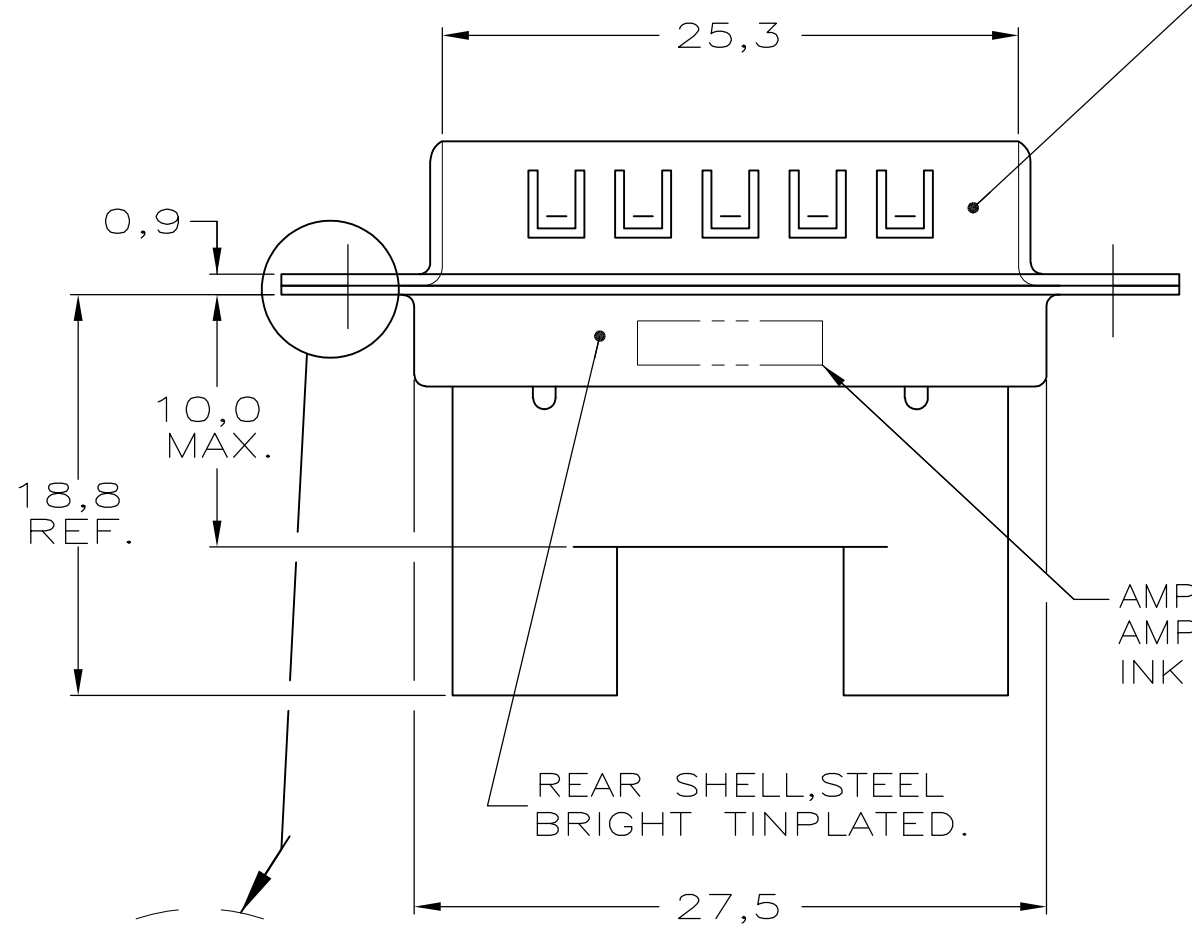


- THIS PLUG ACCEPTS SIZE 20 SIGNAL PIN-CONTACTS AND SIZE 8 POWER/COAX PIN-CONTACTS.
- FOLLOWING INSERTION/REMOVAL TOOLS ARE RECOMMENDED FOR USE WITH THESE CONNECTORS,  
 SIGNAL CONTACTS:  

32-28AWG/28-24AWG CONT's	24-20AWG CONTACTS
91067-3 INSERTION/REMOVAL	91067-2 INSERTION/REMOVAL
726363-1 INSERTION ONLY	726363-1 INSERTION ONLY
	726364-1 REMOVAL ONLY

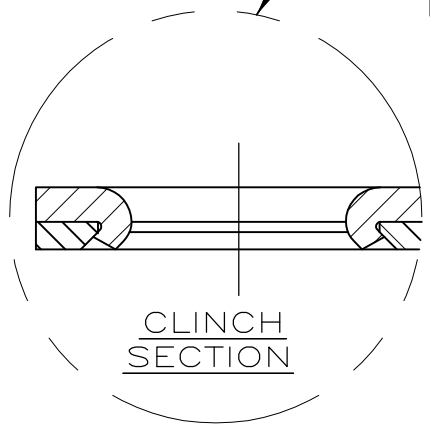
 POWER/COAX CONTACTS : 58095-1 REMOVAL ONLY

FRONT SHELL STEEL,  
 BRIGHT TINPLATED WITH  
 2x5 GROUNDING FINGERS ON 3,8 PITCH;



INSERTS NYLON  
 GLASS-FILLED  
 SELF-EXTINGUISHING  
 COLOR: BLACK

**OBSOLETE**



THIS DRAWING IS A CONTROLLED DOCUMENT.		DWN	11SEP1989	TE Connectivity HDP-20 PLUG CONNECTOR, 7C2 , MIXED ,HIGH PROFILE			
DIMENSIONS: mm		L. v. d. HEYDEN	11SEP1989				
TOLERANCES UNLESS OTHERWISE SPECIFIED:		CHK	C. v. TILBURG				
0 PLC ± -		APVD	L. v. SOEST				
1 PLC ± -		PRODUCT SPEC		NAME	-		
2 PLC ± -		APPLICATION SPEC		SIZE	CAGE CODE	DRAWING NO	RESTRICTED TO
3 PLC ± -		MATERIAL		WEIGHT	-		-
4 PLC ± -		FINISH		A3 00779 C-216595			-
ANGLES ± -		CUSTOMER DRAWING		SCALE	NTS	SHEET	1 OF 1
MATERIAL -		-		REV			D