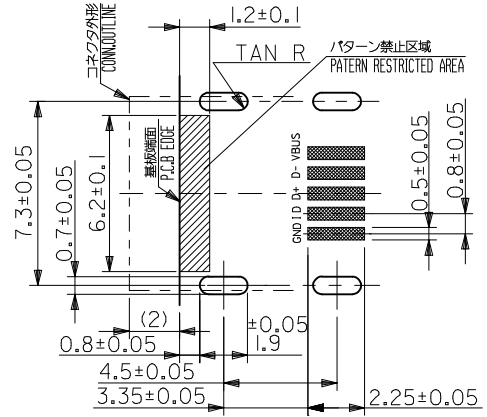
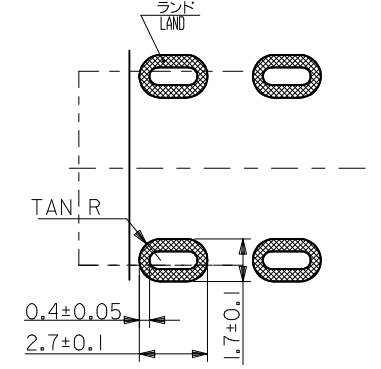


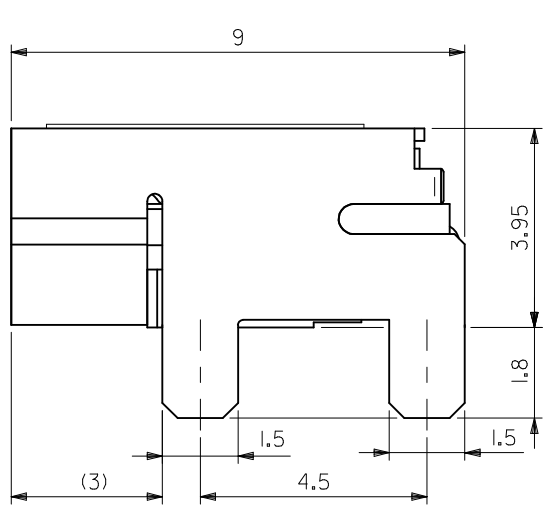
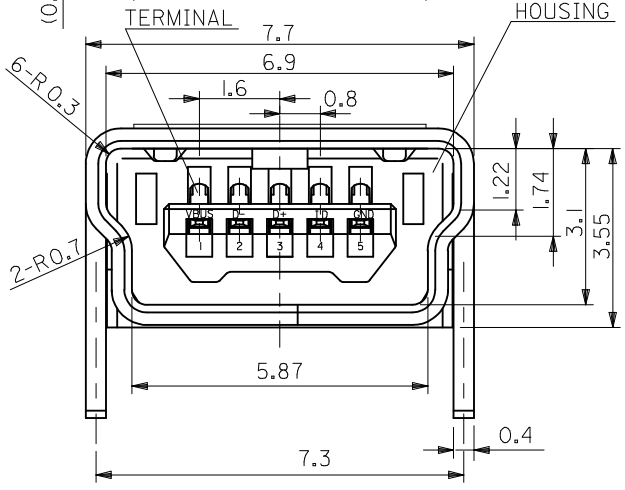
コネクタ実装側 (CONNECTOR MOUNT SIDE)



逆側 (REVERSE SIDE)



推奨基板寸法  
RECOMMENDED P.C.B. PATTERN LAYOUT



注記 1. 材質  
NOTES MATERIAL

- ハウジング: ポリアミド, ガラス充填, 黒色, UL94V-0
- HOUSING: PA, GLASS FILLED, BLACK, UL94V-0
- ターミナル: 銅合金 (t=0.2)
- TERMINAL: COPPER ALLOY (t=0.2)
- シールド ケース: 銅合金 (t=0.4)
- SHIELD CASE: COPPER ALLOY (t=0.4)
- カバー テープ: ポリイミド (t=0.08)
- COVER TAPE: POLYIMIDE (t=0.08)

2. メッキ仕様  
PLATING

- ターミナル
- TERMINAL
- 接点部: 金メッキ 0.75 MICROMETER MIN.
- CONTACT AREA: GOLD 0.75 MICROMETER MIN.
- 半田付け部: 錫メッキ 1.0 MICROMETER MIN.
- SOLDER TAIL AREA: TIN 1.0 MICROMETER MIN.
- 下地部: ニッケルメッキ 1.25 MICROMETER MIN.
- UNDER PLATING: NICKEL 1.25 MICROMETER MIN.
- シールド ケース
- SHIELD CASE
- : 錫メッキ 1.0 MICROMETER MIN.
- : TIN 1.0 MICROMETER MIN.
- 下地部: ニッケルメッキ 1 MICROMETER MIN.
- UNDER PLATING: NICKEL 1 MICROMETER MIN.

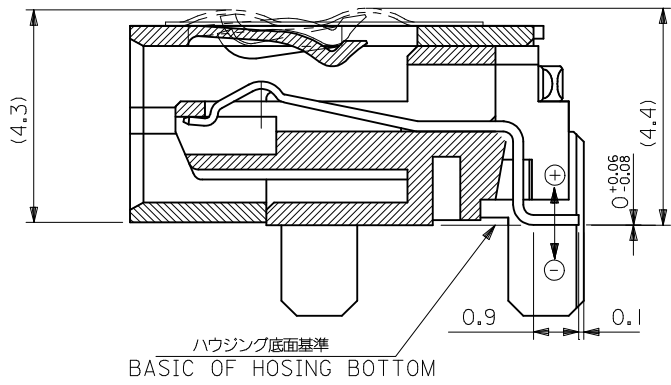
3. テールの平坦度は 0.1mm MAX.  
TAIL COPLANARITY 0.1mm MAX.

4. 本製品は 54819-0581 の鉛フリー品である。

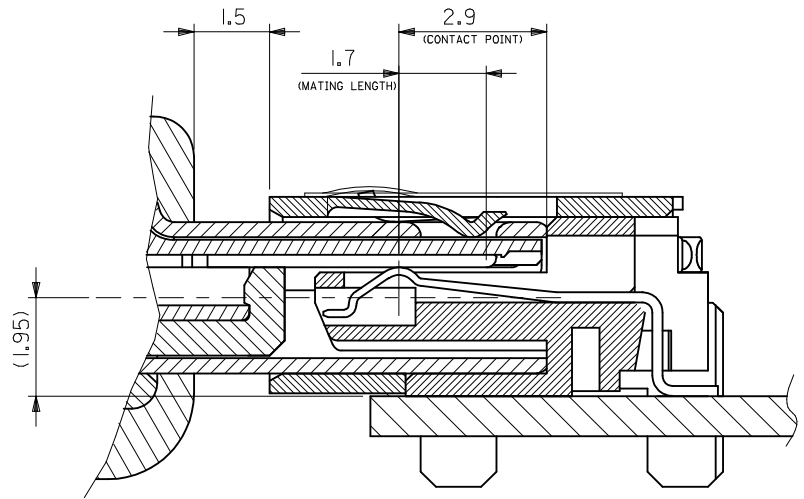
THIS PRODUCT IS LEAD FREE OF 54819-0581.

54819-0589	54819-0582
EMBOSSED TAPE	MATERIAL No.
ORDER No.	
MODEL No.54819-***82	

REVISED EC NO: J2009-1533 DRW: NESATO 2009/06/25 CHKD: MATSUMOTO 2009/06/25 APPR: NUKITA 2009/06/25	DESCRIPTION REV	GENERAL TOLERANCES (UNLESS SPECIFIED)		DIMENSION STYLE MM ONLY		SCALE 10:1		DESIGN UNITS METRIC		THIRD ANGLE PROJECTION		
		10 UNDER	±0.2	DRAWN BY M. NABE I	DATE '04/10/21	TITLE USB SERIES MINI-B (DIP2) RECEPTACLE ASS'Y -LEAD FREE-						
		10 OVER 30 UNDER	±0.25	CHECKED BY K. TOJO	DATE '04/10/21	MOLEX INCORPORATED						
		30 OVER	±0.3	APPROVED BY N. UKITA	DATE '04/10/21	MATERIAL NO. SEE TABLE		DOCUMENT NO. SD-54819-030		SHEET NO. 1 OF 2		
ANGULAR ±3 °		DRAFT WHERE APPLICABLE MUST REMAIN WITHIN DIMENSIONS		THIS DRAWING CONTAINS INFORMATION THAT IS PROPRIETARY TO MOLEX INCORPORATED AND SHOULD NOT BE USED WITHOUT WRITTEN PERMISSION								



SECTION

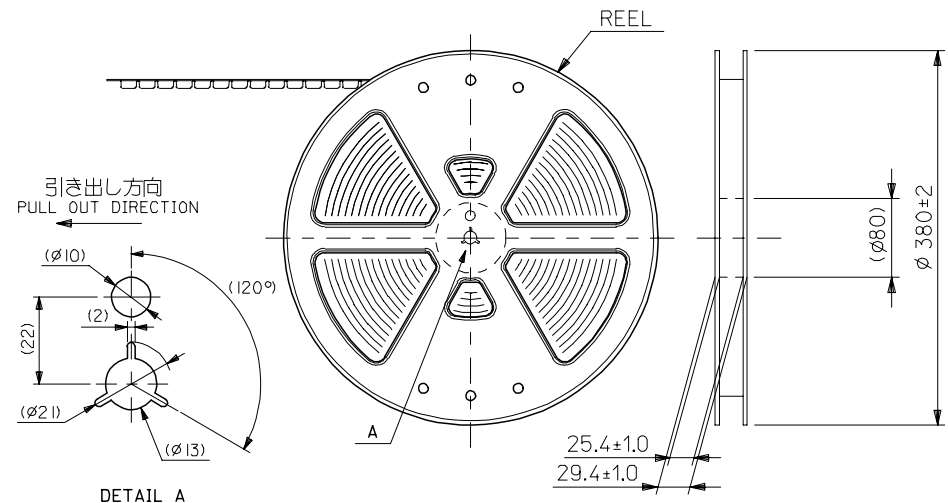


MATING

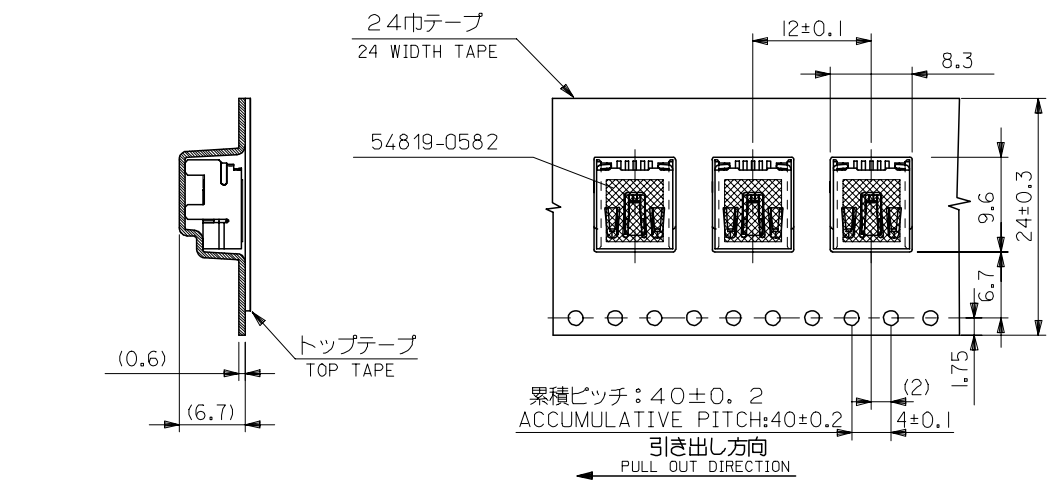
MODEL No.54819-\*\*\*82

REVISED EC NO: J2009-1533 DRW:ESATO 2009/06/25 CHKD:MATSUMOTO 2009/06/25 APPR:NUKITA 2009/06/25	GENERAL TOLERANCES (UNLESS SPECIFIED)		DIMENSION STYLE MM ONLY	SCALE 10:1	DESIGN UNITS METRIC	THIRD ANGLE PROJECTION	
	10 UNDER	±0.2	DRAWN BY M. NABEI	DATE '04/10/21	TITLE USB SERIES MINI-B (DIP2) RECEPTACLE ASS'Y -LEAD FREE-		
	10 OVER 30 UNDER	±0.25	CHECKED BY K. TOJO	DATE '04/10/21			
	30 OVER	±0.3	APPROVED BY N. UKITA	DATE '04/10/21	molex MOLEX INCORPORATED		
ANGULAR ±3 °		MATERIAL NO. SEE SHEET1	DOCUMENT NO. SD-54819-030	SHEET NO. 2 OF 2			
A	DRAFT WHERE APPLICABLE MUST REMAIN WITHIN DIMENSIONS		THIS DRAWING CONTAINS INFORMATION THAT IS PROPRIETARY TO MOLEX INCORPORATED AND SHOULD NOT BE USED WITHOUT WRITTEN PERMISSION				

10 9 8 7 6 5 4 3 2 1



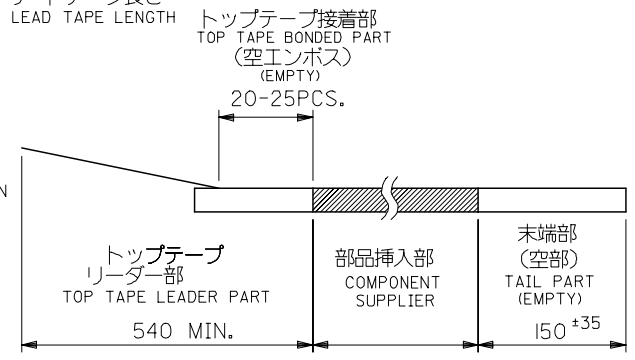
DETAIL A



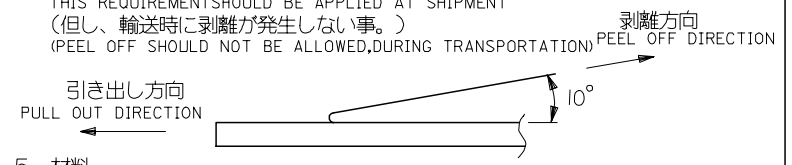
累積ピッチ: 40±0.2  
ACCUMULATIVE PITCH: 40±0.2  
エンボステープ内の製品の向き  
DIRECTION OF CONNECTOR IN EMBOSSED TAPE

NOTES

- 54819-0582 の詳細は SD-54819-030 参照  
IN THE PACKAGE PART NO.54819-0582 DETAILED, SEE SD-54819-030.
- 梱包数量: 900 個/リール  
NUMBER OF CONNECTORS: 900 PCS/REEL
- リードテープ長さ  
LEAD TAPE LENGTH



- トップテープの剥離強度: 0.1-1.3N (10-130gf)  
(剥離方向は下図参照) キャリアテープ幅: 24mm  
CARRIER TAPE WIDTH  
PEEL-OFF FORCE OF TOP TAPE: 0.1-1.3N (10-130gf)  
(PEELING DIRECTION AS SHOWN IN FOLLOWING FIG.)  
尚、本規格値は、出荷時に適用。  
THIS REQUIREMENT SHOULD BE APPLIED AT SHIPMENT  
(但し、輸送時に剥離が発生しない事。)  
(PEEL OFF SHOULD NOT BE ALLOWED, DURING TRANSPORTATION)



- 材料  
MATERIAL  
キャリアテープ: ポリプロピレン  
CARRIER TAPE: POLYPROPYLENE  
トップテープ: ポリエステル, ポリエチレン  
TOP TAPE: POLYESTER, POLYETHYLENE  
リール: ポリスチレン  
REEL: POLYSTYRENE
- 本製品は 54819-0588 の鉛フリー品である。  
THIS PRODUCT IS LEAD FREE OF 54819-0588.

RELEASED EC NO: J2005-1196 DRAWN: MNABE1 CHKD: KTOJO APPR: NUKITA 2004/10/26 2004/10/26 2004/10/28	GENERAL TOLERANCES (UNLESS SPECIFIED)		DIMENSION STYLE MM ONLY		SCALE 2:1	DESIGN UNITS METRIC	THIRD ANGLE PROJECTION
	10 UNDER	±0.2	DRAWN BY MNABE1	DATE '04/10/21	TITLE USB SERIES MINI-B (DIP2) REC. HS'G EMBOSSED ASS'Y -LEAD FREE-		
	10 OVER 30 UNDER	±0.25	CHECKED BY KTOJO	DATE '04/10/21			
	30 OVER	±0.3	APPROVED BY NUKITA	DATE '04/10/21	MOLEX INCORPORATED		
	ANGULAR	±3 °	MATERIAL NO. 54819-0589	DOCUMENT NO. SD-54819-031			
0	DRAFT WHERE APPLICABLE MUST REMAIN WITHIN DIMENSIONS		SIZE A3		THIS DRAWING CONTAINS INFORMATION THAT IS PROPRIETARY TO MOLEX INCORPORATED AND SHOULD NOT BE USED WITHOUT WRITTEN PERMISSION		