

PLEASE CHECK WWW.MOLEX.COM FOR LATEST PART INFORMATION

Part Number: [62202-9736](#)
Status: **Active**
Description: 10 Gigabit Ethernet 2 by 8 Magnetic Jack Tooling

Documents:

[RoHS Certificate of Compliance \(PDF\)](#)

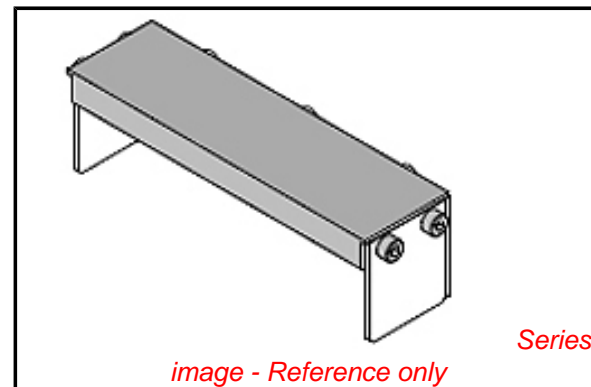
General

Product Family	Application Tooling
Series	T3002
Comments	See Tooling Specification (PDF) Above
Function	Insertion
Geographic Area	Global
Level of Automation	Manual
More Detailed Tech Information	applicationtooling@molex.com
Product Name	N/A
Survey	www.molex.com//review/apptool_survey.html
Tool Type	Handtool
UPC	884982688094

Material Info

Reference - Drawing Numbers

Application Tooling Documents	ATS-622029736
-------------------------------	---------------



EU RoHS

China RoHS

Compliance Status

Not Reviewed

REACH SVHC

Not Reviewed

Low-Halogen Status

Not Reviewed

Need more information on product environmental compliance?

Email productcompliance@molex.com
For a multiple part number RoHS Certificate of Compliance, [click here](#)

Please visit the [Contact Us](#) section for any non-product compliance questions.

Search Parts in this Series

[T3002Series](#)

Use With

[170722](#) 10GBE 2 by 8 Magnetic Jack Assemblies with Press-fit Tails