

4

3

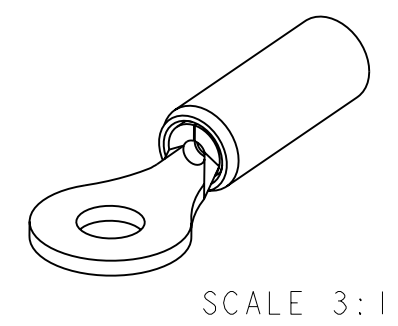
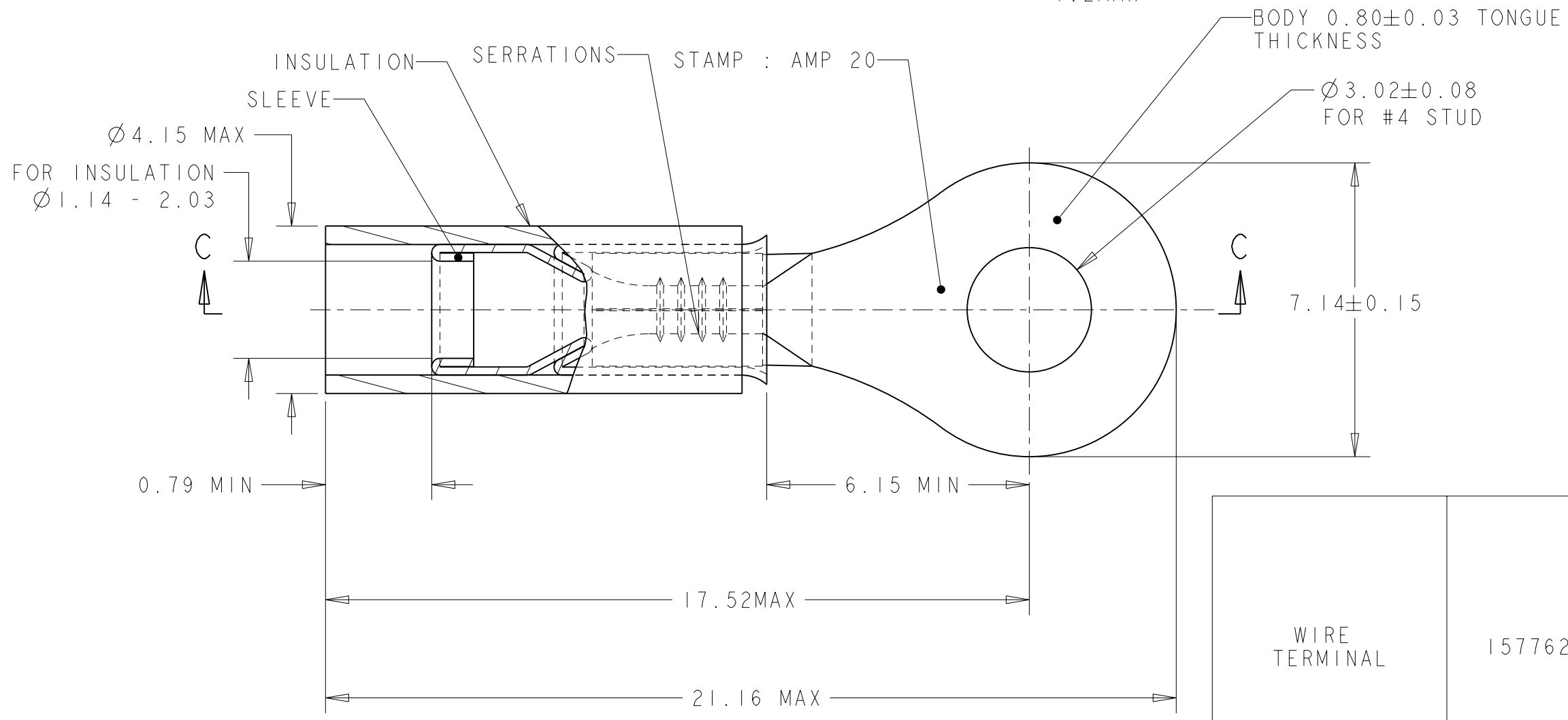
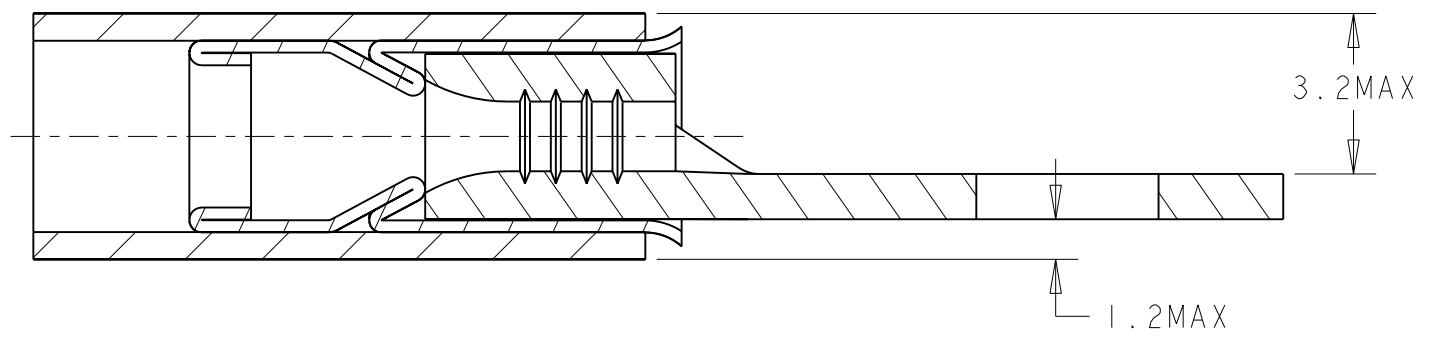
2

1

THIS DRAWING IS UNPUBLISHED. RELEASED FOR PUBLICATION 20
 © COPYRIGHT 20 BY TYCO ELECTRONICS CORPORATION. ALL RIGHTS RESERVED.

LOC	DIST	REVISIONS			
P	LTR	DESCRIPTION	DATE	DWN	APVD
F	00	B	ECR 07-025006	24OCT2007	JT GR

COUPE C-C



WIRE TERMINAL	1577622-1	BODY : COPPER ANNEALED FINISH : NICKEL PLATED
		SLEEVE : COPPER ANNEALED FINISH : NICKEL PLATED
		INSULATION : PEEK COLOR : GREY
DESCRIPTION	PART NUMBER	MATERIAL & FINISH

<small>THIS DRAWING IS A CONTROLLED DOCUMENT FOR TYCO ELECTRONICS CORPORATION IT IS SUBJECT TO CHANGE AND THE CONTROLLING ENGINEERING ORGANIZATION SHOULD BE CONTACTED FOR THE LATEST REVISION.</small>		DWN	02NOV2005		TYCO ELECTRONICS France SAS	
DIMENSIONS: mm		CHK	02NOV2005		BP 30039, 95301 CERGY-PONTOISE Cedex	
		APVD	02NOV2005		NAME	
TOLERANCES UNLESS OTHERWISE SPECIFIED:		PRODUCT SPEC	108-15356		TERMINAL, PEEK PIDG STRATO, 20 AWG	
0 PLC ±-		APPLICATION SPEC	114-15102	SIZE	CAGE CODE	DRAWING NO
1 PLC ±0.3		WEIGHT	0,74 gr	A3	00779	©=1577622
2 PLC ±-		CUSTOMER DRAWING		SCALE	SHEET	OF
3 PLC ±-				8:1	1	1
4 PLC ±-				REV	B	
ANGLES ±5						
FINISH						
MATERIAL SEE TABLE						
SEE TABLE						