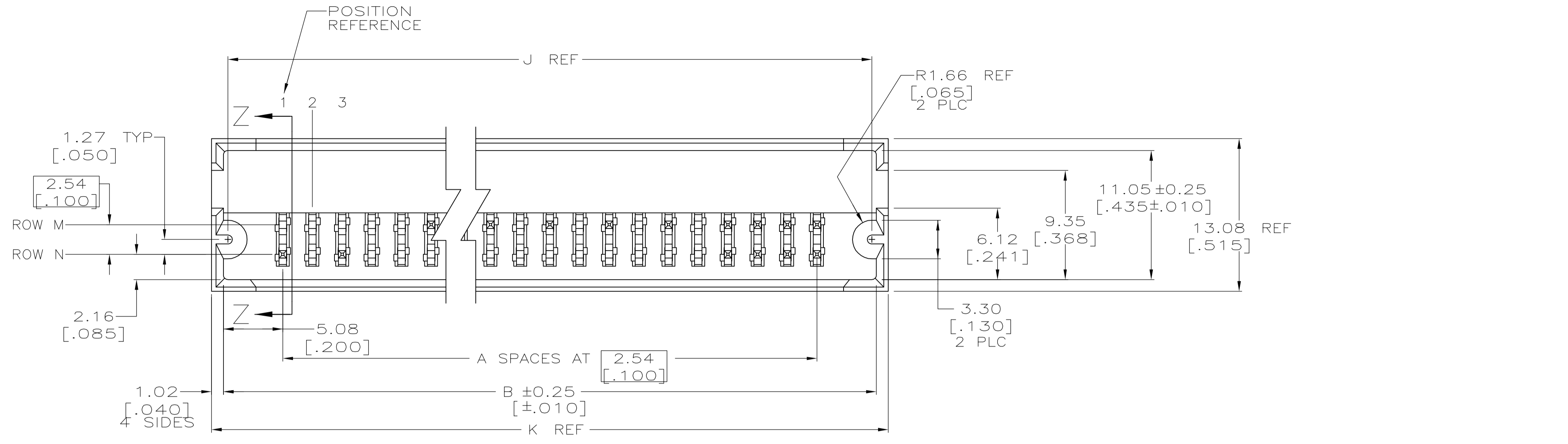
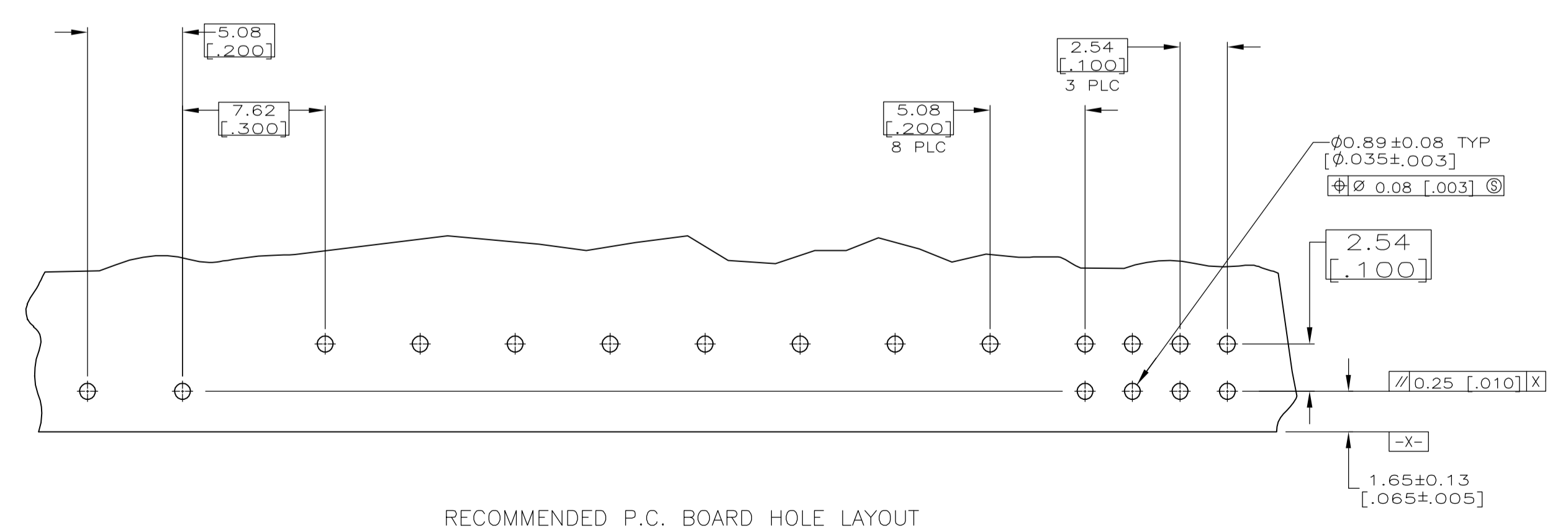
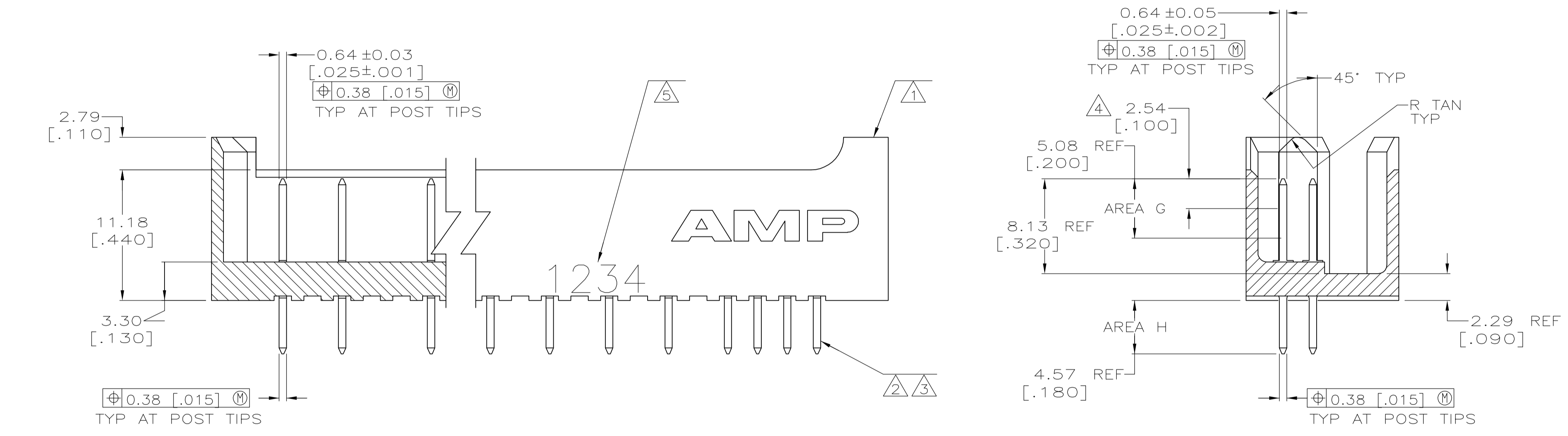


LOC		DIST		REVISIONS			
P	LTR	DESCRIPTION	DATE	DWN	APVD		
A1		ECO-05-16253	30JAN06	MB	JO		



- △ HOUSING: GLASS-FILLED NYLON.
- △ POST: COPPER ALLOY.
- △ POST FINISH: 0.00076 [.000030] GOLD IN AREA G, 0.00254-0.00508 [.000100-.000200] BRIGHT TIN-LEAD IN AREA H, ALL OVER 0.00127 [.000050] NICKEL.
- △ POINT OF MEASUREMENT FOR PLATING THICKNESS.
- △ RECESSED DATE CODE.
- 6. CSA LOGO HOT STAMPED WHITE ON HOUSING.
- △ POST FINISH: 0.00076 [.000030] GOLD IN AREA G, 0.00254-0.00508 [.000100-.000200] MATTE TIN IN AREA H, ALL OVER 0.00127 [.000050] NICKEL.
- △ ROHS 2002/95/EC COMPLIANT.



FINISH	ROW M	ROW N	K	J	B	A	NO OF POSN	PART NUMBER
7	1-5,7,9,11,13 15,17,19,21	2,4-21	73.15 [2.880]	70.36 [2.770]	71.12 [2.800]	24	18/50	5-147343-1
3	1-5,7,9,11,13 15,17,19,21	2,4-21	73.15 [2.880]	70.36 [2.770]	71.12 [2.800]	24	18/50	147343-1
POST OMITTED								
THIS DRAWING IS A CONTROLLED DOCUMENT.								
DIMENSIONS: mm [INCHES]		TOLERANCES UNLESS OTHERWISE SPECIFIED:		DWN S. HAYMAKER 05NOV99		Tyco Electronics Corporation Harrisburg, PA 17105-3608		
0 PLC ± - 1 PLC ± - 2 PLC ± - 3 PLC ± 0.13[.005] 4 PLC ± ± - ANGLES ± -		APVD J. GESFORD 05NOV99 PRODUCT SPEC APPLICATION SPEC		NAME		HEADER ASSY, MOD II, DOUBLE ROW, 2.54 X 2.54 [.100 X .100] CL, 0.64 [.025] SQUARE POST, SELECT LOAD		
MATERIAL		FINISH		WEIGHT		SIZE		RESTRICTED TO
SEE TABLE		SEE TABLE		-		A1 00779		147343
CUSTOMER DRAWING				SCALE 4:1		SHEET 1 OF 1		REV A1