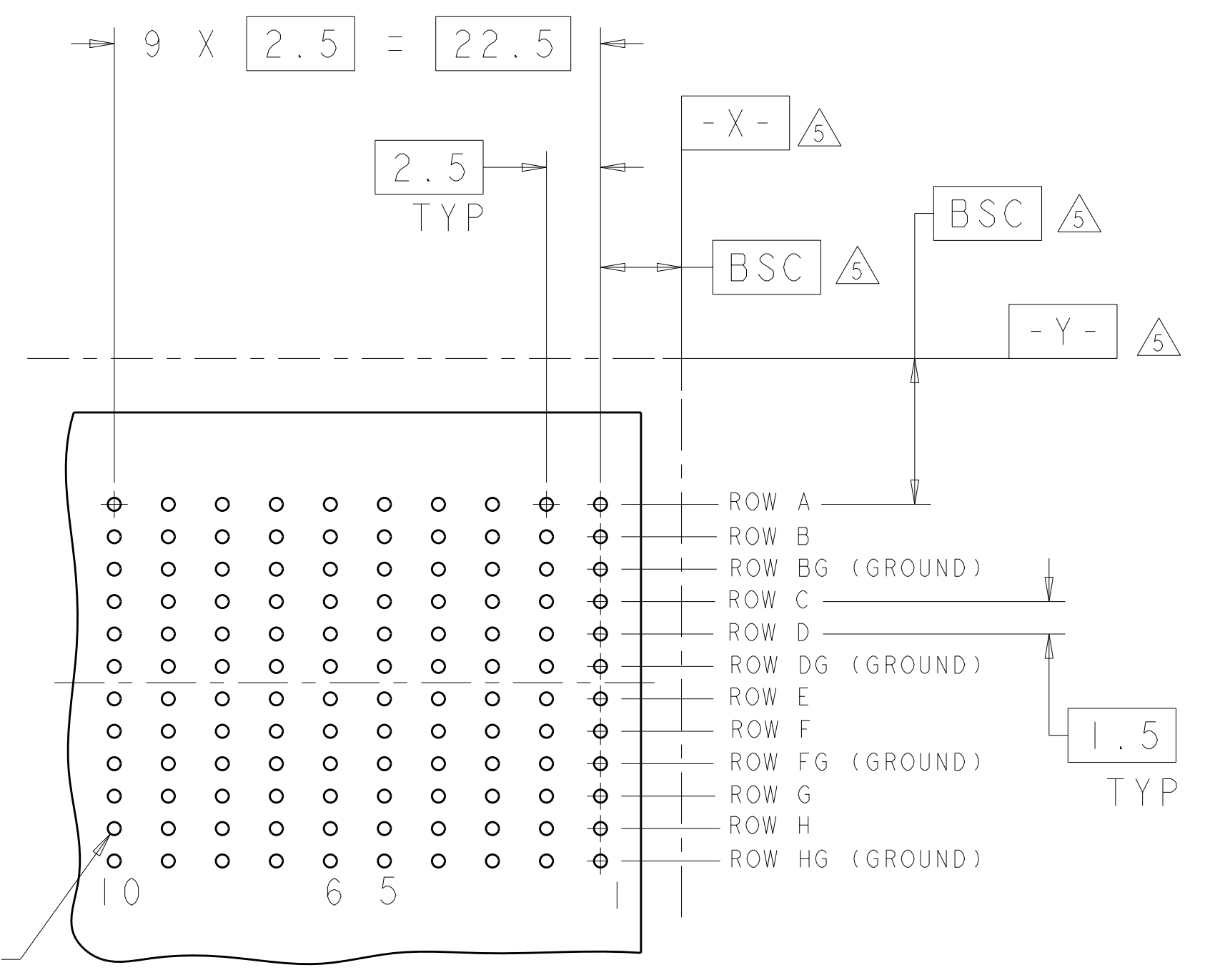
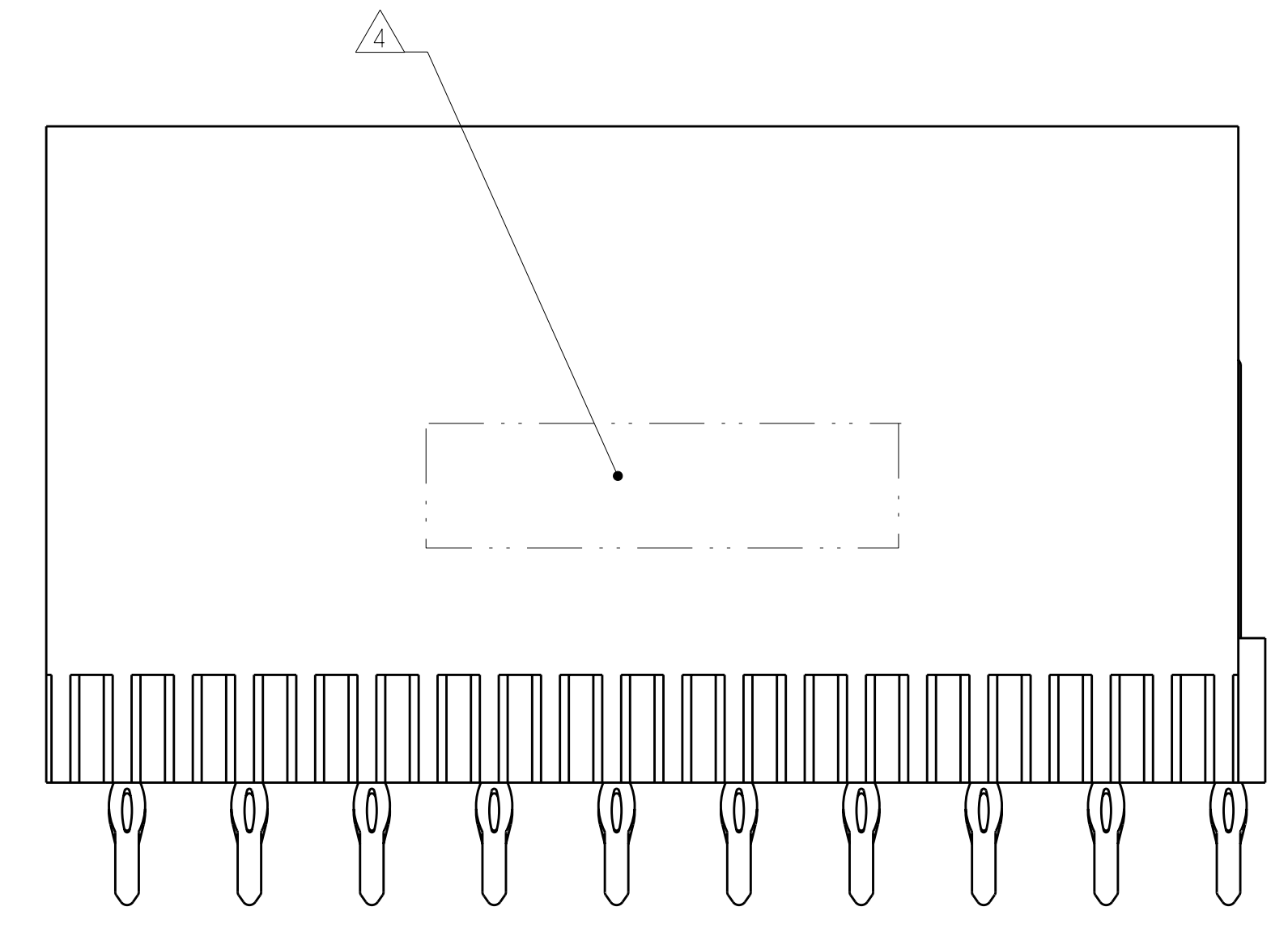
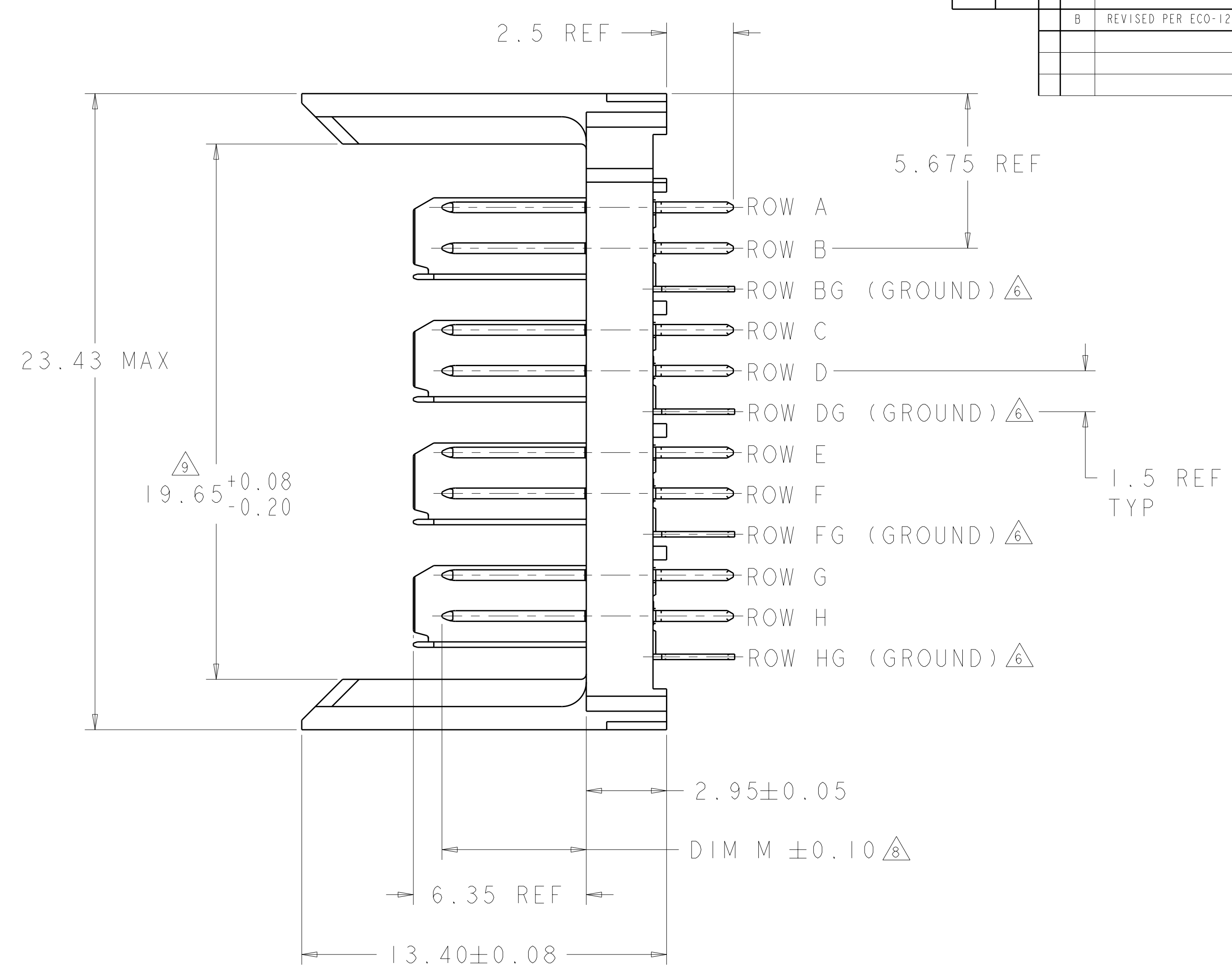
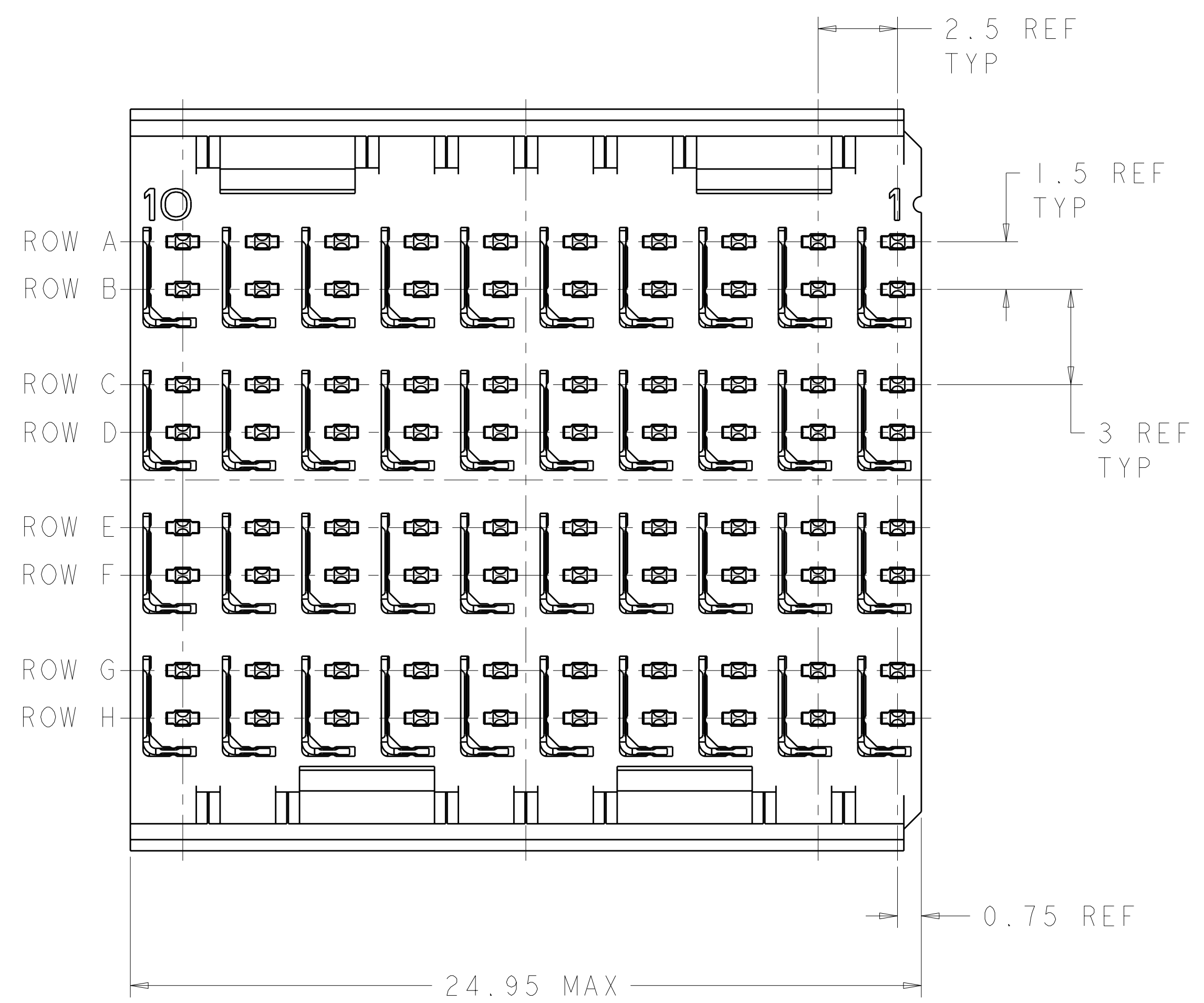


LOC		DIST		REVISIONS			
AD	00	P	LT#	DESCRIPTION	DATE	DWN	APVD
		B		REVISED PER ECO-12-000118	18JAN2012	KH	DD



- △ REFERENCE APPLICATION SPEC 114-13059 FOR RECOMMENDED PLATED THRU HOLE DIAMETER AND PLATING THICKNESSES.
- △ MATERIAL:
CONTACT AND SHIELD - PHOSPHOR BRONZE
HOUSING - GLASS FILLED POLYESTER, UL 94V-0.
- △ FINISH: SIGNAL AND GROUND CONTACTS:
MATING AREA: MEETS THE PERFORMANCE REQUIREMENTS OF PRODUCT SPECIFICATION 108-2055; BASED ON TELCORDIA GR-1217-CORE, APPLICATIONS IN UNCONTROLLED ENVIRONMENTS
COMPLIANT PIN AREA: 0.5 μm MIN MATTE TIN OVER BASE PLATING
- △ CONNECTOR MARKED WITH PART NUMBER AND DATE CODE.
- △ DATUMS AND BASIC DIMENSIONS ESTABLISHED BY CUSTOMER.
- △ THE FOUR GROUNDS IN EACH COLUMN ARE COMMONED.
- 7. CONTACT AREA LUBRICATED WITH BELLCORE APPROVED LUBRICANT. TECHNICAL REFERENCE: GR-1217-CORE, ISSUE 1, NOVEMBER 1995.
- △ REFER TO "CONTACT LAYOUT" CHART FOR SEQUENCING.
- △ DIMENSION APPLIES TO FIRST AND LAST CIRCUITS.

CONTACT LAYOUT

A = 3.80mm (DIM M)
 B = 5.30mm (DIM M)
 G = GROUND

		COLUMNS									
		10	9	8	7	6	5	4	3	2	1
ROWS	A	B	B	B	B	B	B	B	B	B	B
	B	B	B	B	B	B	B	B	B	B	B
	BG	G	G	G	G	G	G	G	G	G	G
	C	B	B	B	B	B	B	B	B	B	B
	D	B	B	B	B	B	B	B	B	B	B
	DG	G	G	G	G	G	G	G	G	G	G
	E	B	B	B	B	B	B	B	B	B	B
	F	B	B	B	B	B	B	B	B	B	B
FG	G	G	G	G	G	G	G	G	G	G	
G	A	B	B	B	B	B	B	B	B	B	
H	A	B	B	B	B	B	B	B	B	B	
HG	G	G	G	G	G	G	G	G	G	G	

⊕ ∅ 0.05 Ⓢ X Y
 ALL PLATED THRU HOLES

RECOMMENDED PC BOARD LAYOUT, BACKPLANE, COMPONENT SIDE SHOWN
 SCALE 4:1

6469320-1
 PART NUMBER

THIS DRAWING IS A CONTROLLED DOCUMENT.		DWN S. J. MAGARO 28JUL2005	TE Connectivity
DIMENSIONS: mm		CHK R. PATTERSON 28JUL2005	
TOLERANCES UNLESS OTHERWISE SPECIFIED:		APVD P. PATTERSON 16AUG2007	NAME
9 PLC ± 3 PLC ± 5 PLC ± 4 PLC ± ANGLES ±		PRODUCT SPEC	HEADER ASSEMBLY, 4 PAIR, SELECTIVELY LOADED, 2.5mm TAIL, 25mm HMZd
MATERIAL		APPLICATION SPEC	SIZE CAGE CODE DRAWING NO RESTRICTED TO
FINISH		WEIGHT	A100779C=6469320
CUSTOMER DRAWING		SCALE 8:1	SHEET 1 OF 1 REV B