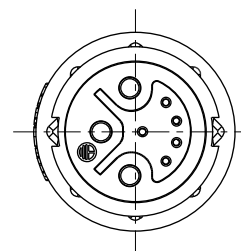
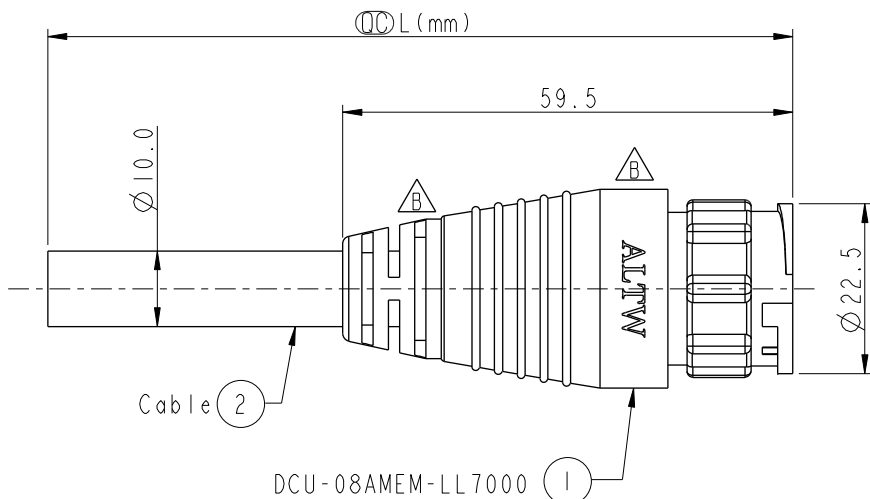
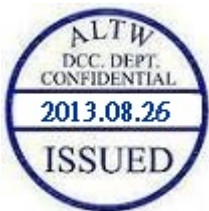


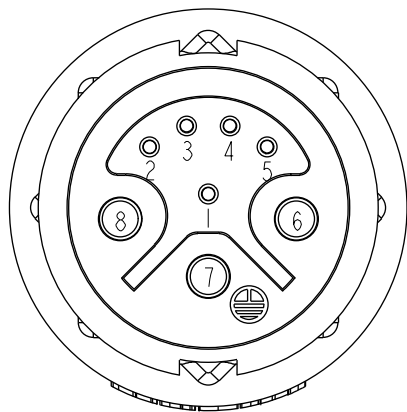
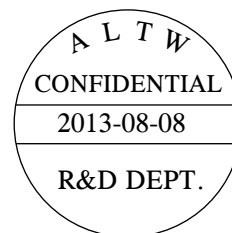
REV.	ECN NO.	DATE	SIGN	DESCRIPTION
B	LEN1380148-151	2013/08/08	Ruru	Modify the SR & Tolerance & Change Logo



DCU-08AMEM-LL7BXX

XX: 01~99Meter
 01: 01Meter
 02: 02Meters
 ...
 99: 99Meters

Cable Length(L): 01~99Meters



Conn. Pin Assignments Front View

8	Brown	16AWG	棕	Twist
7	Green/Yellow	16AWG	綠/黃	
6	Blue	16AWG	藍	Twist
5	Red	24AWG	紅	
4	Green	24AWG	綠	
3	White	24AWG	白	
2	Blue	24AWG	藍	
1	Drain		地線	
Conn.	Wire Color		Pin Out	

Note:

- * \varnothing Important Dimension To Check
- * Waterproof Rate: IP67
- * Connector: Nylon+GF, UL94V-0, Black
- * Pin: Copper Alloy, Gold Plated
- * Cable: UL2586 (24#*1P+A)*2C+16#*3C+Drain+Al/Mylar, PVC Jacket, UV Resistant, OD= \varnothing 10.0mm, Black
- * Cable Length Tolerance: 01M \pm 40mm
 02M~05M: \pm 60mm
 06M~10M: \pm 100mm
 11M~30M: \pm 200mm
 31M~99M: \pm 500mm

UNIT:mm	
TOLERANCE	± 0.5 mm $\triangle B$

TITLE Large Size, Lock Type MConn. 3MPin(20A)+5FPin(2A)			
SCALE 1:1	SIZE A4	SHEET 1 OF 1	
REV. B	WC-REV. B.2	\varnothing : Inspection item	

Amphenol LTW
 安費諾亮泰企業股份有限公司

ITEM NO	DRAWN BY Ruru	DATE 2013-08-20
DWG NO DCU-08AMEM-LL7BXX	CHECKED BY Rita	DATE 2013-08-20
CUSTOMER ALTW	APPROVED BY Maslow	DATE 2013-08-20

THIS DOCUMENT IS SUBJECT TO CHANGE WITHOUT NOTICE. IT IS CONFIDENTIAL AND A PROPERTY OF AMPHENOL LTW. DISCLOSURE TO THIRD PARTY HAS TO BE AUTHORIZED BY AMPHENOL LTW.