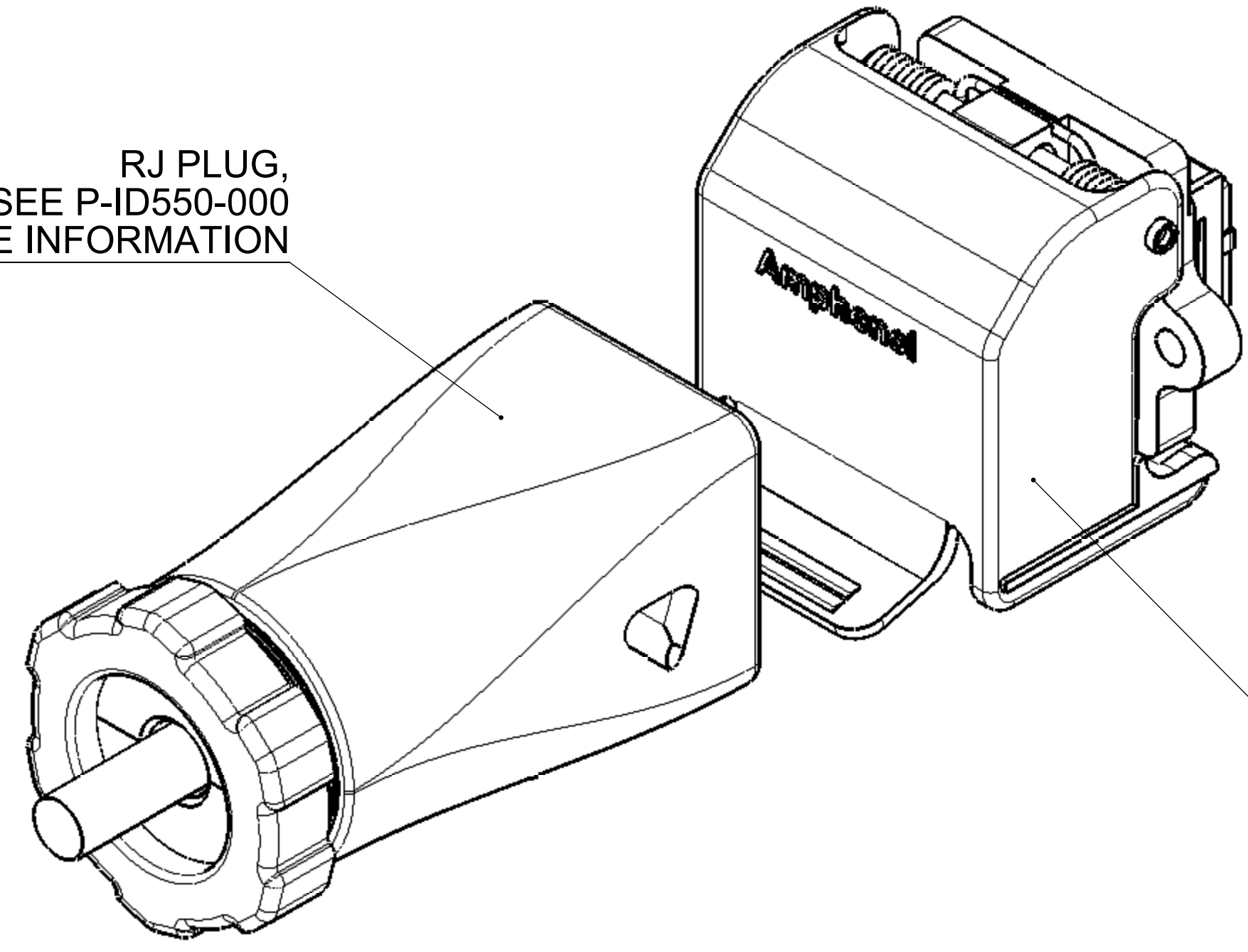


RJ PLUG,
SEE P-ID550-000
FOR MORE INFORMATION



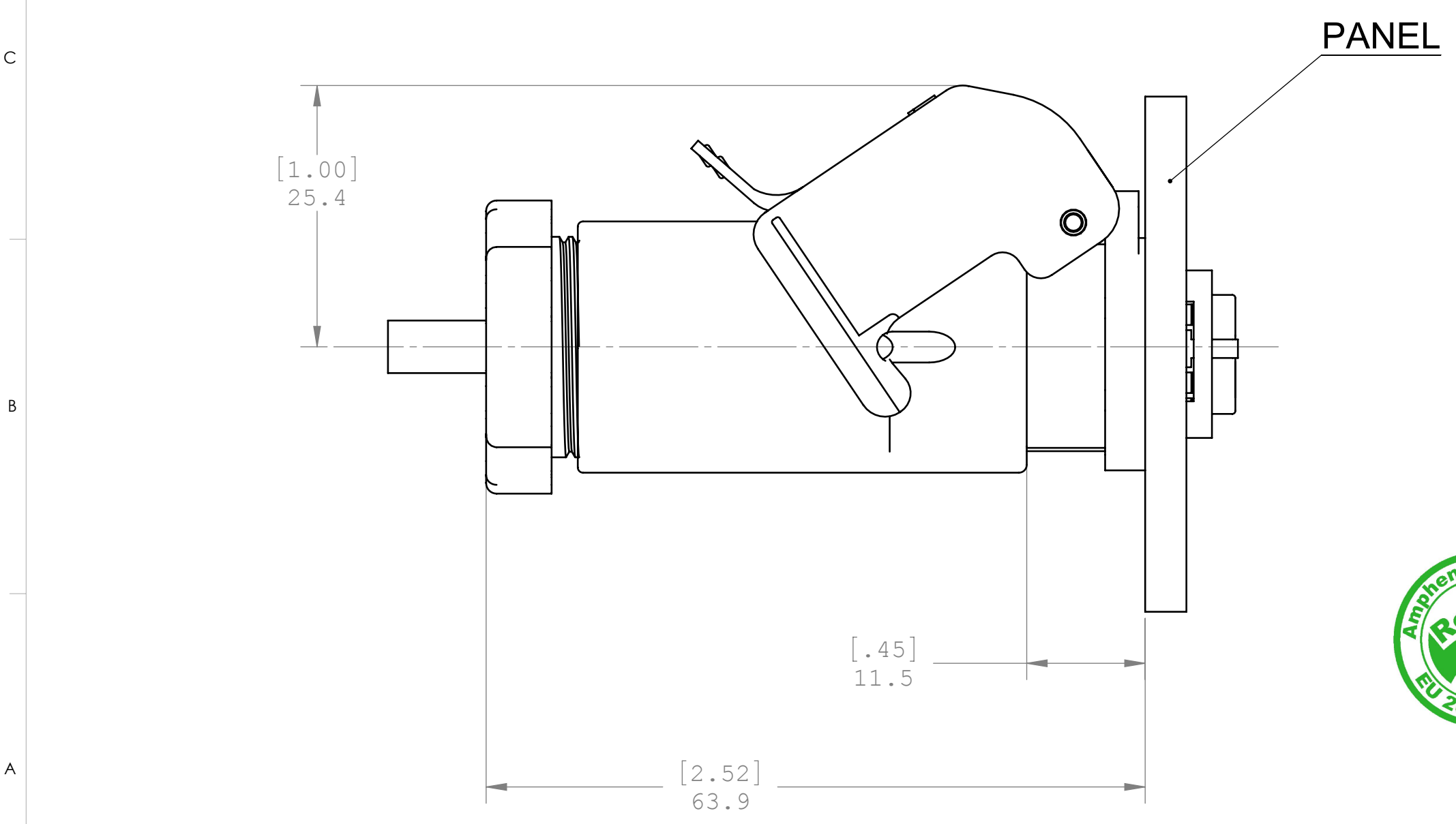
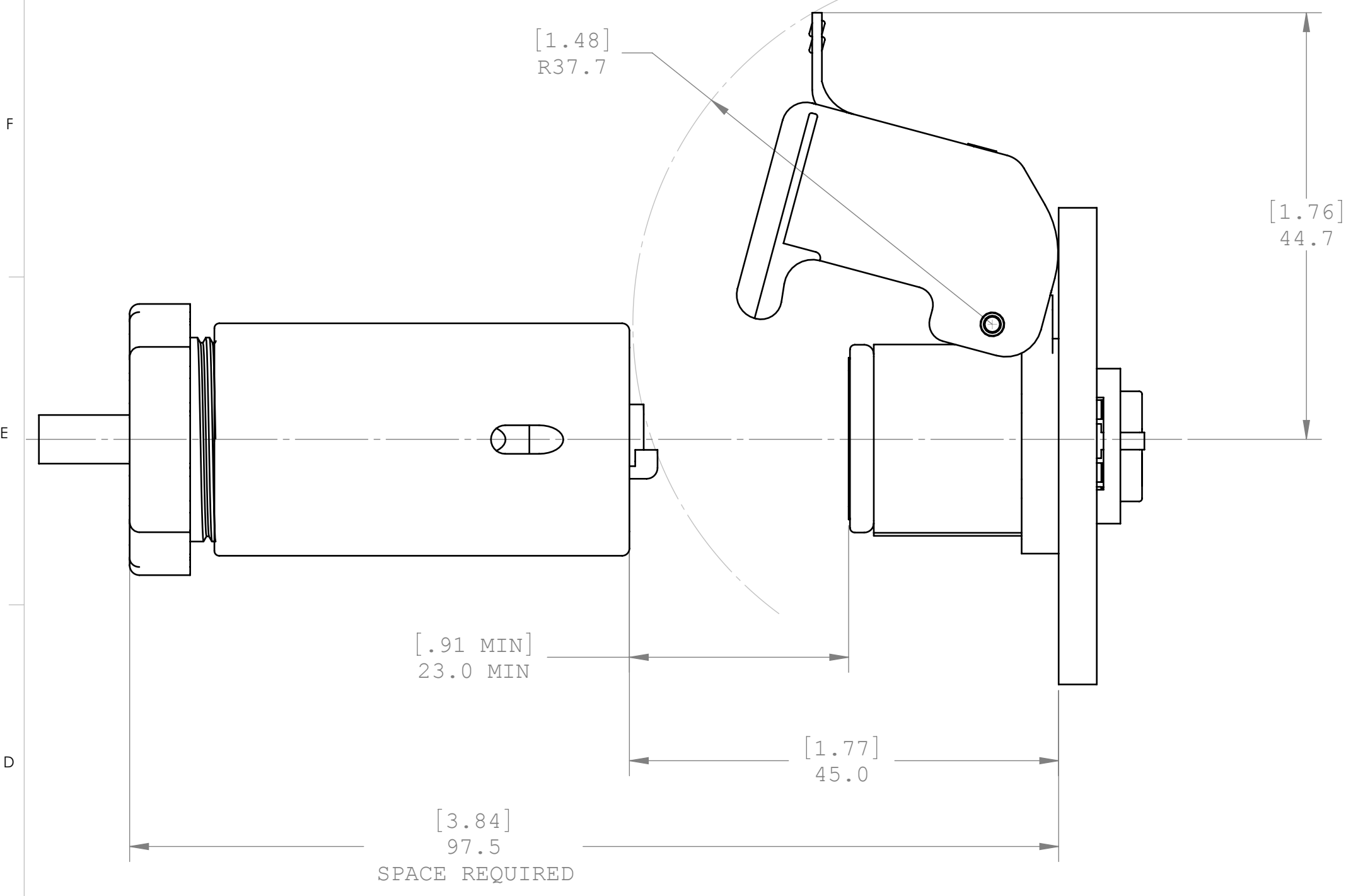
RJ RECEPTACLE,
SEE P-ID450-000
FOR MORE INFORMATION

NOTES:

1. OPERATING TEMPERATURE: -40°C TO +85°C.
2. ENVIROMENT PERFORMANCE: IP67.
3. CONNECTOR IS ROHS COMPLIANT PER EU DIRECTIVE 2002/95/EC AND AMENDMENTS.
4. CONNECTOR IS ETHERNET CAT5 TEST COMPLIANT PER TIA/EIA 568B - ISO/IEC 11801 STANDARD.
5. PART NUMBER FOR ORDER IS ID750-000.



UNLESS OTHERWISE SPECIFIED DIMENSIONS ARE IN MILLIMETER TOLERANCES ARE:		APPROVALS	DATE	Amphenol Canada Corp.	
DECIMALS	ANGLES	DRAWN			
.XX ± .10	± 1°	S.SEMENOV	FEB15/07	TITLE RJ RECEPTACLE AND PLUG	
.X ± .25		DESIGNED	FEB15/07		
MATERIAL AND FINISH		CHECKED		SIZE	DWG. NO.
		QA APP'D		C	P-ID750-000
REF.		IE APP'D		SCALE	REV.
CODE IDENT. NO.		DWG APP'D	FEB15/07	2.5:1	A
		A.GREEN		PROJECT ID	SHEET 1 OF 2



UNLESS OTHERWISE SPECIFIED DIMENSIONS ARE IN MILLIMETER TOLERANCES ARE:		APPROVALS	DATE	Amphenol Canada Corp.	
DECIMALS	ANGLES	DRAWN			
.XX ± .10	± 1°	S.SEMENOV	FEB15/07	TITLE RJ RECEPTACLE AND PLUG	
.X ± .25		DESIGNED			
MATERIAL AND FINISH		S.SEMENOV	FEB15/07	SIZE C	
		CHECKED			
		QA APP'D		REV. A	
REF.		IE APP'D			
CODE IDENT. NO.		DWG APP'D	FEB15/07	PROJECT ID	
		A.GREEN			

DO NOT SCALE DRAWING
THIS DOCUMENT CONTAINS PROPRIETARY INFORMATION AND SUCH INFORMATION MAY NOT BE DISCLOSED TO OTHERS FOR ANY PURPOSE OR USED FOR MANUFACTURING PURPOSES WITHOUT PERMISSION FROM AMPHENOL CANADA CORP.