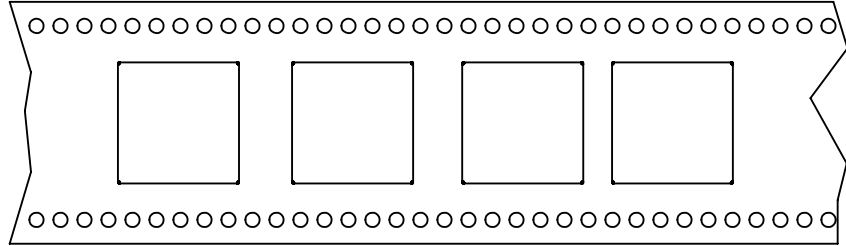


1.260 [1.260]

1.260 [1.260]

.236  
[.236]

.004 [0.10]



CARRIER TAPE

CARRIER TAPE SPECIFICATIONS						
PART NUMBER	DESCRIPTION	OVERALL DIMENSION	OVERALL HEIGHT	CARRIER TAPE WIDTH	CARRIER TAPE PITCH	PARTS PER REEL
SMS-304	ONE PIECE SHIELD	1.260 x 1.260 [32.00 x 32.00]	.236 [6.00]	44 mm	36 mm	225

THIS DOCUMENT CONTAINS PROPRIETARY INFORMATION OWNED BY LEADERTECH, OR DEVELOPED AT ITS OWN PRIVATE EXPENSE, AND MAY NOT BE USED, DUPLICATED OR DISCLOSED IN WHOLE OR IN PART FOR ANY PURPOSE INCLUDING DESIGN, MANUFACTURE OR PROCUREMENT WITHOUT THE WRITTEN PERMISSION OF LEADERTECH. LEADERTECH DOES NOT GUARANTEE OR WARRANTY THE PERFORMANCE CHARACTERISTICS.

**UNLESS OTHERWISE SPECIFIED:**  
 - ALL DIMENSIONS ARE IN INCHES  
 - PART SHALL BE FREE OF BURRS AND SHARP EDGES  
 - ALL DIMENSIONS SHOWN APPLY BEFORE PLATINGS AND COATINGS  
 - ROHS COMPLIANT PER EU DIRECTIVE 2011/65/EU  
 - POI = POINT OF INTERSECTION

THIRD ANGLE PROJECTION

ANGLES +/- 2°

DRAWN BY: ACS 2015-04-14

APPROVED BY:

FINISH: MATTE

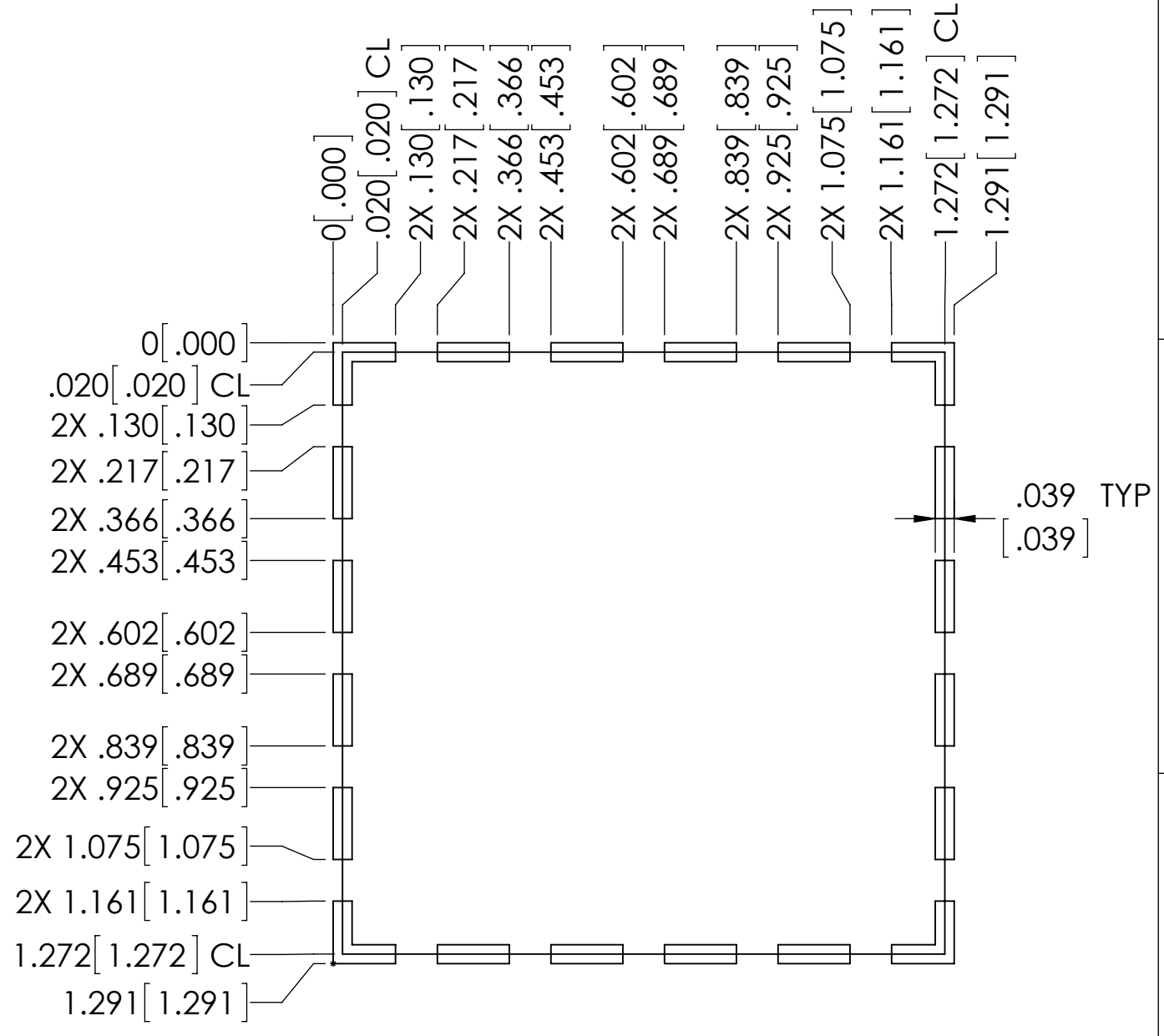
MATERIAL: .008 [0.20] PRE TIN STEEL

ITEM NO.	PART NUMBER	DESCRIPTION	QTY.
1	SMS-304	ONE PIECE SHIELD	1

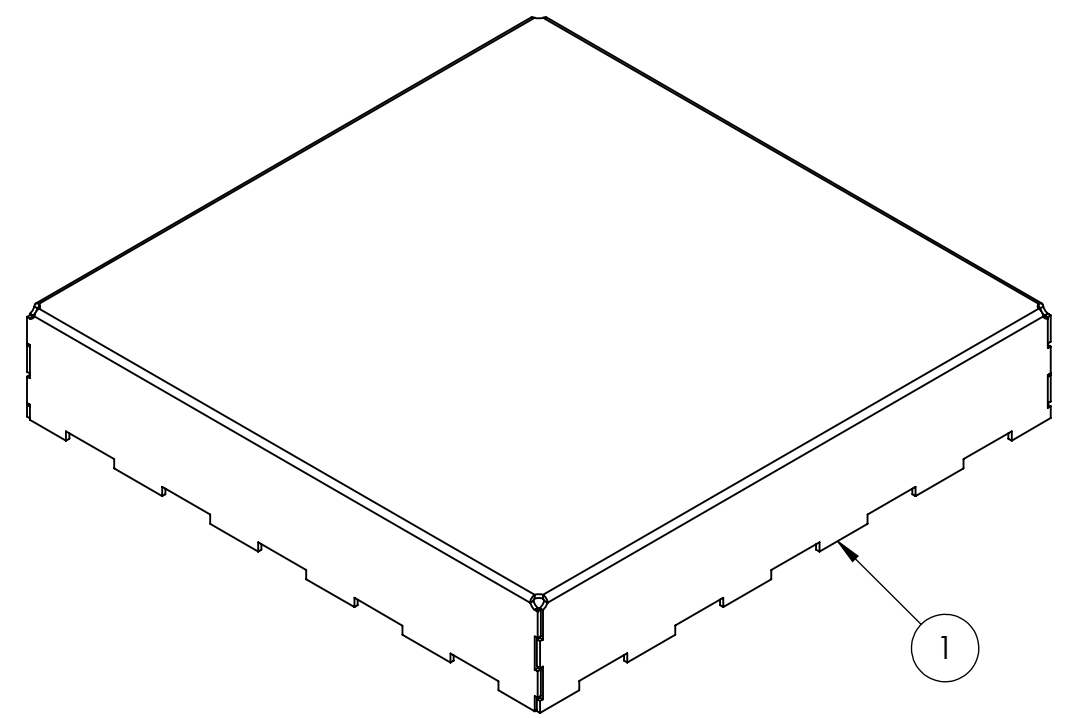
TITLE: SURFACE MOUNT SHIELD ONE PIECE

SCALE: C DWG. NO.: SMS-304 REV: A

SCALE: 3:1 CAGE CODE: 4J674 SHEET: 1 OF 1



TRACE PATTERN



1