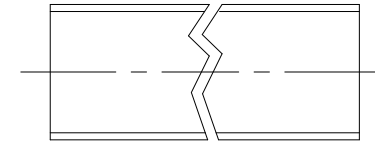
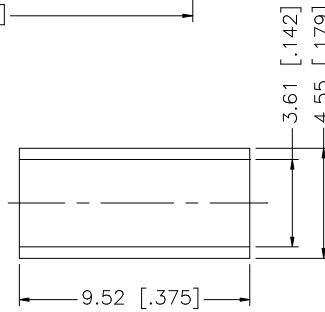
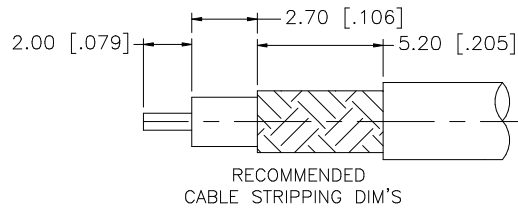
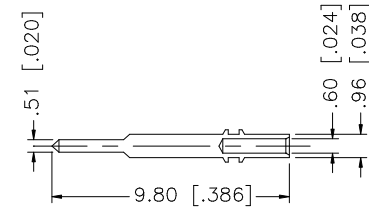
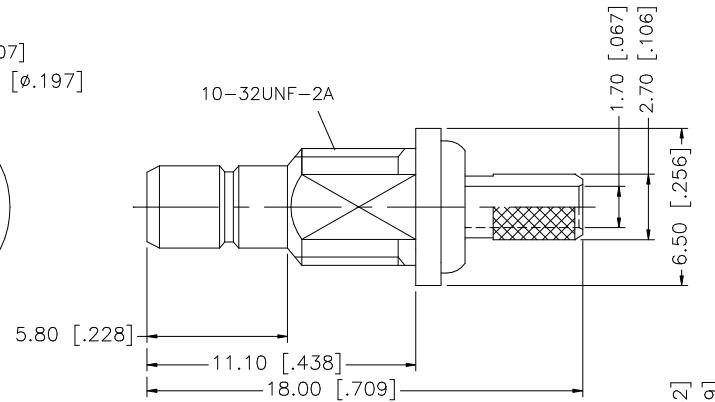
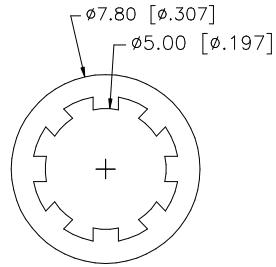
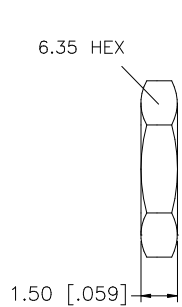
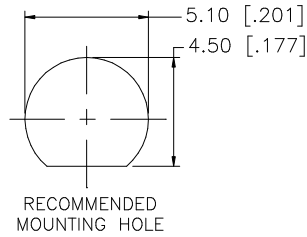


REV.	DATE	DESCRIPTION
NC	01/25/99	INITIAL RELEASE
A	07/28/06	UPDATE DRAWING FORMAT



NOTE:

1. CRIMPED FERRULE HEX CRIMP SIZE .151"
2. CRIMPED CONTACT PIN SQ. CRIMP SIZE 0.7mm

QTY	DESCRIPTION	MATERIAL	FINISH
8			
7	HEAT SHRINK TUBE		
6	FERRULE	COPPER	NICKEL
5	HEX NUT	BRASS	NICKEL
4	LOCK WASHER	BRASS	NICKEL
3	CONTACT PIN	BRASS	GOLD
2	INSULATOR	TEFLON	NATURAL
1	BODY	BRASS	NICKEL
	DESCRIPTION	MATERIAL	FINISH

UNLESS OTHERWISE SPECIFIED DIMENSIONS ARE IN MILLIMETERS. DIMENSIONS IN [] ARE IN INCHES AND FOR CUSTOMER REFERENCE ONLY.

UNLESS OTHERWISE SPECIFIED TOLERANCES FOR MILLIMETERS ARE:
0.5 - 8mm ± 0.20mm
8 - 30mm ± 0.40mm
30 - 120mm ± 0.50mm

UNLESS OTHERWISE SPECIFIED TOLERANCES FOR INCHES ARE:
.020 - .315 = ± 0.007"
.315 - 1.180 = ± 0.015"
1.180 - 4.724 = ± 0.020"

DO NOT SCALE DRAWING

APPROVALS	DATE
DRAWN G.R.S.	07/28/06
CHECKED	
ISSUED	
SHEET 1 OF 1	
CAD FILE	C:/142/142180.DWG

Amphenol Connex

PART DESCRIPTION	PART NO.	DWG. NO.	REV.	SIZE	SCALE
SMB BULKHEAD CRIMP JACK (FOR RG-316U/D CABLE)	142180	142180.DWG	A	A	NA