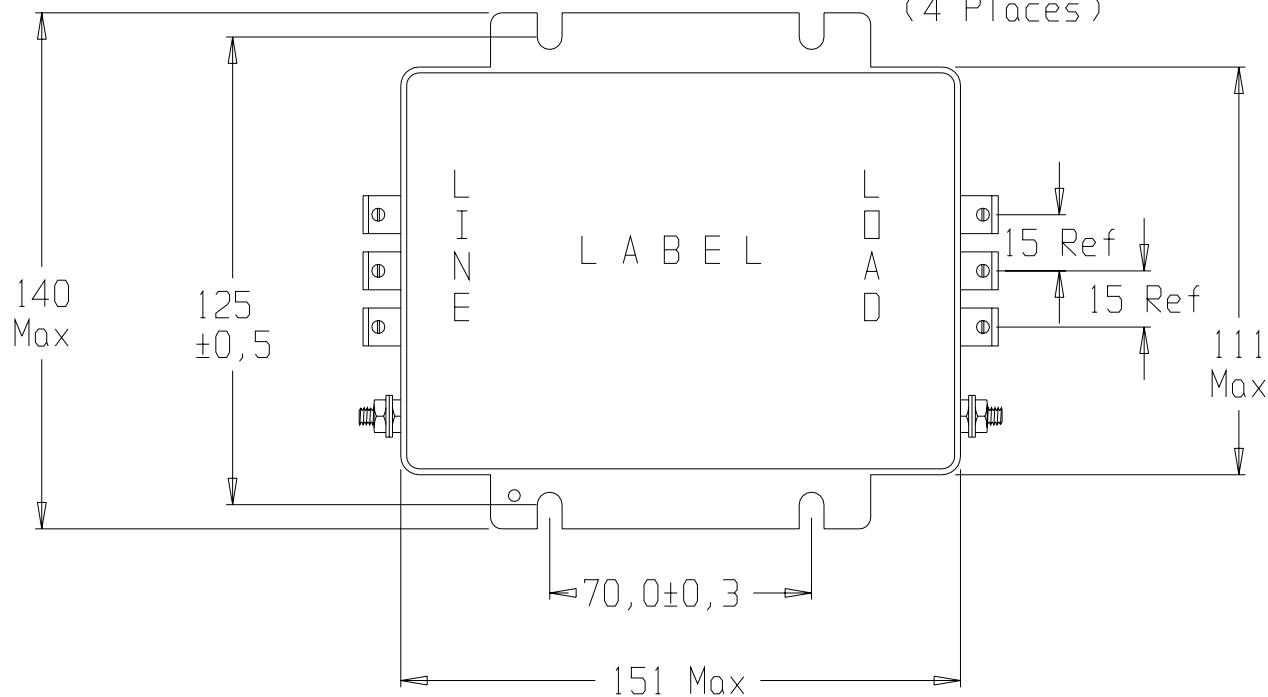
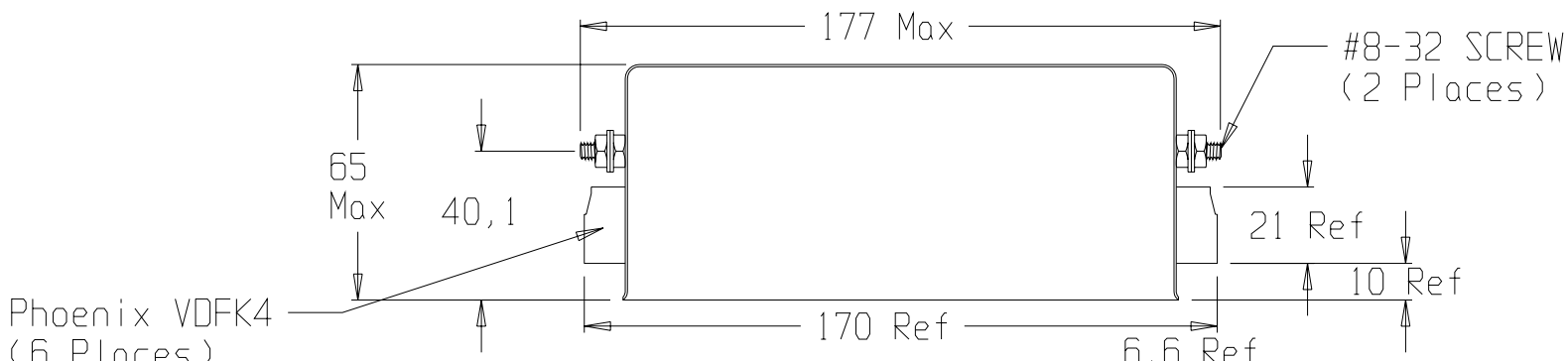


ECN #	APPRVD.	DATE	REV.
/			



SPECIFICATION

16Amp /40°C 50-60Hz

440VAC Phase to Phase

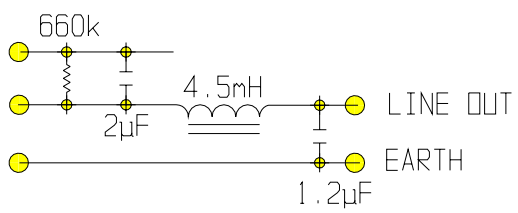
250VAC Phase to Neutral/Gnd

ATTENUATION

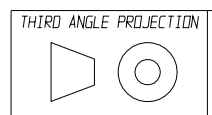
Comm. Mode - 70dB μ V at 100kHz

Dif. Mode - 70dB μ V at 100kHz

EQUIVALENT SCHEMATIC MEASURED AT 1kHz



Max. Leakage current at 10% unsymmetrical mains, each Line to Ground:
 2,3mA at 120V 60Hz
 4,0mA at 250V 50Hz



This document is proprietary to CORCOM INC. and is not to be reproduced nor used for manufacturing purposes except on CORCOM'S order or prior written consent.



RFI FILTER

CAD FILE: cde\prt\cdf7741		DRG. NO.	REV.
SCALE: .45:1	DATE: 02-16-96	16FCD10	00
DRW. BY: MS	ORIG: MS		