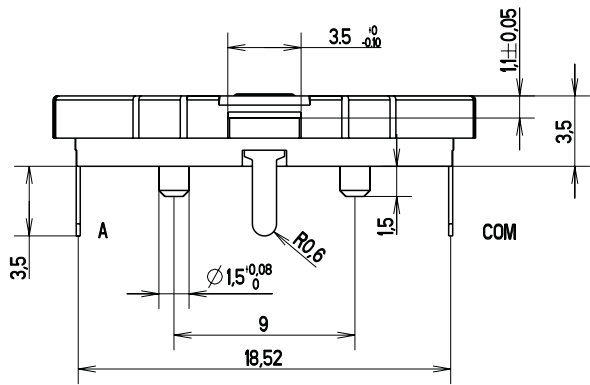
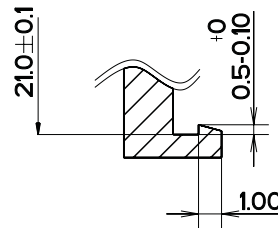


REV.	N° DCR	NATURE DE LA MODIFICATION	DATE	VISA
A	ECR-4981	Suppression reference 43 TA3 A00 FP	23/06/2010	L.B

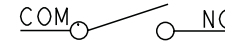


COVER DESIGN GUIDELINE

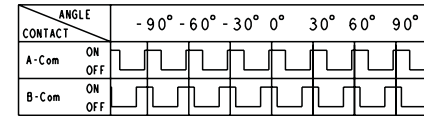


CONTACT CONFIGURATION

Push



Rotation output waveform



CW ← → CCW

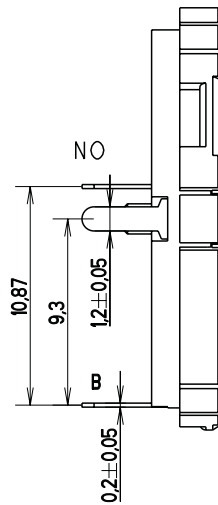
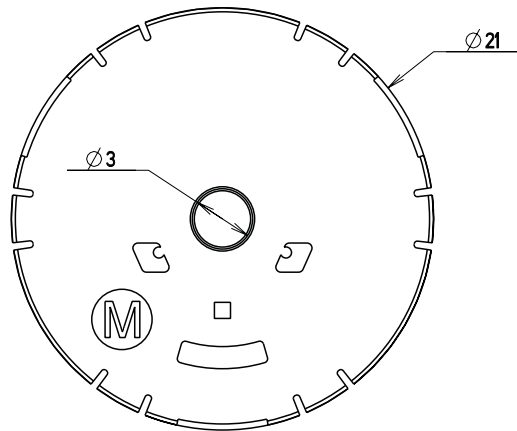
Numbers of detent : 24

Pulse/Rotation : 12 pulse/360°

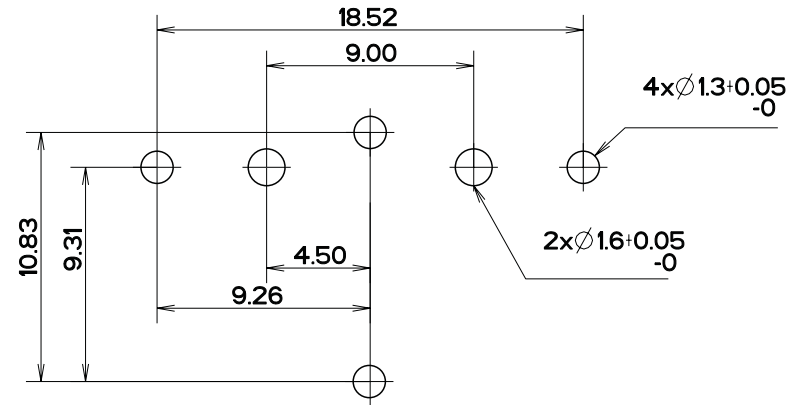
1

2

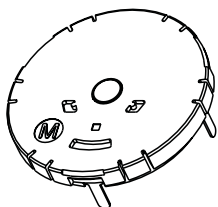
3



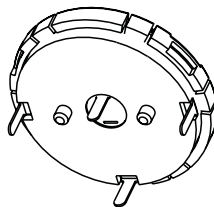
PCB LAYOUT



Reference	Designation
43 TA3 C00 FP	TSW A-3N-C LFS



ECHELLE 2,000



MATERIAL / VOLUME	TREATMENT	PROTECTION
UNLESS OTHERWISE : - DIMENSIONS GIVEN BEFORE PROTECTION - BURRS AND SHARP EDGES DELETED	LINEAR TOLERANCE ± 0.4 ANGULAR TOLERANCE ± 1° SURFACE FINISH Ra	CRITICAL DIMENSIONS 0 SPC DIMENSIONS 0
CREATE BY JUILLE P DATE 07/09/2009	MODIFICATION see revision table on the first sheet REPLACE	
CHECKED BY KUBAT L DATE	FILENAME 43MTA001FP.KPLUAE FOLDER Dossier_racine/dole_south.rd/zippy/bouton/produit	
APPROVED BY Laurent Kubit DATE 2010.06.24 08:52:15 +02'00'	PART DESCRIPTION Tact and Scroll Wheel TYPE A	
G&K C&K Components	SCALE 4,000	
BP 359 - 39105 Dole - FRANCE -	SIZE A3 SHEET 1 / 1	PART NUMBER CU 43 MTA 001 FP REV A

A

B

C

D

E

F

1

2

3

4