

50	P	66.65	52.68	61.11	11.08	14.99	11.09	5.85	55.07	13.31	1.50	1.0
	S	66.65	52.30	61.11	10.62	14.99	11.21	6.05	55.07	13.31	1.10	0.8
37	P	68.94	55.30	63.50	8.23	12.17	11.09	5.85	57.45	10.46	1.50	1.0
	S	68.94	54.71	63.50	7.77	12.17	11.21	6.05	57.45	10.46	1.10	0.8
25	P	52.65	38.84	47.04	8.23	12.17	11.07	5.85	41.02	10.46	1.10	0.8
	S	52.65	38.25	47.04	7.77	12.17	11.21	6.05	41.02	10.46	1.10	0.8
15	P	38.76	25.12	33.32	8.23	12.17	10.99	5.85	27.25	10.46	1.10	0.8
	S	38.76	24.54	33.32	7.77	12.17	11.21	6.05	27.25	10.46	1.10	0.8
09	P	30.43	16.79	24.99	8.23	12.17	10.99	5.85	19.02	10.46	1.10	0.8
	S	30.43	16.21	24.99	7.77	12.17	11.21	6.05	19.02	10.46	1.10	0.8
SHELL SIZE		$A^{+0.76}$	$B^{+0.25}$	$C^{\pm 0.12}$	$D^{+0.25}$	$E^{+0.76}$	F_{MAX}	$G^{+0.15}$	$H^{+0.51}$	$J^{+0.51}$	$K^{\pm 0.2}$	$L^{+0.22}$

NOTE: INSIDE DIMENSION OF MALE AND OUTSIDE DIMENSION OF THE FEMALE CONNECTOR

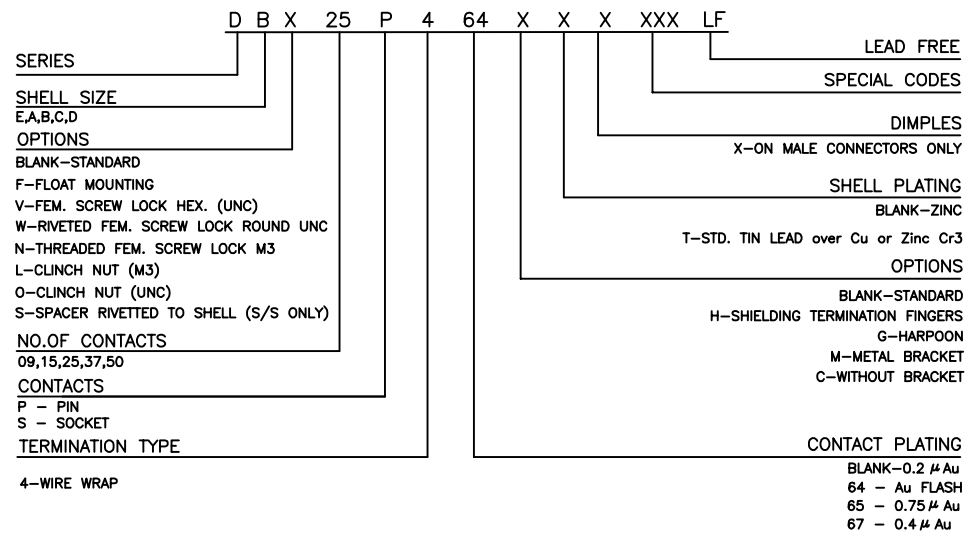
TECHNICAL SPECIFICATIONS

- SHELLS : TIN/CADMIUM/ZINC PLATED STEEL
- INSULATOR MATERIAL : SELF EXTINGUISHING THERMOPLASTIC- TO UL CLASS 94 V0
- THE HOUSING WILL WITHSTAND EXPOSURE TO 260-265°C IF WE USE PROTECTIVE ADHESIVE (type Kapton or Teflon) OR PROTECTIVE METALLIC DEVICE
- CONTACTS DIA ON ACTIVE AREA : $\phi 1$ MM.
- CONTACTS MATERIAL : COPPER ALLOY
- CONTACT PLATING : GOLD OVER NICKEL (ACTIVE ZONE)
- FOR LEAD FREE PLATING : 2 μ MIN.MATTE TIN TOP OVER 1.27 μ MIN.NICKEL UNDER PLATE(ON TERMINATION ZONE)
- OPERATING TEMPERATURE : -55°C +125°C
- OPERATING CURRENT : 5 A PER CONTACT
- CONTACT RESISTANCE : $\leq 10m\Omega$
- INSULATION RESISTANCE : $\geq 5000 M \Omega$
- MAXIMUM VOLTAGE : 1000 V.r.m.s
- MECHANICAL ENDURANCE : 200 MATINGS .
- DAMP HEAT : 21 DAYS.

"This LF product meets European Union Directives and other country regulations as described in GS-22-008"

The housing will withstand exposure to 260°C peak temperature for 3.5 seconds in a wave solder application with a 1.6mm minimum thick circuit board. Packaging as per GS-14-920

ORDERING INFORMATION



mat'l. code SEE NOTE 4		surface ISO 1302	tolerance ISO 406 ISO 1101	projection 	product family
ltr C	ecn no i06-074	dr GVJ	date 2006/06/08	tolerances unless otherwise specified	title D- SUB W/W CONNECTOR
sheet index		revision C	sheet 1	angles linear	scale MM
sheet		revision C	sheet 1	dr Mini K Vandanath	1999/03/20
sheet		revision C	sheet 1	enr George V Joseph	1999/03/20
sheet		revision C	sheet 1	chr George V Joseph	2006/06/23
sheet		revision C	sheet 1	appd K-V SIVADAS	2006/06/23
sheet		revision C	sheet 1	dwg no C-DSUB-0097	
sheet		revision C	sheet 1	sheet 1 of 1	
sheet		revision C	sheet 1	size A3	
sheet		revision C	sheet 1	type Product Customer Drawing	

Copyright FCI
 FCconnect.com