

A.6: Validé

MASS ± 5%	30.5 g
-----------	--------

NOTES

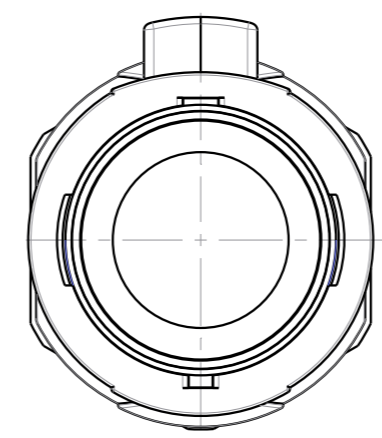
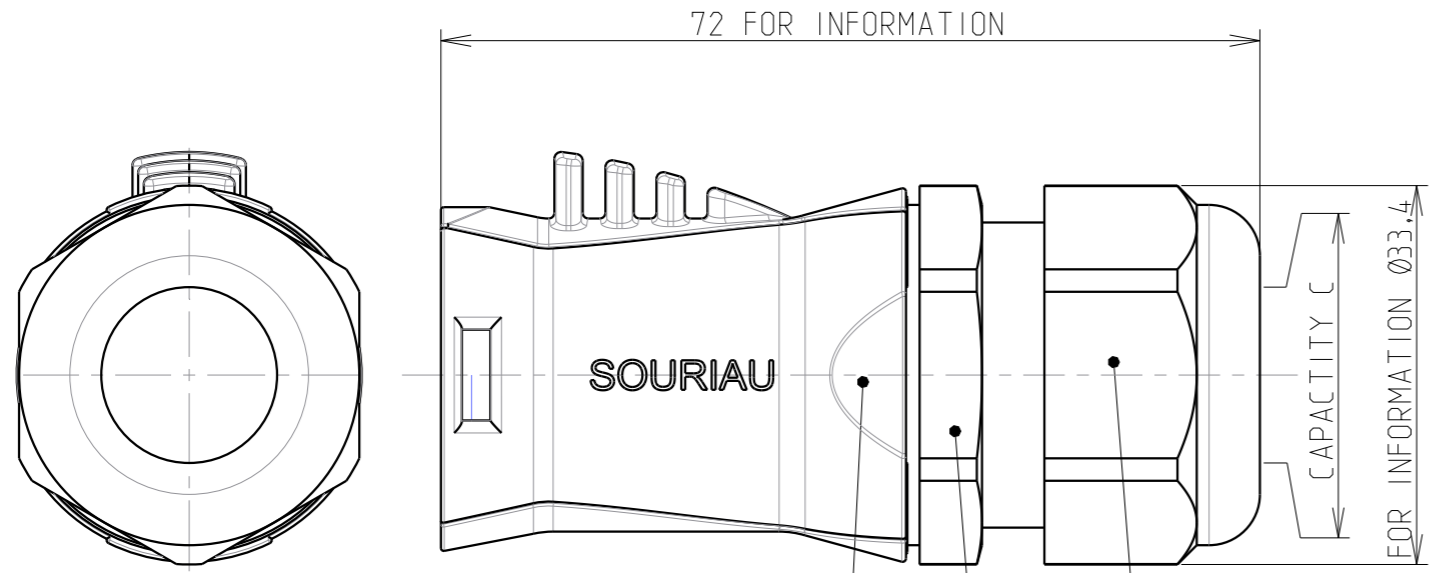
MATERIALS
 BACKSHELL BODY : BLACK POLYAMID
 CABLE GLAND FLAT SEAL : NBR OR CR
 CABLE GLAND BODY AND NUT : BLACK POLYAMID
 CABLE GLAND SEAL : CR

PERFORMANCES CHARACTERISTICS
 SEE COUNTER PART'S CUSTOMER DRAWING

REGULATION
 ROHS COMPLIANT

1. COUNTERPART REFERENCE UTL PLUG UTL6xx145Sxxx
2. BACKSHELL IS DELIVERED AS PRE-ASSEMBLED KIT
3. UNIT IN MM
4. CAPACITY C : Ø10/17mm
5. FOR WIRING AND USED INSTRUCTIONS, SEE BT330

4
3
2
1



72 FOR INFORMATION

Ø33.4 FOR INFORMATION

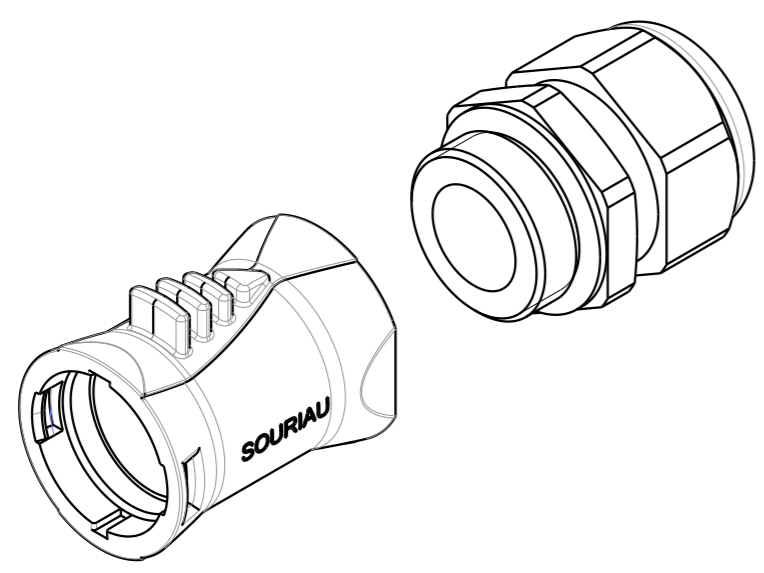
CAPACITY C

ECHELLE 3/2

DIMENSION ON FLAT 29

DIMENSION ON FLAT 30

DIMENSION ON FLAT 30



Country	Jurisdiction & Control List
FR	NOT LISTED

SOURIAU shall not be liable for any non-conformity or damage due to a use of the Products which does not comply with the Specifications issued by either of the Parties or by a third party (professional recommendation, technical notice.)

P/N : UTL14JC

A	21/12/2016	Creation	24328PR
ISS	DATE	Latest modification - by: --	MOD N°
Designed by: RAGAINÉ M.		Date: 21/12/16	CUSTOMER DRAWING
TITLE		BACKSHELL SIZE 14 UTL CONNECTOR	
Scale	1/1	General Linear Tolerances: ± 0.2	NPRDS / PROJECT BE151304A
SOURIAU		WWW.SOURIAU.COM	
This document is the property of SOURIAU It must not be reproduced or communicated without permission			
FORMAT	SOURIAU DRG N° UTL1-0097A-C		SHEET 1 / 1

4
3
2
1

H | G | F | E | D | C | B | A