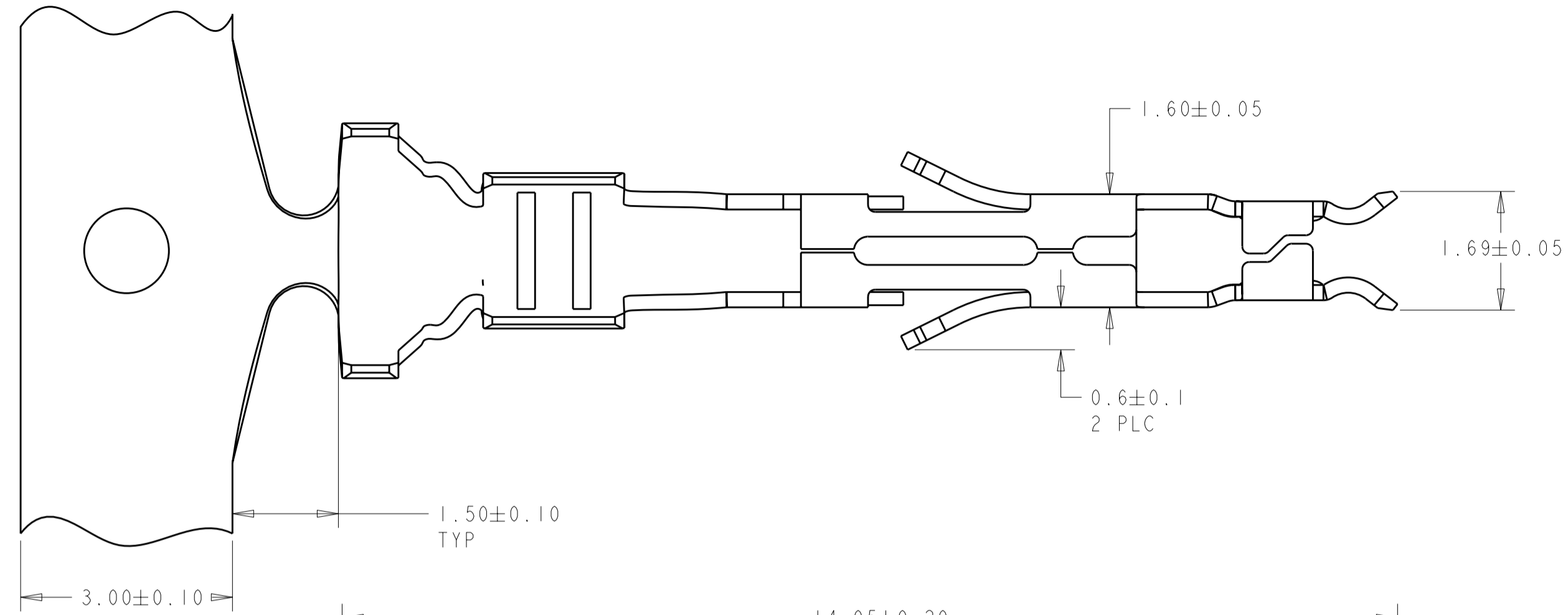
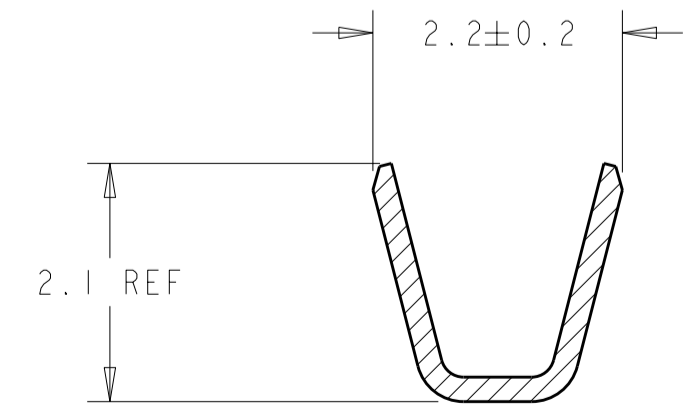
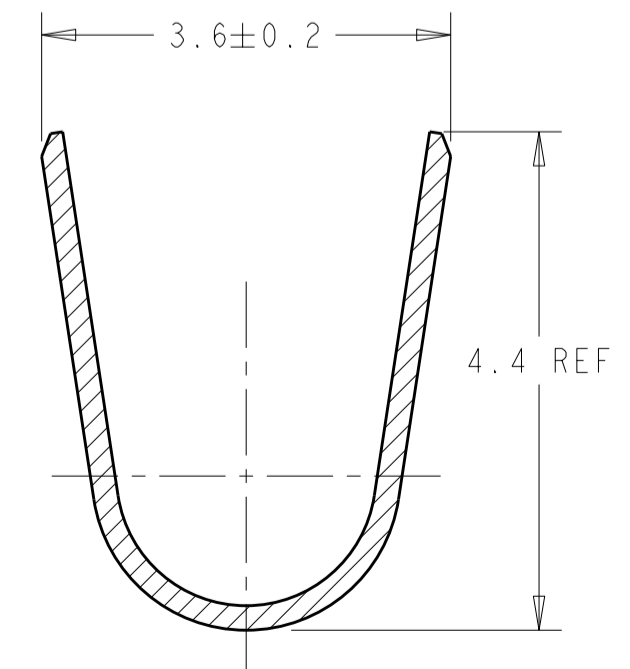
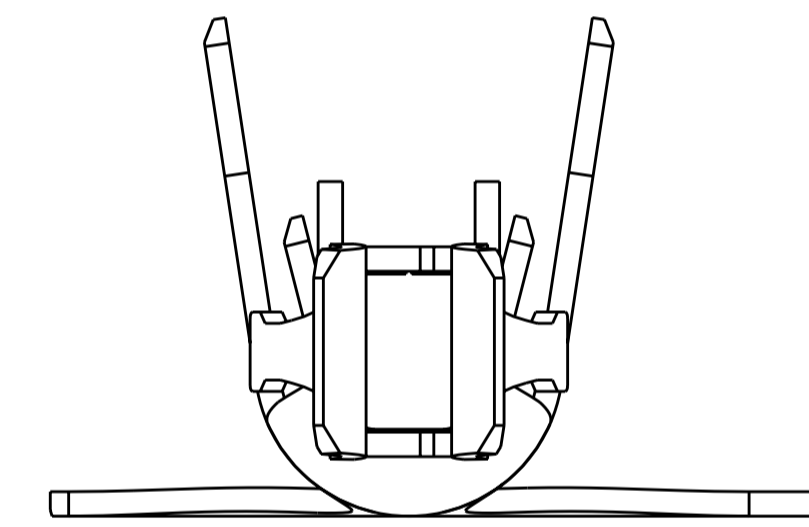
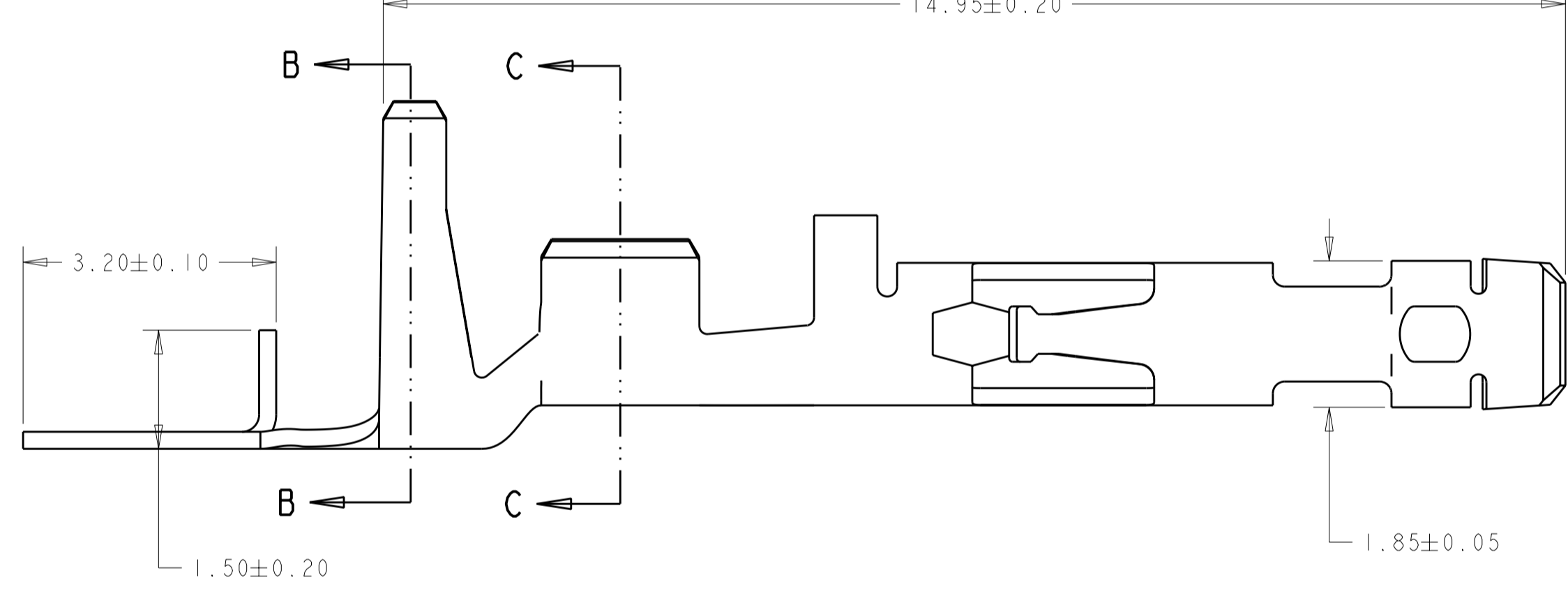


THIS DRAWING IS UNPUBLISHED. RELEASED FOR PUBLICATION 2006  
 © COPYRIGHT 2006 BY TYCO ELECTRONICS CORPORATION. ALL RIGHTS RESERVED.

LOC		DIST		REVISIONS			
P	LTR	DESCRIPTION	DATE	DWN	APVD		
AD	00						
	AI	REVISED PER ECR-09-026352	09DEC2009	HMR	KR		



- 1. WIRE RANGE: 0.30mm<sup>2</sup>-0.50mm<sup>2</sup> (22 - 20 AWG).
- 2. INSULATION RANGE: 1.50-1.95 DIAMETER.
- △3 FINISH: TIN PLATE.
- △4 FINISH: CONTACT LUBRICATION
- △5 FINISH: GOLD PLATE



△5	HIGH CONDUCTIVITY COPPER	1934193-4
△3 △4	HIGH CONDUCTIVITY COPPER	1934193-1
FINISH	MATERIAL	PART NO

THIS DRAWING IS A CONTROLLED DOCUMENT FOR TYCO ELECTRONICS CORPORATION. IT IS SUBJECT TO CHANGE AND THE CONTROLLING ENGINEERING ORGANIZATION SHOULD BE CONTACTED FOR THE LATEST REVISION.		DWN S. J. MAGARO 14DEC2006	Tyco Electronics Corporation Harrisburg, PA 17105-3608	
DIMENSIONS: mm		CHK C. RITTER 14DEC2006	NAME CONTACT, SOCKET AMP-DUAC UPC	
TOLERANCES UNLESS OTHERWISE SPECIFIED: 0 PLC ±- 1 PLC ±- 2 PLC ±- 3 PLC ±- 4 PLC ±- ANGLES ±- FINISH		APVD -	PRODUCT SPEC 108-2248	RESTRICTED TO -
MATERIAL -		APPLICATION SPEC 114-13195	WEIGHT -	SCALE 15:1
CUSTOMER DRAWING		SIZE A2	CAGE CODE 00779	DRAWING NO 1934193
		SHEET 1 OF 1		REV AI