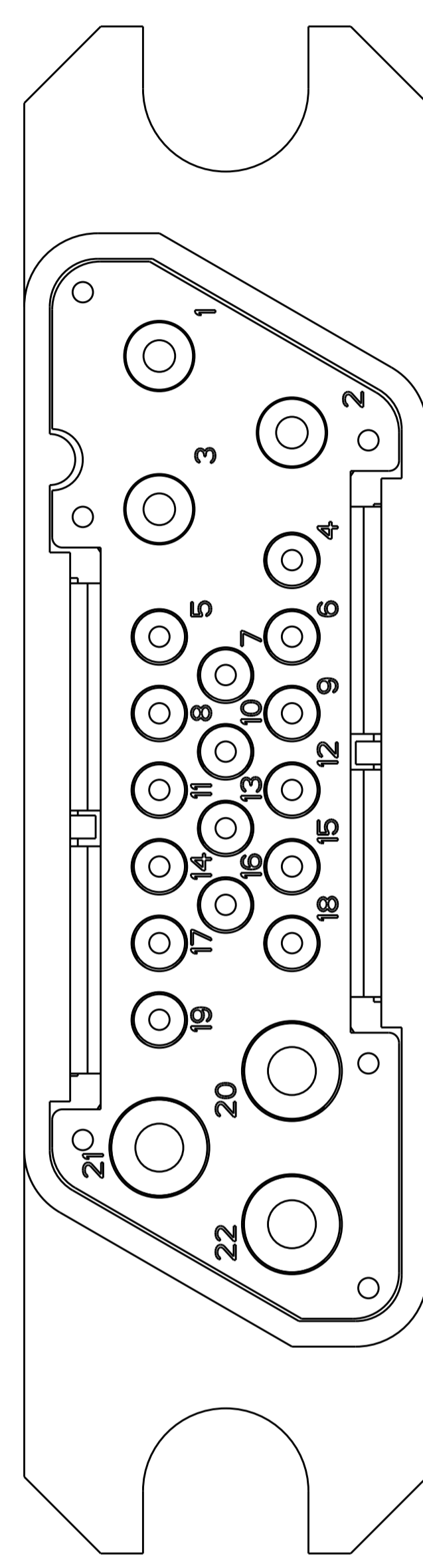
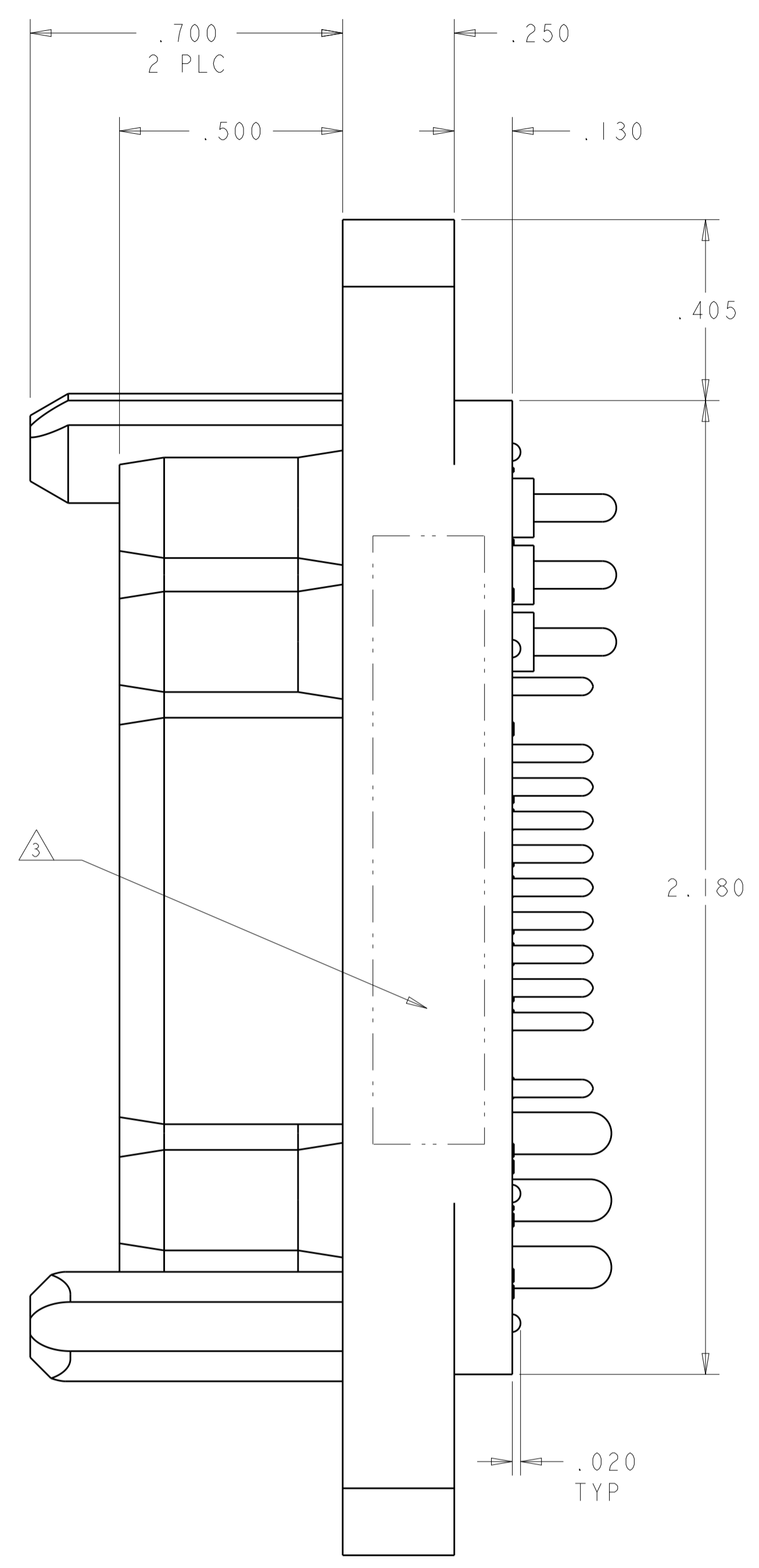
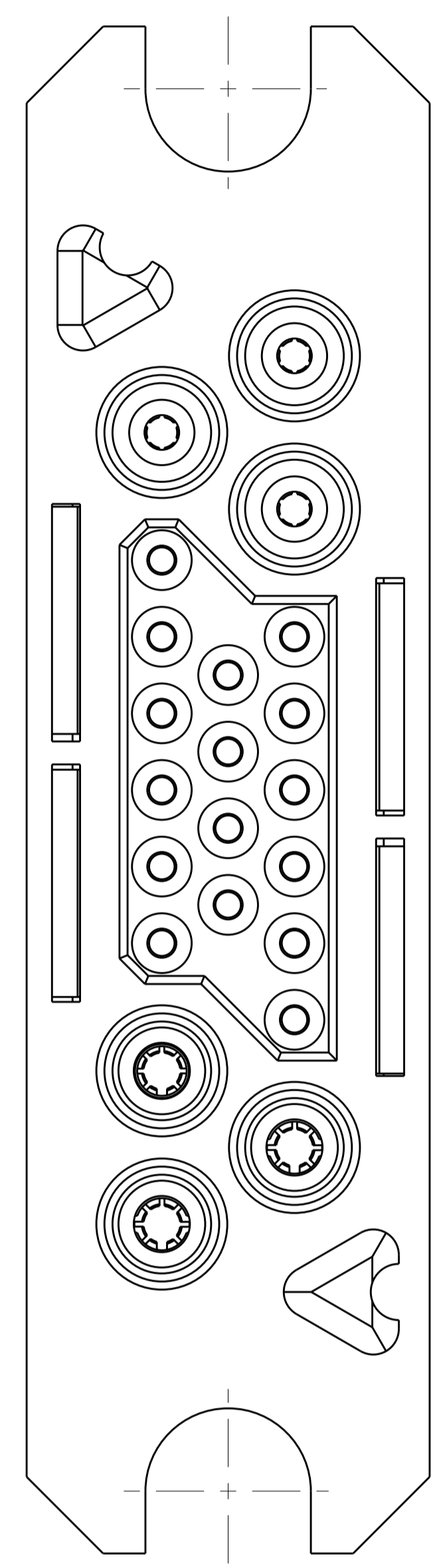


LOC		DIST		REVISIONS			
P	LTN	DESCRIPTION	DATE	DWN	APVD	BM	DO
A		RELEASED	27JUL2012				



REAR VIEW

SOCKET CONTACT (E)  
 SIZE #16  
 POSN. #1 THRU 3

SOCKET CONTACT (B)  
 SIZE #20  
 POSN. #4 THRU 19

SOCKET CONTACT (C)  
 SIZE #12 (6648374)  
 POSN. #20

SOCKET CONTACT (D)  
 SIZE #12 (1648387)  
 POSN. #21 THRU 22

- PART NUMBER CHANGES AND OR DESIGN CHANGES AFFECTING THE INTERCHANGEABILITY REQUIRE PRIOR TYCO APPROVAL AND AUTHORIZATION BY REVISION TO THIS DRAWING.
- MATERIAL:  
 INSULATOR: THERMOPLASTIC, GLASS REINFORCED, UL 94V-0  
 FLAMMABILITY RATED, COLOR: BLACK  
 CONTACT: BRASS ALLOY  
 CROWN BAND: BERYLLIUM COPPER  
 RETENTION CLIP: BERYLLIUM COPPER
- FINISH:  
 CONTACTS SIZE #12 : SILVER .000200" MIN. THK. OVER NICKEL .000040" MIN THK.  
 CONTACTS SIZE #16: SILVER .000200" MIN. THK. OVER NICKEL .000040" MIN. THK.  
 CONTACTS SIZE #20 : GOLD .000010" MIN. THK. OVER NICKEL .000040" MIN THK.  
 CROWN BAND: GOLD (IN CONTACT AREA).000030" MIN. THK. OVER NICKEL .000040" MIN THK.

3 ITEMS PROVIDED TO THIS SPECIFICATION TO BE PERMANENTLY IDENTIFIED PER THE FOLLOWING IDENTIFIER:  
 YEAR [ ] [ ] WEEK

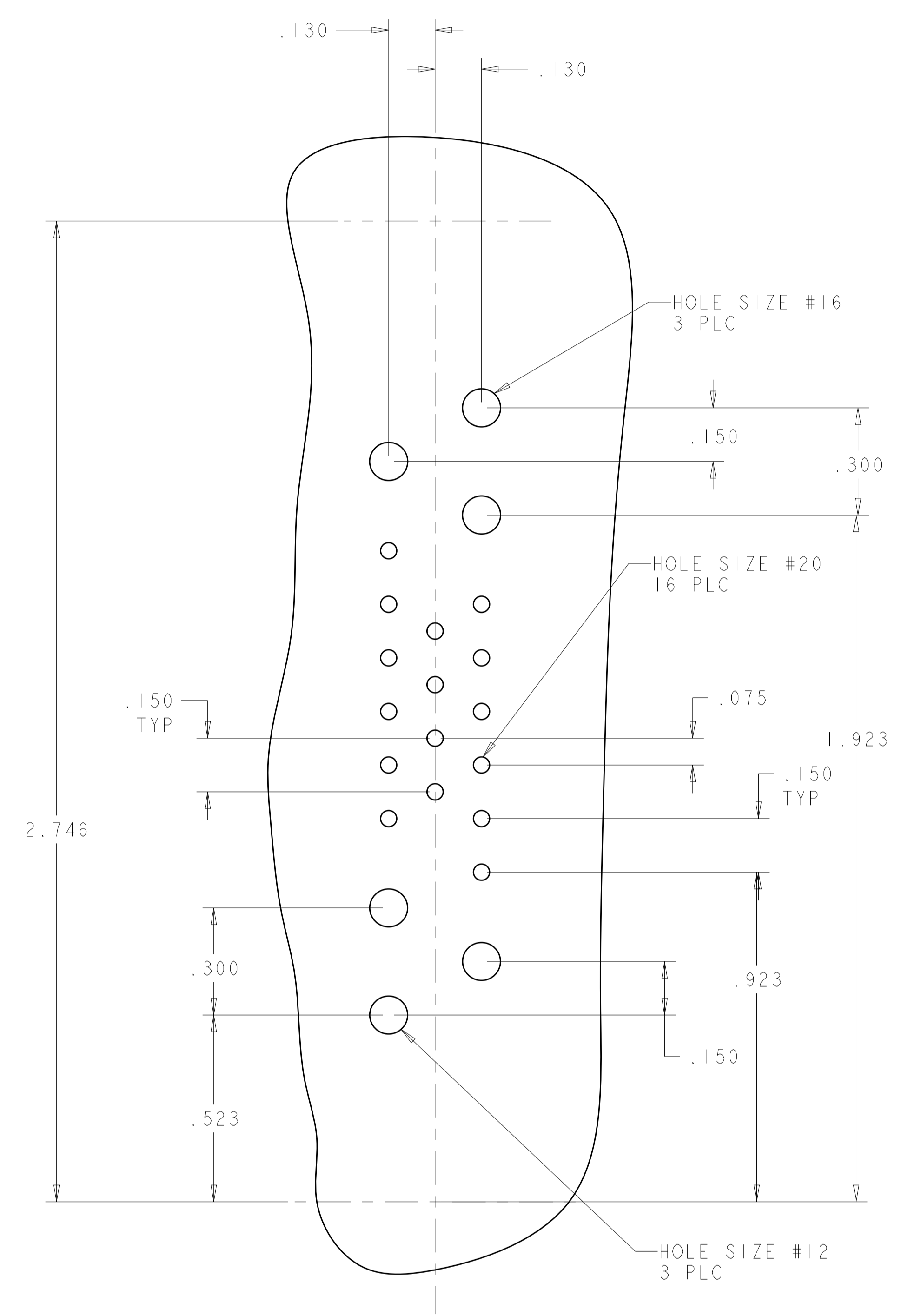
TYCO | PART NO. DATE | CODE (e.g. 0529)  
 XXXXXX-X XXXXX

5 PCB TAIL CONTACTS ARE INSERTABLE/ NON-REMOVABLE

AS SHOWN	2212041-1
DESCRIPTION	PART NUMBER

THIS DRAWING IS A CONTROLLED DOCUMENT.		DWN B. MATTHEWS 27JUL2012	TE Connectivity
DIMENSIONS: INCHES		CHK D. ORRIS 27JUL2012	
TOLERANCES UNLESS OTHERWISE SPECIFIED:		APVD D. ORRIS 27JUL2012	NAME
0 PLC ±		PRODUCT SPEC	CONNECTOR ASSEMBLY, SOCKET WITH PCB TAILS
1 PLC ±.02		APPLICATION SPEC	
2 PLC ±.010		WEIGHT	
3 PLC ±		RESTRICTED TO	
4 PLC ±		Customer Drawing	
ANGLES ±		SCALE 3:1	SHEET 1 OF 2 REV A

LOC	DIST	REVISIONS					
		P	LTN	DESCRIPTION	DATE	DMN	APVD
GP	00	-	-	SEE SHEET 1	-	-	-



**PRINTED CIRCUIT BOARD LAYOUT**  
 VIEW FROM CONNECTOR MOUNTING SIDE

**HOLE SIZE #12**  
 FINISHED HOLE:  $\varnothing .104 \pm .003$   
 DRILLED HOLE:  $\varnothing .106 \pm .0005$   
 COPPER PLATE: .0010 - .0020  
 TIN PLATE: .0002 MIN THK.

**HOLE SIZE #16**  
 FINISHED HOLE:  $\varnothing .108 \pm .003$   
 DRILLED HOLE:  $\varnothing .1065 \pm .0005$   
 COPPER PLATE: .0010 - .0020  
 TIN PLATE: .0002 MIN THK.

**HOLE SIZE #20**  
 FINISHED HOLE:  $\varnothing .047 \pm .003$   
 DRILLED HOLE:  $\varnothing .0453 \pm .0005$   
 COPPER PLATE: .0010 - .0020  
 TIN PLATE: .0002 MIN THK.

3	6648383-1	CONTACT, SOCKET, SIZE #16, PCB TAIL	E
2	1648387-1	CONTACT, SOCKET, SIZE #12, PCB TAIL, HP	D
1	6648374-1	CONTACT, SOCKET, SIZE #12, PCB TAIL	C
16	1648382-1	CONTACT, SOCKET, SIZE #20, PCB TAIL	B
1	1648117-2	HOUSING, SOCKET, PCB MOUNT, NO LABEL	A
-1	PART NUMBER	DESCRIPTION	ITEM

THIS DRAWING IS A CONTROLLED DOCUMENT.		DMN: B. MATTHEWS 27JUL2012	TE Connectivity
DIMENSIONS: INCHES		CHK: D. ORRIS 27JUL2012	
		APVD: D. ORRIS 27JUL2012	NAME: CONNECTOR ASSEMBLY, SOCKET WITH PCB TAILS
TOLERANCES UNLESS OTHERWISE SPECIFIED:		PRODUCT SPEC	RESTRICTED TO
0 PLC ± 1 PLC ±.02 3 PLC ±.010 4 PLC ± ANGLES ±		APPLICATION SPEC	SIZE: A100779C=2212041
MATERIAL: -		WEIGHT: -	Customer Drawing
FINISH: -		SCALE: 3:1	SHEET 2 OF 2 REV A