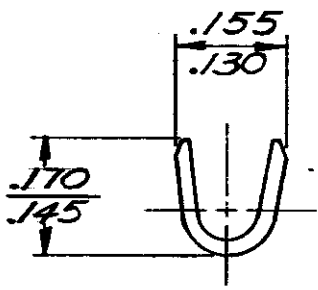
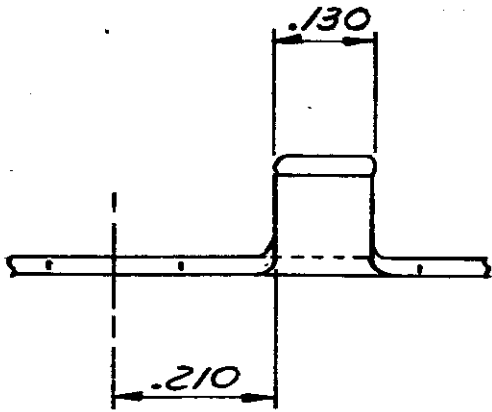
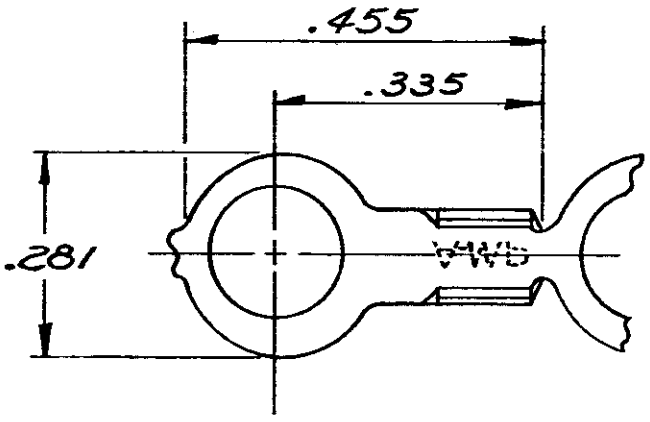



NUMBER 61142



CONTINUOUS STRIP, ON REELS

WIRE SIZE A.W.G.	STUD #	HOLE DIA. ±.003	MATERIAL AND FINISH	TERMINAL NUMBER
18-14	6	.145	.020 - BRASS - NONE	61142-1
18-14	6	.145	.020 BRASS - TIN	61142-2

DIMENSIONS IN INCHES. DO NOT SCALE PRINT.

				©1967 BY AMP INCORPORATED. ALL RIGHTS RESERVED. AMP PRODUCTS COVERED BY PATENTS AND/OR PATENTS PENDING.			CUSTOMER COPY REFERENCE ONLY		
				MATERIAL AND FINISH			 AMP INCORPORATED HARRISBURG, PENNA.		
B OBS-1 AF1608 SS <i>OK 5/2/67</i>									
A ADDED 61142-2 67 <i>6/1/67</i>				WIRE — RANGE — INSULATION			TYPE — H —		
WAS - P-29500				TOLERANCE EXCEPT AS NOTED ± .015 ± 1° 0'			SCALE 4-1		
LTR REVISION RECORD DR CHK DATE				LOC NO			REV		
DR CLAIR E. FINK 1-25-67				DE C. MEYERS 1-26-67			A 61142 6		
CHK APP				NAME RING					