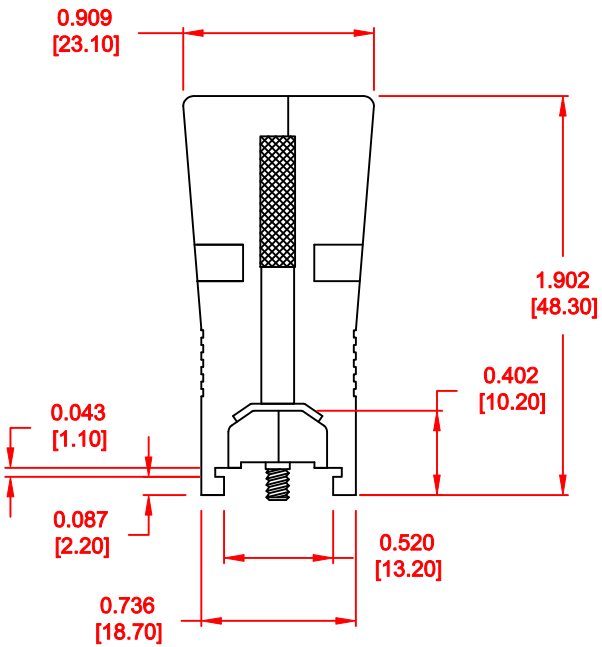
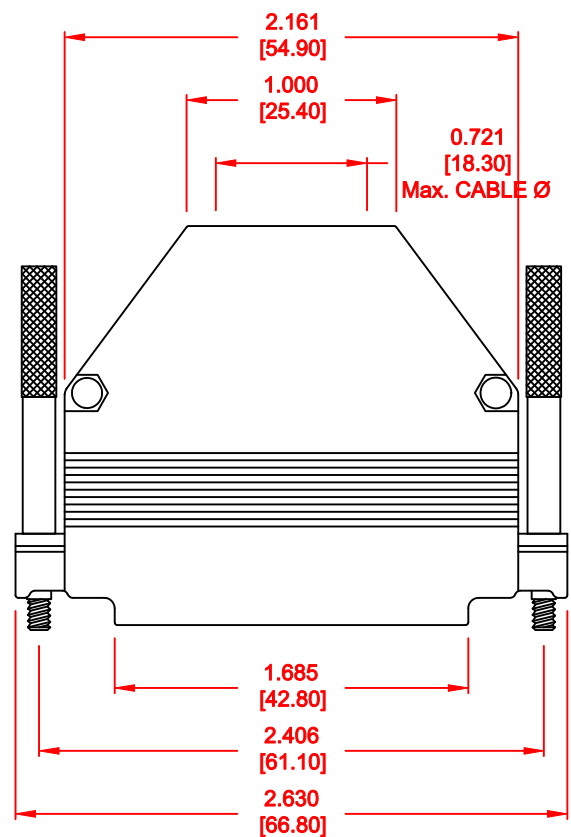


ALL TOLERANCES =  $\pm 0.004$  [ $\pm 0.10$ ]  
UNLESS OTHERWISE INDICATED

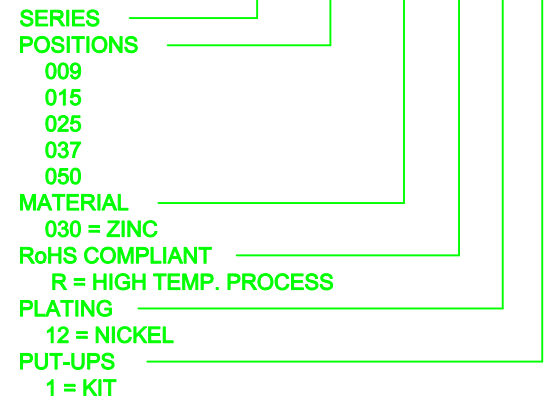
**BACK SHELL KIT INCLUDES:**

- 2 - BACK SHELL HALVES
- 2 - 4-40 THUMBSCREWS
- 2 - SADDLE WASHERS
- 2 - HOUSING SCREWS
- 2 - HOUSING NUTS
- 1 - GROMMET TREE - VARIOUS SIZES  
(NON-CONDUCTIVE GROMMETS)

MATERIAL: DIE-CAST ZINC ALLOY  
PLATING: NICKEL  
OPERATING TEMPERATURE: -45°C TO +120°C



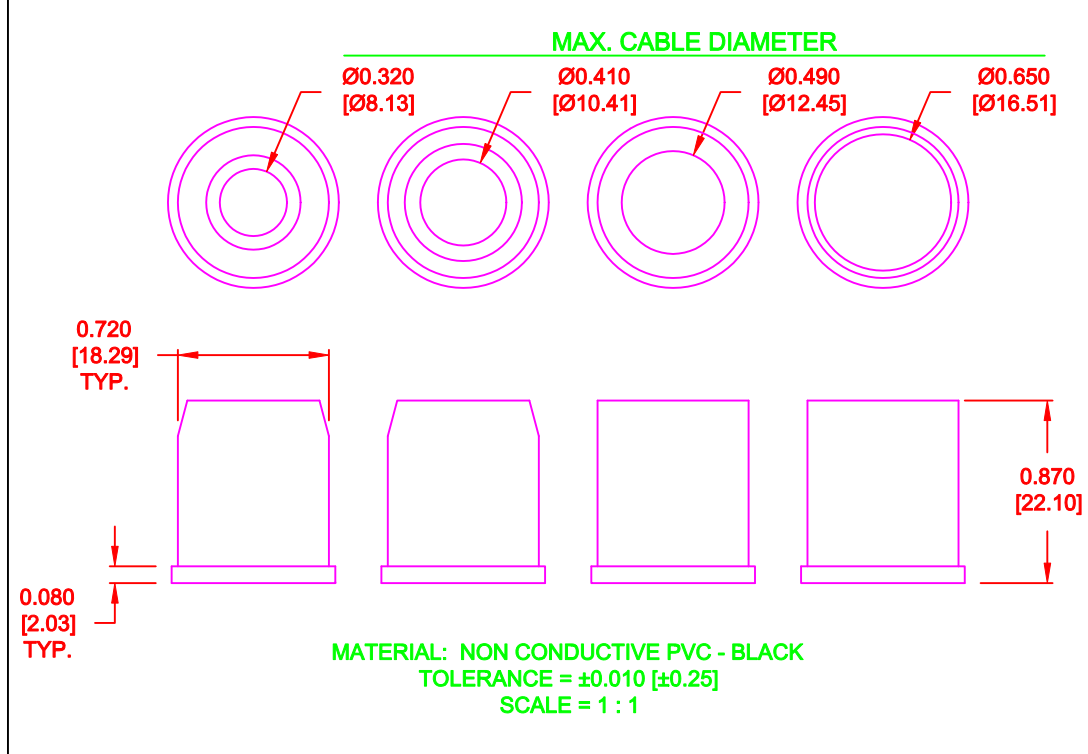
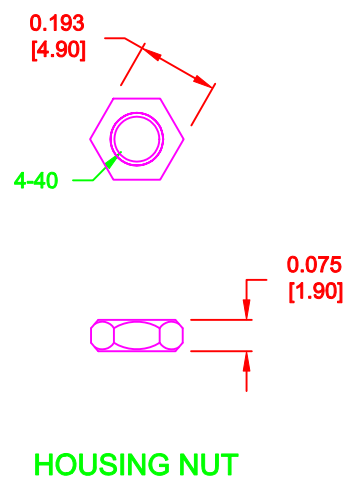
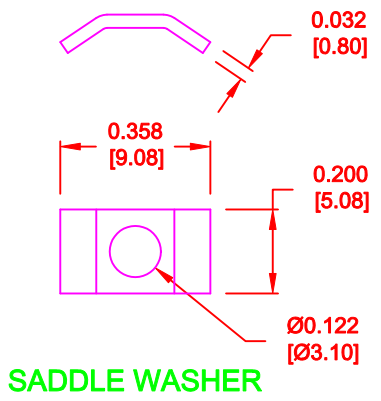
**979-050-030 R 12 1**



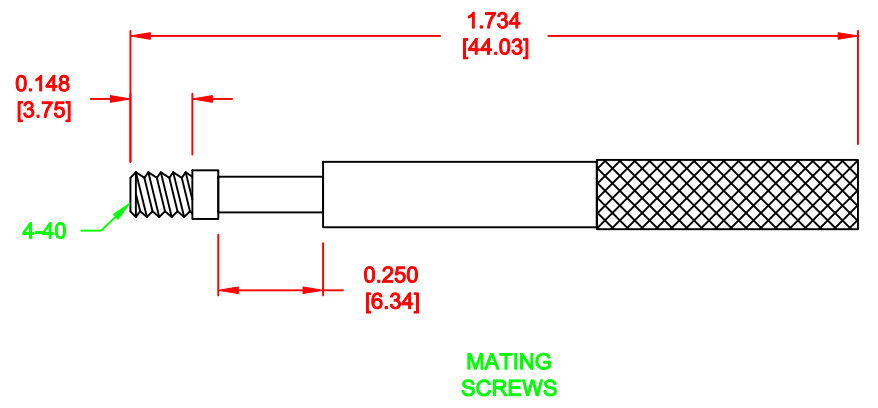
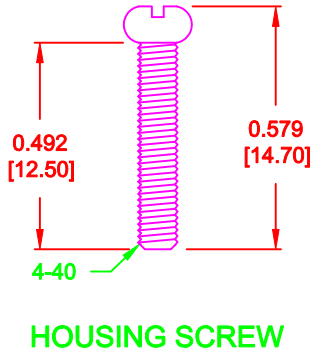
**DO NOT SCALE FROM DRAWING**

**RoHS COMPLIANT**

	THESE DRAWINGS AND SPECIFICATIONS ARE THE PROPERTY OF NorComp AND SHALL NOT BE REPRODUCED, COPIED OR USED AS THE BASIS FOR THE MANUFACTURE OF SALE OF APPARATUS WITHOUT WRITTEN PERMISSION.		DRAWN: <b>C. SMITH</b>	DATE: <b>04-20-10</b>
			CHECKED:	DATE:
<b>NorComp</b>		SCALE: <b>1 : 1</b>	SHEET <b>1</b> OF <b>2</b>	REV <b>2</b>
		DWG NO. <b>979-050-030R121</b>		



**ALL HARDWARE:**  
 MATERIAL = BRASS  
 PLATING = NICKEL  
 TOLERANCE = ±0.002 [±0.05]  
 SCALE = 2 : 1



DO NOT SCALE FROM DRAWING

RoHS COMPLIANT

	THESE DRAWINGS AND SPECIFICATIONS ARE THE PROPERTY OF NorComp AND SHALL NOT BE REPRODUCED, COPIED OR USED AS THE BASIS FOR THE MANUFACTURE OF SALE OF APPARATUS WITHOUT WRITTEN PERMISSION.		DRAWN: <b>C. SMITH</b>	DATE: <b>04-20-10</b>
				CHECKED:
<h1>NorComp</h1>		SCALE: <b>AS SHOWN</b>	SHEET <b>2</b> OF <b>2</b>	REV <b>2</b>
		DWG NO. <b>979-050-030R121</b>		