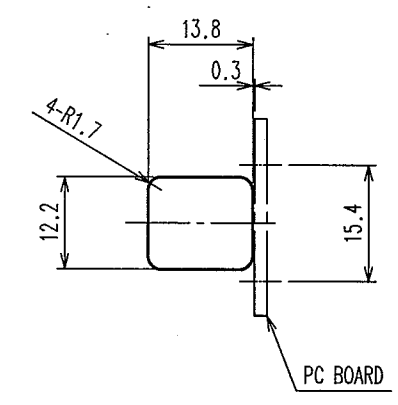
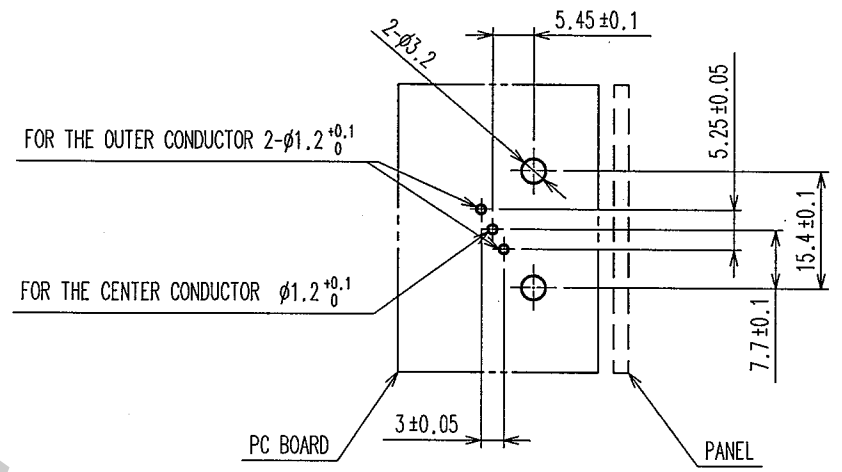
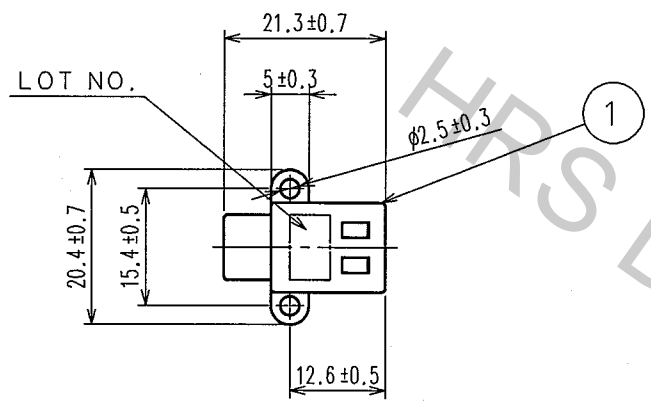


Apr.1.2017 Copyright 2017 HIROSE ELECTRIC CO., LTD. All Rights Reserved.

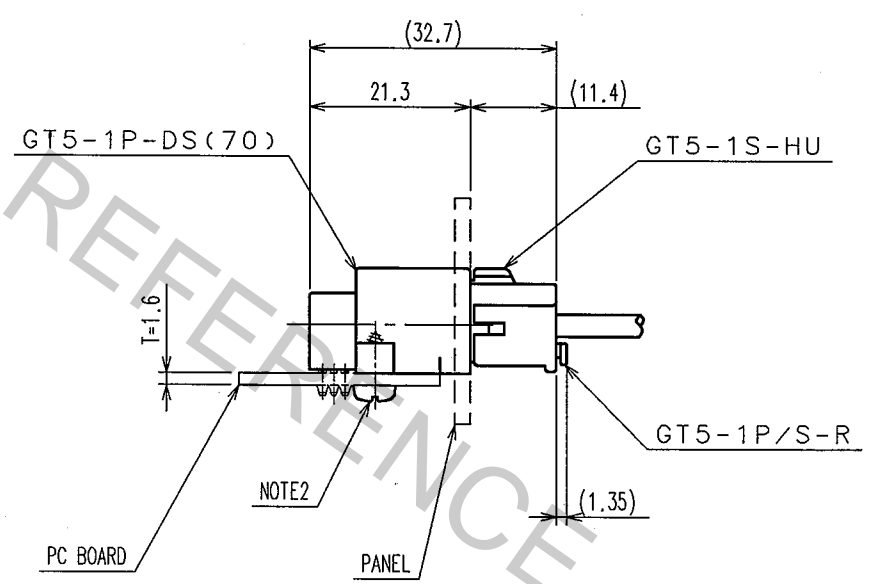
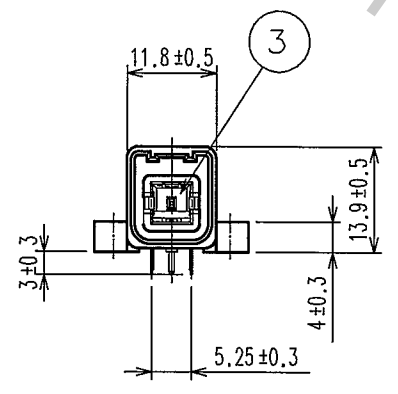
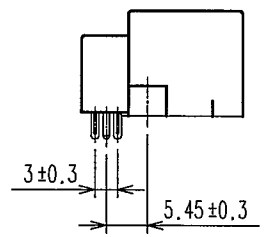
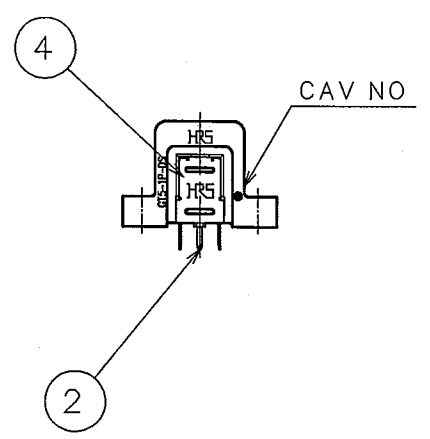
ELV. RoHS COMPLIANT

COUNT	DESCRIPTION OF REVISIONS	BY	CHKD	DATE	COUNT	DESCRIPTION OF REVISIONS	BY	CHKD	DATE



RECOMMENDED PC BOARD HOLE PATTERN

RECOMMENDED PANEL CUTOUT



MATED CONNECTORS

NOTE1. DEPENDING ON THE CIRCUMSTANCES, RECESS OF WELDING SHALL BE ADDED TO MOLD TO PREVENT SINKAGE.  
 2. FIXING SCREW SHALL BE NOMINAL DIAMETER 3mm, LENGTH 6mm IN ACCORDANCE WITH CLASS 1,2,OR 4 OF JIS B1115, 1122.

2	BRASS	TIN PLATED	4	PHOSPHOR BRONZE	TIN PLATED
1	PBT	UL94V-0, LIGHT GRAY	3	PBT	UL94V-0, DARK GRAY
NO.	MATERIAL	FINISH, REMARKS	NO.	MATERIAL	FINISH, REMARKS
CODE NO. (OLD) CL559-0112-9			DRAWN	DESIGNED	CHECKED
			M. YAMAGUCHI 07. 8.30	M. YAMAGUCHI 07. 8.30	T. KUBOTA 07. 8.30
					K. Sato 07. 8.31
DRAWING NO. EDC3-071149-01			PART NO. GT5-1P-DS(70)		
SCALE 2 : 1			CODE NO. CL755-0007-5-70		
UNITS mm			1/1		

TO  
AMC

AMC