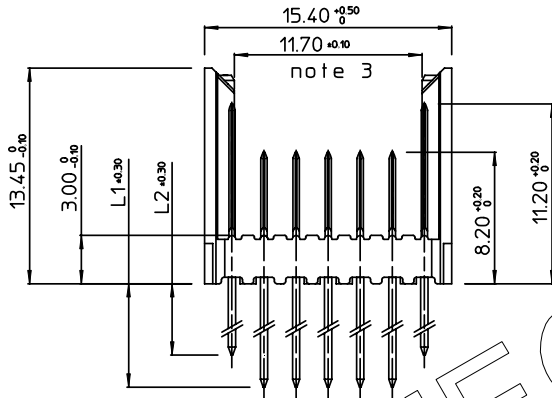
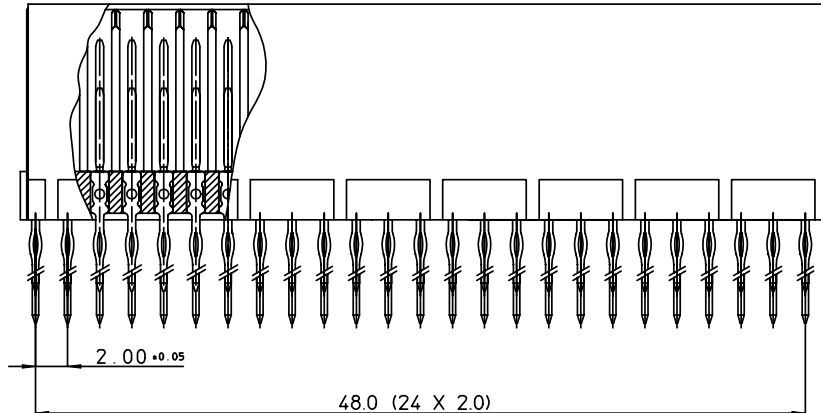


GEN. ST.	01	02	03	04	05	06	07	08	0D	50	60	70	80	90
INT. ST.	10	11	12	13	14	18	20	31	32	33	34	38	39	40

REV.	DATE	DESCRIPTION	BY	C'K'D'
A	14-09-01	CONVERSION REVISION 02	KN	
B	24-10-05	105-0196	ALEX B	BKP



**PERFORMANCE CHARACTERISTICS**

CURRENT RATING : 1.5 A AT 20°C ( FULLY LOADED )  
 1 A AT 70°C ( FULLY LOADED )

RATED VOLTAGE : 500 V AC (CONT / CONT )

OPERATING TEMPERATURE : -55°C TO 125°C

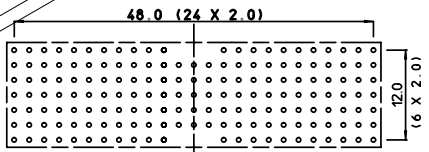
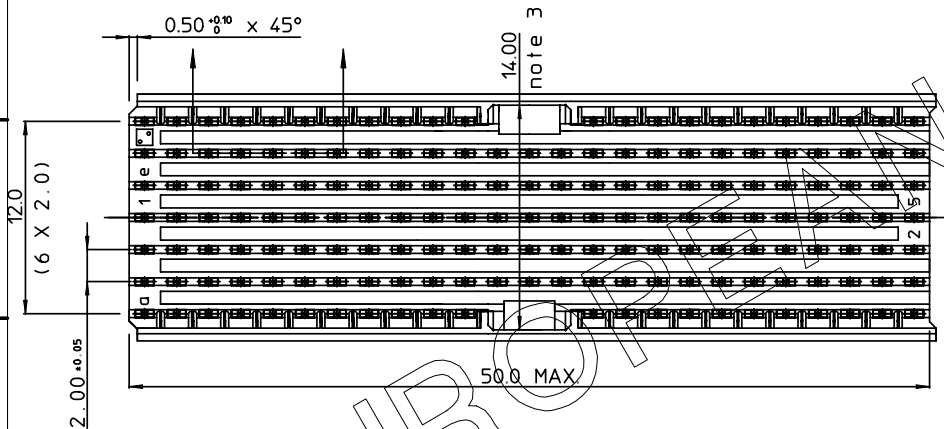
CONTACT RESISTANCE : 20 mΩ MAX

INSERTION FORCE : 0.75 N MAX / CONT

EXTRACTION FORCE : 0.15 N MIN / CONT

INSULATION RESISTANCE : 10<sup>4</sup> MΩ MIN

CAT. NR.	L1±0.3	L2±0.3	DESCRIPTION
HM2P65PD5111----	3.7	3.7	SHORT PRESS-FIT
HM2P65RC5111----	4.5	4.5	SHORT PRESS-FIT
HM2P65PK5111----	13	4.5	REAR PLUG-UP: LEVEL 1
HM2P65PM5111----	14.5	4.5	REAR PLUG-UP: LEVEL 2
HM2P65PN5111----	16	4.5	REAR PLUG-UP: LEVEL 3



LAY-OUT  
P.C.B. - HOLE

LEAD FREE INDICATOR : LF = LEAD FREE (DIGIT 15 & 16)

HM2P65P#5111

PLATING CODE (DIGIT 13 AND 14)  
(REF DWG No. BS,C ,201844,003)

**NOTES:**

1. THIS PRODUCT IS CSA APPROVED.
2. THIS PRODUCT IS UL RECOGNIZED.
3. MEASURED AT THE BOTTOM.
4. THE PRODUCT (LF) MEETS EUROPEAN UNION DIRECTIVES AND OTHER COUNTRY REGULATIONS AS DESCRIBED IN GS-22-008
5. FOR RECOMMENDED PTH DIMENSIONS REFER DRAWING : BS,A ,201572,001

**MALE SIGNAL STRAIGHT PRESS-FIT-TO-BOARD CONNECTOR**

WITH GUIDING				MILLIPACS 2 / TYPE AB (25 POS) / SHIELDED						
1DEC ±0.2	1DEC	<b>APPR.</b>	<b>DATE</b>	<b>SIGN.</b>						
2DEC ±0.1	2DEC	DRAFT	06-05-99	N.Otto						
ANGLES ±1°	HOEKEN	CHECKED								
WE RESERVE THE RIGHT TO CHANGE DIMENSIONS OR REQUIREMENTS WITHOUT PRIOR NOTICE.		PROD. MGR.								
		PR. ENG. MGR.								
		PR. MGT. MGR.								
ALL DIMENSIONS IN MM		<b>REFERENCES / REFERENTIES</b>								
ALLE AFMETINGEN IN MM		<table border="1"> <tr> <td><b>FCI</b></td> <td>FCI MECHELEN N.V.</td> <td>SCALE</td> </tr> <tr> <td></td> <td>A. SPINOYSTRAT 8, 2800 MECHELEN</td> <td></td> </tr> </table>			<b>FCI</b>	FCI MECHELEN N.V.	SCALE		A. SPINOYSTRAT 8, 2800 MECHELEN	
<b>FCI</b>	FCI MECHELEN N.V.	SCALE								
	A. SPINOYSTRAT 8, 2800 MECHELEN									

BS,C ,201632,034 B

THIS IS OUR EXCLUSIVE PROPERTY. IT IS NOT TO BE COPIED, REPRINTED OR DISCLOSED TO A THIRD PARTY, NOR USED FOR MANUFACTURING WITHOUT OUR WRITTEN CONSENT, AND HAS TO BE RETURNED TO US IN CASE OF NO USAGE

DIT IS ONZE EIGENDOM EN MAG NIET NAEMAKAAT, HERDRUKT, OVERGEMAAKT AAN DERDEN, NOCH VOOR FABRIKATIE GEBRUIKT WORDEN, ZONDER ONZE SCHRIFTELIJKE TOELATING. BIJ NIET GEBRUIK IS TERUGZENDING VERPLICHT.