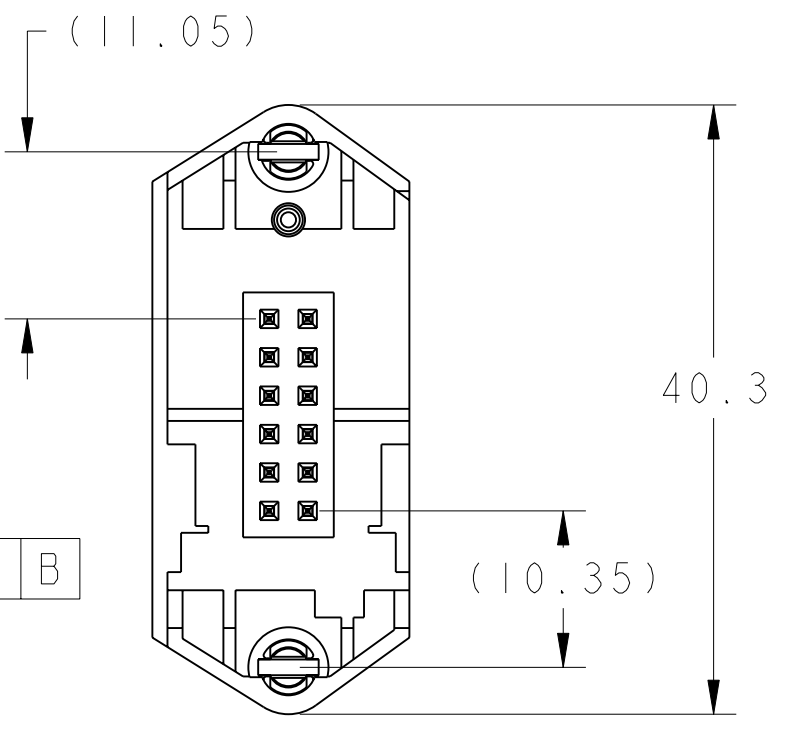
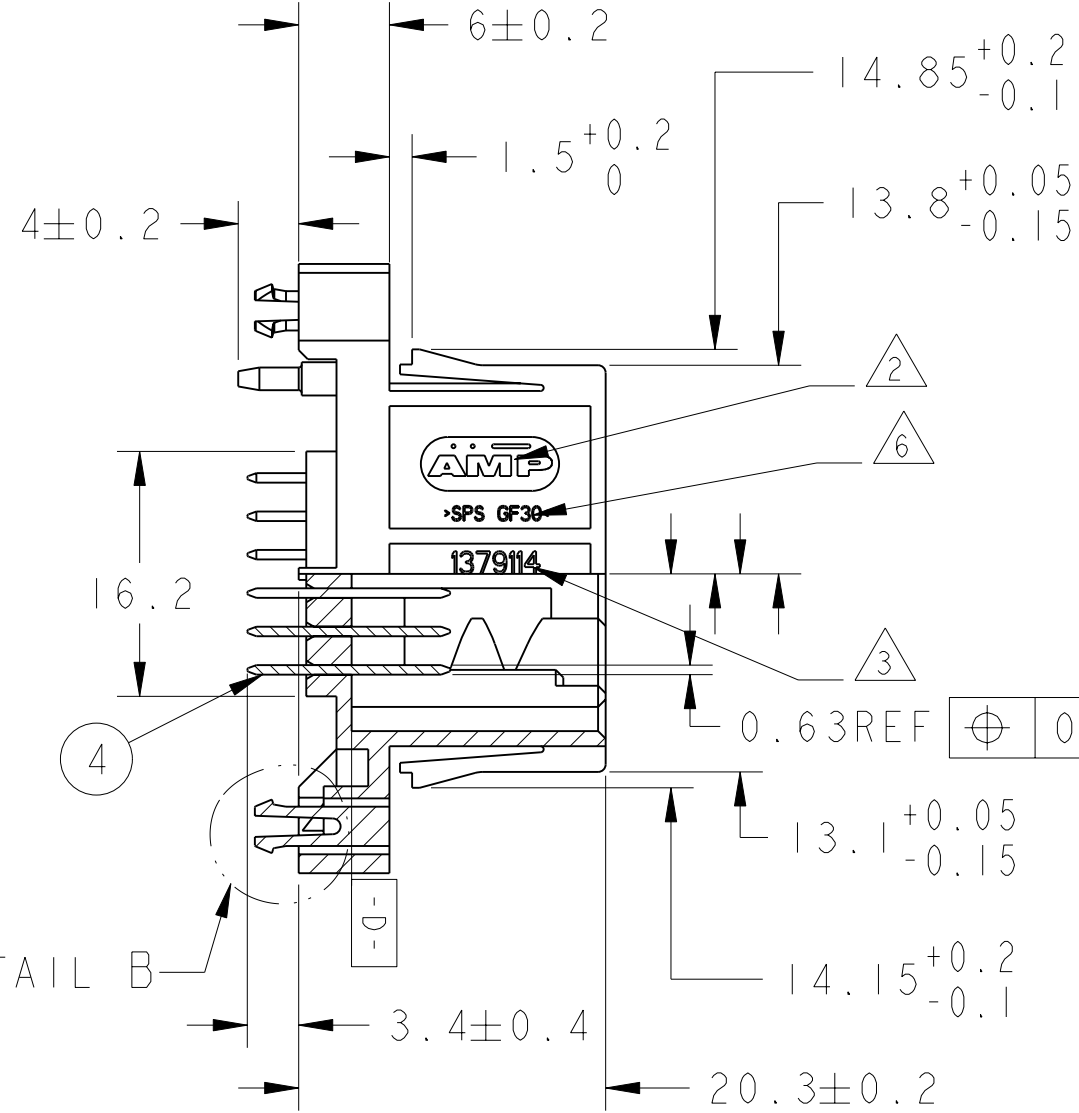
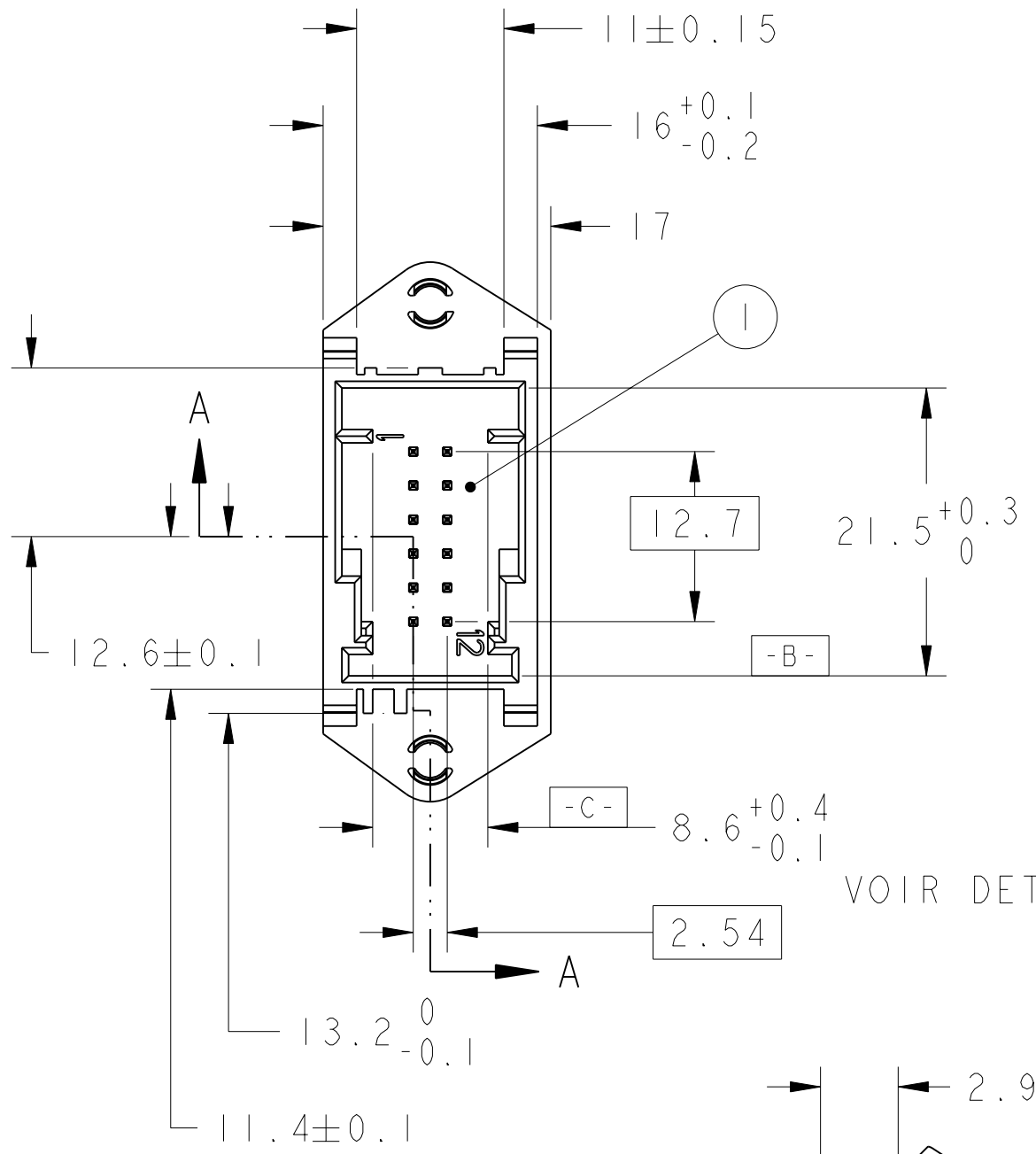
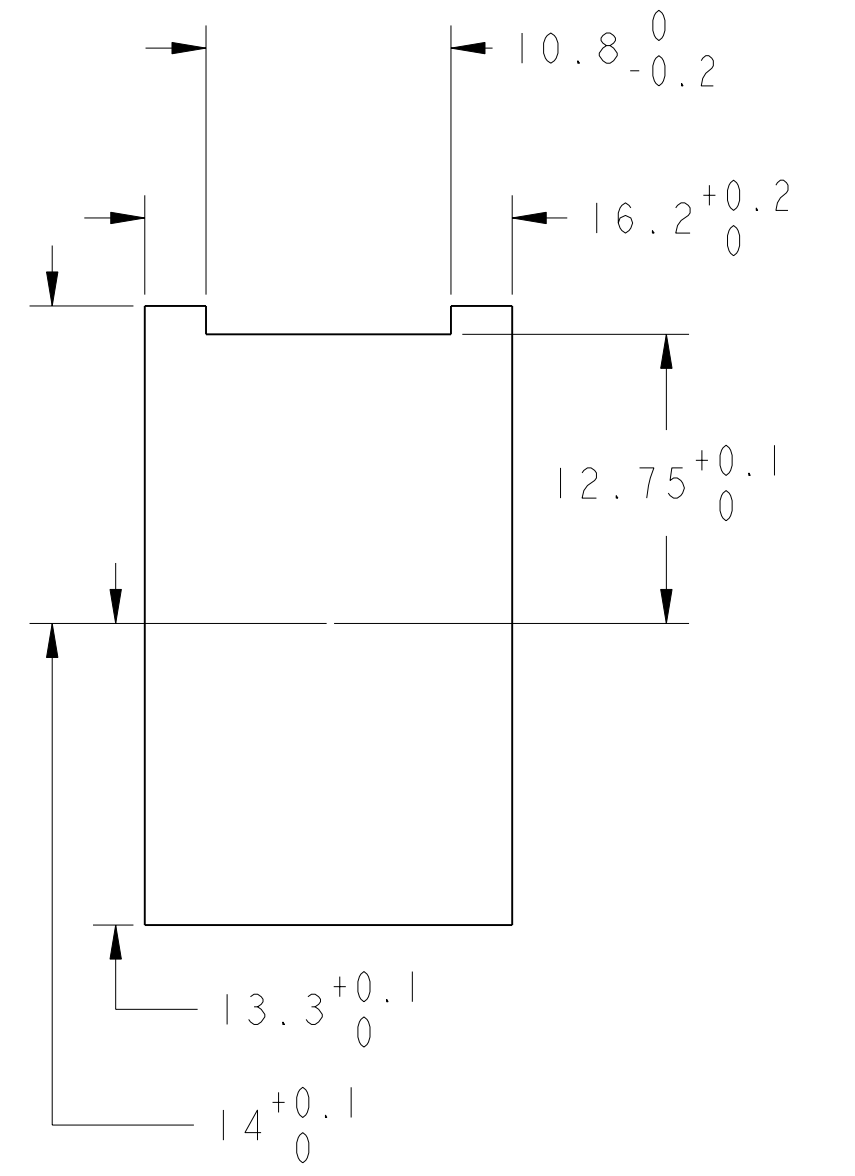


THIS DRAWING IS UNPUBLISHED. RELEASED FOR PUBLICATION  
 © COPYRIGHT 19 BY TYCO ELECTRONICS CORPORATION. ALL RIGHTS RESERVED.

LOC		DIST		REVISIONS			
P	LTR	DESCRIPTION	DATE	DWN	APVD		
F	7						
	A	ADD INFORMATION - UPDATED	03NOV2000	JL	JLQ		
	B	CHANGE SPS MATERIAL	10OCT2001	SG	JLQ		
	C	MODIFY MATERIAL TYPE IN TABLE	27FEB2009	SG	JL		

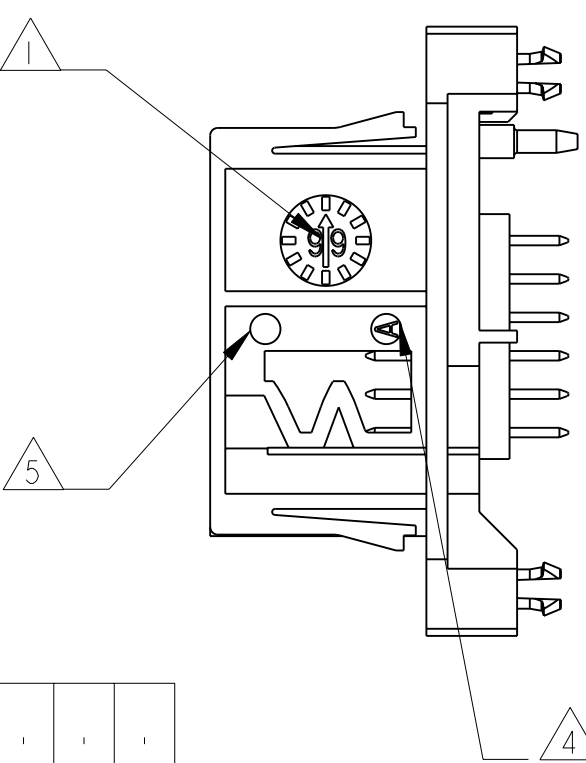
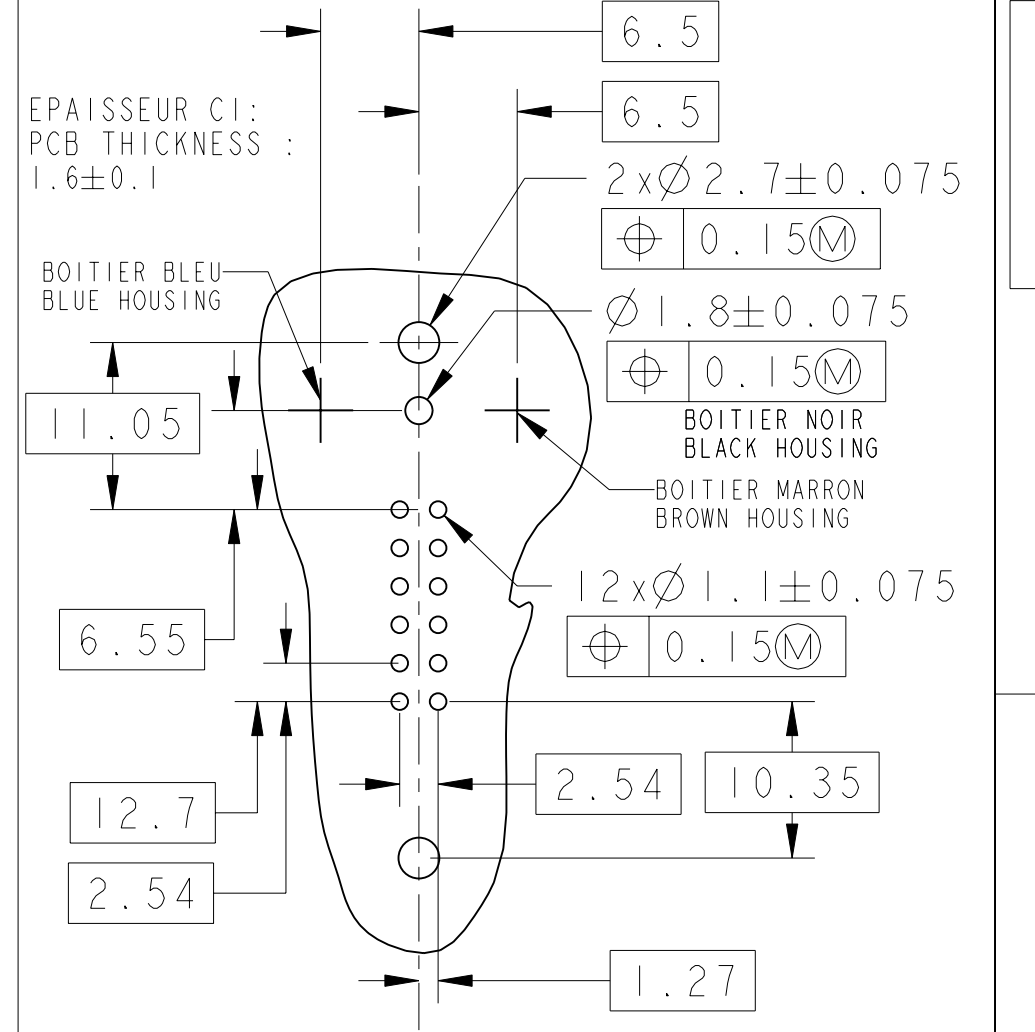
RECOMMANDATION DECOUPE PANNEAU  
 RECOMMENDED PANEL CUTOUT

VUE DE DESSUS / VIEW FROM TOP

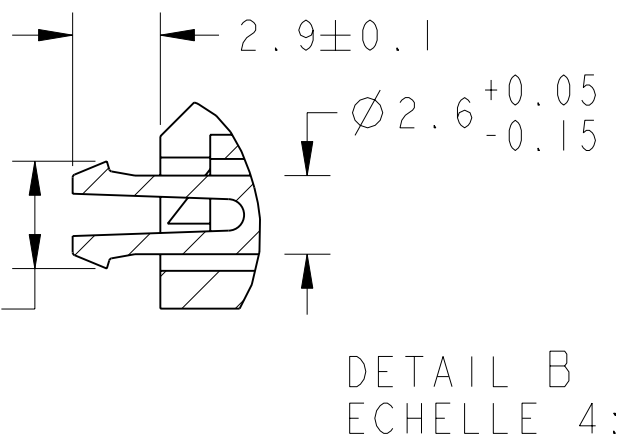


RECOMMANDATION IMPLANTATION CI  
 RECOMMENDED PCB DETAILS

VUE DE DESSUS / VIEW FROM TOP



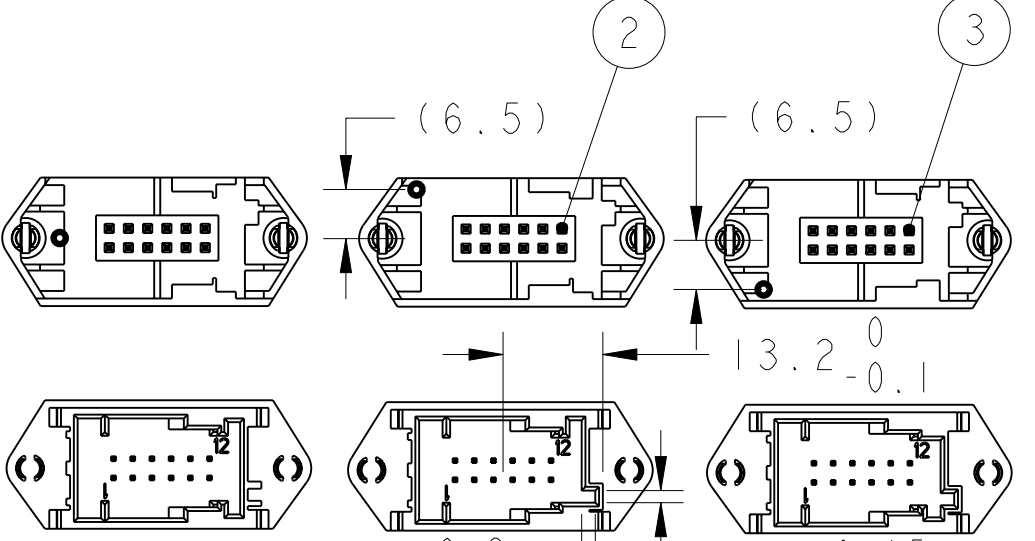
- 1 DATE CODE
- 2 LOGO D'AMP
- 3 REFERENCE DU PRODUIT ASSEMBLE
- 4 REVISION DU MOULE
- 5 N° D'EMPREINTE DU MOULE
- 6 MARQUAGE NON CONTRACTUEL
- 7 CONTRE PARTIE :  
CONNECTEURS REF 185341 ET 185343



DETAIL B  
 ECHELLE 4:1

DETROMPAGES / CODINGS

1379114-1 NOIR / BLACK  
 1379114-2 BLEU / BLUE  
 1379114-3 MARRON / BROW



ECHELLE 1:1

- 1 DATE CODE
- 2 AMP LOGO
- 3 ASSY PART NUMBER
- 4 REVISION STATUS
- 5 CAVITY MARKING
- 6 NO CONTRACTUAL MARKING
- 7 MATING PART :  
CONNECTORS PN 185341 AND 185343

REV	REF / ASSY PN	QTY	MATERIAL	DESIGNATION / NAME	COULEUR / COLOR	REP.
-	1379114-1	12	CuSn6	CONTACT MQS 0.63x0.63	MARRON / BROWN	4
-	1379114-2	1	SPS GF20	BOITIER / HOUSING	BLEU / BLUE	3
-	1379114-3	1	SPS GF20	BOITIER / HOUSING	NOIR / BLACK	2
-		1	SPS GF20	BOITIER / HOUSING	NOIR / BLACK	1
	QTY		MATERIAL	DESIGNATION / NAME	COULEUR / COLOR	REP.

THIS DRAWING IS A CONTROLLED DOCUMENT FOR TYCO ELECTRONICS CORPORATION  
 IT IS SUBJECT TO CHANGE AND THE CONTROLLING ENGINEERING ORGANIZATION  
 SHOULD BE CONTACTED FOR THE LATEST REVISION.

DWN: J. DREUX 25APR2000  
 CHK: J. LAQUEBE 25APR2000  
 APVD: J.J. REVIL 25APR2000

AMP DE FRANCE  
 95301 PONTOISE

NAME: EMBASE 12V MQS AVEC/SANS BOARD-LOCKS  
 12W MQS HEADER WITH/WHITOUT BOARD-LOCKS

APPLICATION SPEC: 108-15180

SIZE: A2 CAGE CODE: 00779 DRAWING NO: 1379114

WEIGHT: 3.7 g

CUSTOMER DRAWING/PLAN CLIENT

SCALE: 2:1 SHEET 1 OF 1 REV C