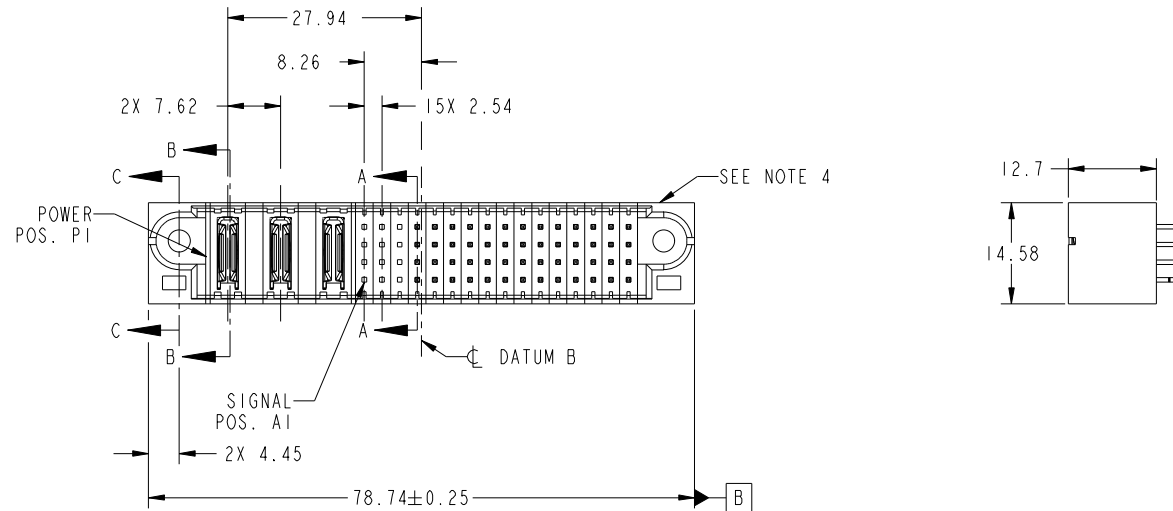


Tous droits strictement réservés. Reproduction ou communication a des tiers interdite sous quelque forme que ce soit sans autorisation écrite du propriétaire. Propriete de c FCI. Droits de reproduction FCI.



All rights strictly reserved. Reproduction or issue to third parties in any form whatever is not permitted without written authority from the proprietor. Property of FCI. Copyright FCI.

PRODUCT NO.	ROWS	POWER			SIGNAL												E2							
		E1	P1	P2	P3	1	2	3	4	5	6	7	8	9	10	11		12	13	14	15	16		
51952-164-- NOTE ③	D C B A					X	X	X	E	E	E	E	E	E	E	E	E	E	E	E	E	E		
						X	X	X	E	E	E	E	E	E	E	E	E	E	E	E	E	E	E	
						X	X	X	E	E	E	E	E	E	E	E	E	E	E	E	E	E	E	



CODE	DIM "M" MATING LENGTH	CONTACT TYPE
PA	[N/A]	POWER
E	[6.86]	SIGNAL
HA	[N/A]	HOLD-DOWN
X	OMITTED	

mat'l code				tolerances unless otherwise specified		CUSTOMER		FCI	
ltr	ecn no.	dr	date	linear	0.X ±0.5	COPY		www.fciconnect.com	
A	DG10-0025	WD	01/14/10	angles	0.XX ±0.25	projection		title	
					0.XXX ±0.1	MIM		3ACP + 64S	
				dr	0° ±2°	scale		VERTICAL SOLDER HEADER	
				enr	Warren Du 01/08/10	1:1		product family	
				chr	Warren Du 01/08/10			PwrBlade	
				appd	PM ZHENG 01/08/10			code	
					JOSEPH HSIA 01/08/10			213	
sheet index	revision sheet	A	A	A	A			size	
1	2	3	4					dwg no	
								A	
								51952-164	
								sheet	
								1 of 4	
								cage code	
								22526	

Pro/E

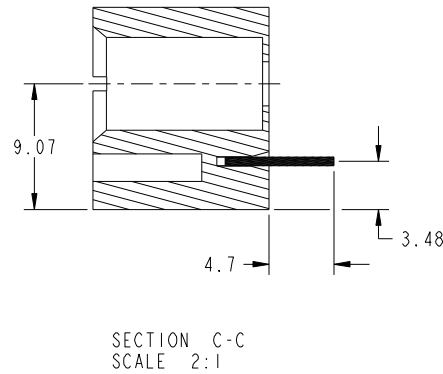
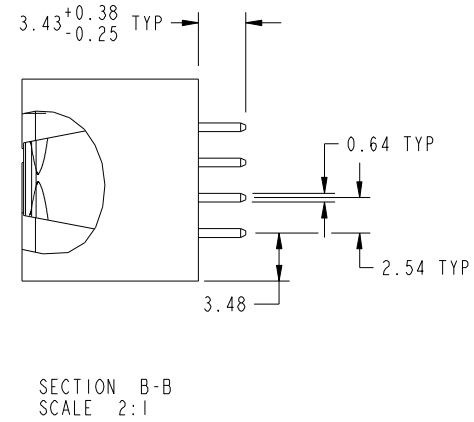
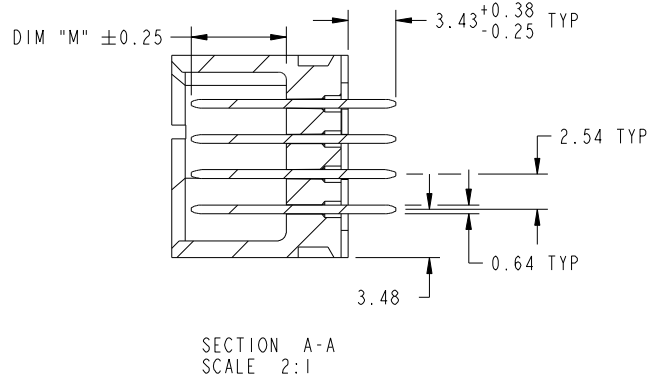
cage code 22526

Tous droits strictement reserves. Reproduction ou communication a des tiers interdite sous quelque forme que ce soit sans autorisation écrite du propriétaire. Propriete de c FCI. Droits de reproduction FCI.

All rights strictly reserved. Reproduction or issue to third parties in any form whatever is not permitted without written authority from the proprietor. Property of FCI. Copyright FCI.



PRODUCT NUMBER
51952-164__
NOTE 3



mat'l code				tolerances unless otherwise specified		CUSTOMER		FCI	
ltr	ecn no.	dr	date	linear	0.X ±0.5	COPY		www.fciconnect.com	
A					0.XX ±0.25	projection		title	
				angles	0.XXX ±0.1			3ACP + 64S VERTICAL SOLDER HEADER	
				dr	Warren Du 01/08/10	MIM		product family PwrBlade code	
				enr	Warren Du 01/08/10			size 213	
				chr	PM ZHENG 01/08/10	scale		dwg no 51952-164 sheet	
				appd	JOSEPH HSIA 01/08/10	1:1		2 of 4	
sheet index		revision sheet							

cage code 22526

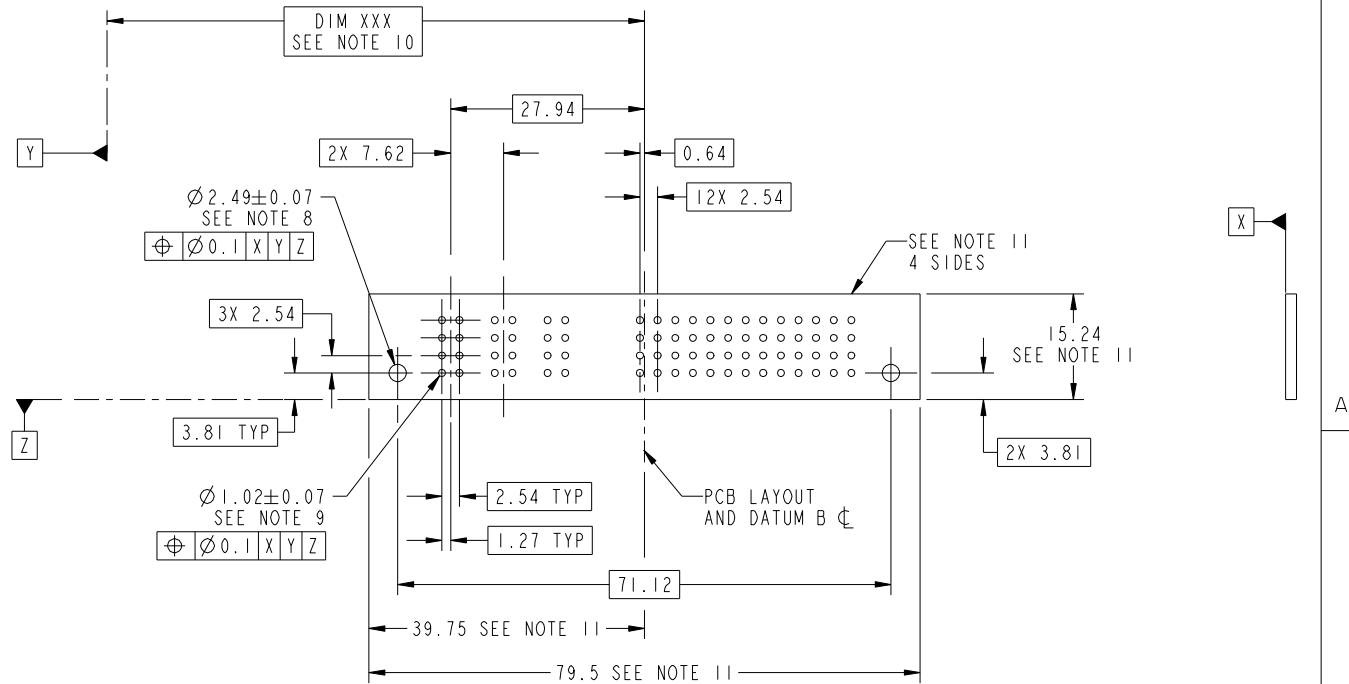
Pro/E

Tous droits strictement reserves. Reproduction ou communication a des tiers interdite sous quelque forme que ce soit sans autorisation écrite du propriétaire. Propriete de c FCI. Droits de reproduction FCI.



All rights strictly reserved. Reproduction or issue to third parties in any form whatever is not permitted without written authority from the proprietor. Property of FCI. Copyright FCI.

PRODUCT NUMBER
51952-164__
NOTE 3



RECOMMENDED PCB LAYOUT

mat'l code				tolerances unless otherwise specified		CUSTOMER		FCI		www.fciconnect.com		
ltr	ecn no.	dr	date	linear	0.X ± 0.5	COPY				title		
A				angles	0.XX ± 0.25	projection				3ACP + 64S		code
				dr	0.XXX ± 0.1	MIM				VERTICAL SOLDER HEADER		
				enr	0° ± 2°	scale		product family		PwrBlade	213	
				chr	Warren Du 01/08/10	1:1		size		dwg no	213	
				appd	Warren Du 01/08/10			A		51952-164	sheet	
					PM ZHENG 01/08/10						3 of 4	
					JOSEPH HSIA 01/08/10							
sheet index	revision sheet											

Pro/E

cage code 22526

Tous droits strictement reserves. Reproduction ou communication a des tiers interdite sous quelque forme que ce soit sans autorisation écrite du propriétaire. Propriete de c FCI. Droits de reproduction FCI.



All rights strictly reserved. Reproduction or issue to third parties in any form whatever is not permitted without written authority from the proprietor. Property of FCI. Copyright FCI.

PRODUCT NUMBER
51952-164--
NOTE 3

NOTES:

1. DIMENSIONS AND TOLERANCES ARE IN ACCORDANCE WITH ASME Y14.5M, 1994 UNLESS OTHERWISE SPECIFIED.

CONNECTOR NOTES:

- 2 HOUSING MATERIAL: UL 94 V-0 GLASS FILLED HIGH-TEMP THERMOPLASTIC
POWER CONTACT MATERIAL: COPPER ALLOY
SIGNAL PIN MATERIAL: COPPER ALLOY
- 3. SEE ITEM 1 & 2 IN PRINT 10064183 FOR PLATING SPEC OF 51952-164 AND 51952-164LF RESPECTIVELY.
- 4 MANUFACTURER'S NAME, DATE CODE AND OPTIONAL P/N TO APPEAR ON THIS SURFACE. THE P/N CAN BE OMITTED IF THERE IS NOT ENOUGH SPACE ON THIS SURFACE.
- 5. PRODUCT SPECIFICATION GS-12-149.
APPLICATION SPECIFICATION BUS-20-067.
- 6. PACKAGED IN TRAYS.

PCB NOTES:

- 7. ALL HOLE DIAMETERS ARE FINISHED HOLE SIZE.
- 8. MOUNTING HOLES, WHERE APPLICABLE, ARE UNPLATED.
- 9 $\varnothing 1.151 \pm 0.025$ DRILLED HOLES PLATED WITH 0.008 MIN SnPb OR Sn OVER .001 [0.03] TO 0.08 Cu PLATING TO ACHIEVE $\varnothing 1.02 \pm .07$ HOLE.
- 10 "DIM XXX" TO BE DETERMINED BY THE CUSTOMER.
- 11 CONNECTOR KEEP-OUT ZONE.

mat'l code				tolerances unless otherwise specified		CUSTOMER		FCI	
ltr	ecr no.	dr	date	linear	0.X ± 0.5	COPY		www.fciconnect.com	
A				projection	0.XX ± 0.25	title		3ACP + 64S	
				angles	0.XXX ± 0.1	VERTICAL SOLDER HEADER			
				dr	0° ± 2°	product family		PwrBlade	code
				enr	Warren Du 01/08/10	size		dwg no	213
				chr	Warren Du 01/08/10	scale		51952-164	sheet
				appd	PM ZHENG 01/08/10	1:1		4 of 4	
					JOSEPH HSIA 01/08/10	A			
sheet index	revision sheet								

cage code 22526

Pro/E