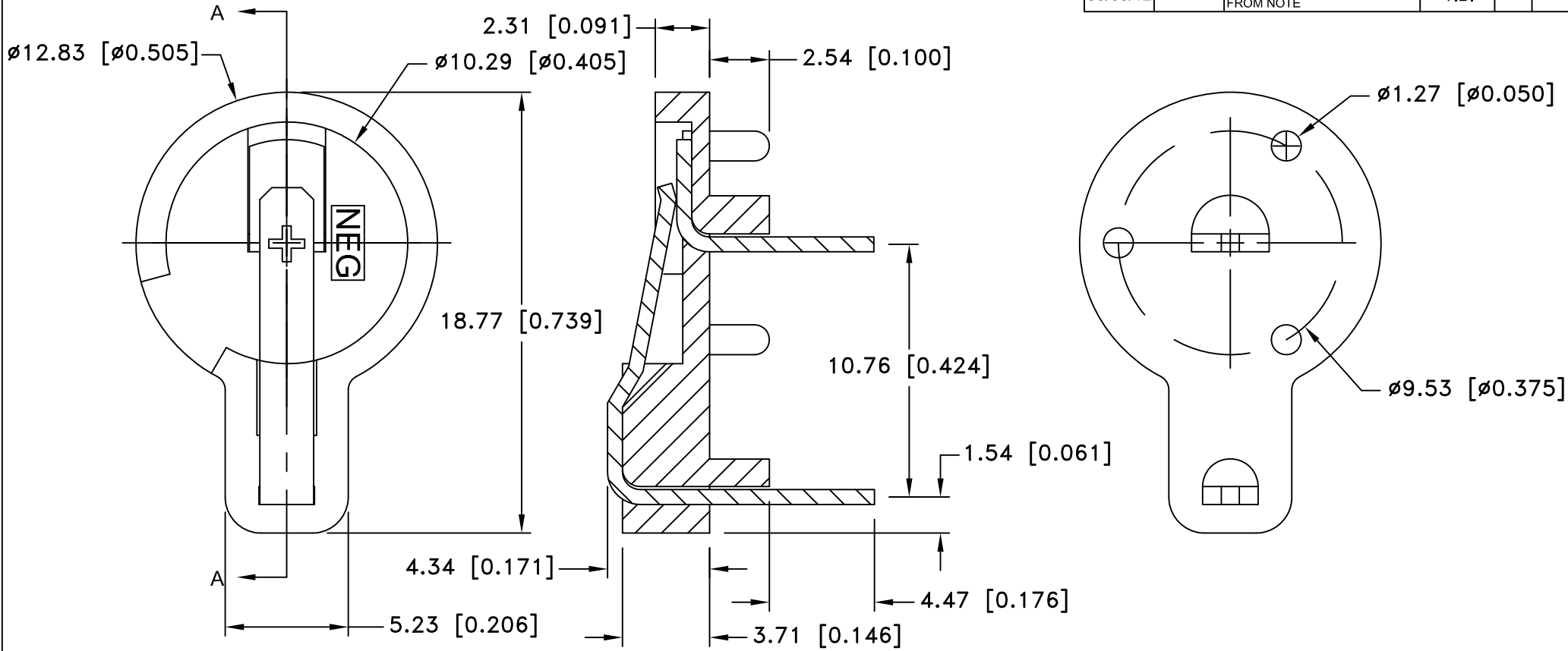


PCB LAYOUT


Date	SYM	REVISION RECORD	AUTH	DR.	CK.
05/03/03	A	ALL DIM. CHANGED TO 3 DECIMAL POINT CONTACTS MTL. CHANGED TO PHOSPHOR BRONZE	T.B.	B.S.	
1/07/06	B	ADDED "ROHS COMPLIANT"	T.B.	B.S.	
2/25/06	C	LEAD FREE WAS Sn-Pb PLTD.	T.B.	B.S.	
03/09/12	D	REMOVED SOLDER TAILS FROM NOTE	T.B.	B.S.	



NOTES:

MATERIAL:

- HOLDER: PBT POLYESTER, BLACK, UL94V-0
- POS. CONT.: PHOSPHOR BRONZE, SPRING TEMPER, NICKEL PLATED.
- NEG. CONT.: PHOSPHOR BRONZE, SPRING TEMPER, NICKEL PLATED
- ROHS COMPLIANT

Tolerance (Except as noted)	 Memory Protection Devices, Inc 200 Broad Hollow Road, Farmingdale, New York 11735	Scale	Drawn By B.S.
			Approved By T.B.
decimal ±.5 (.020)	Title COIN CELL HOLDER		
Fractional ± .8 (.030)		Date 03/09/12	Drawing Number BH401
Angular ± 3°			