

H G F E D C B A

4

3

2

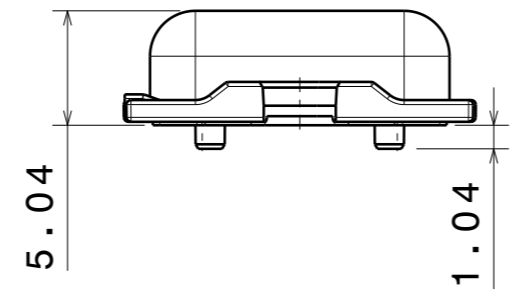
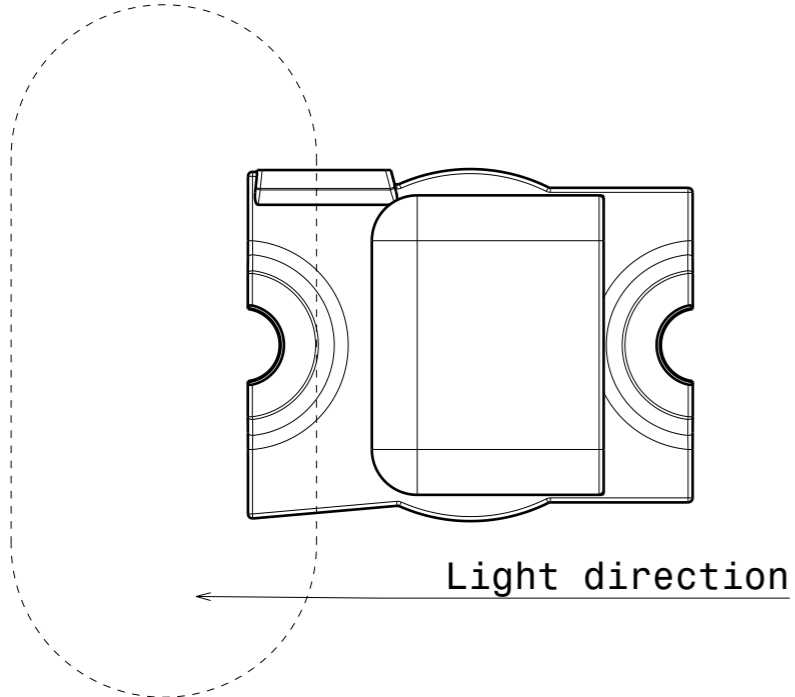
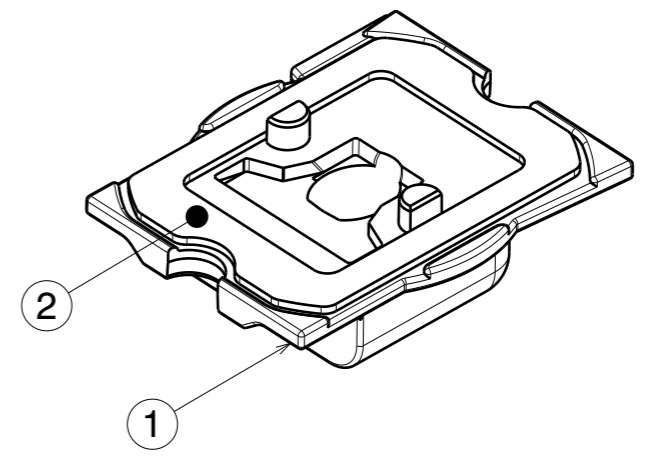
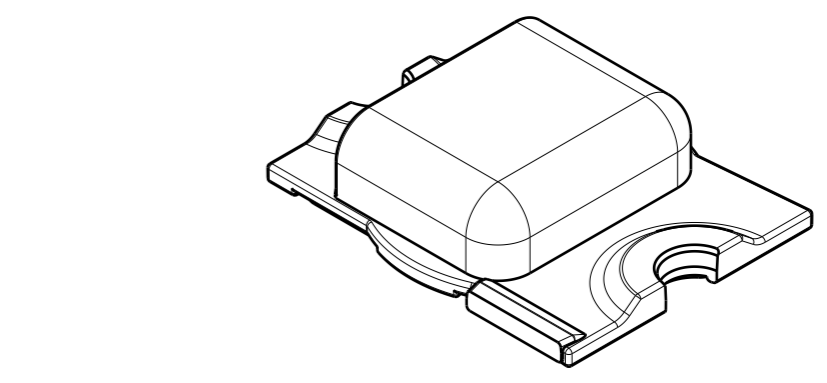
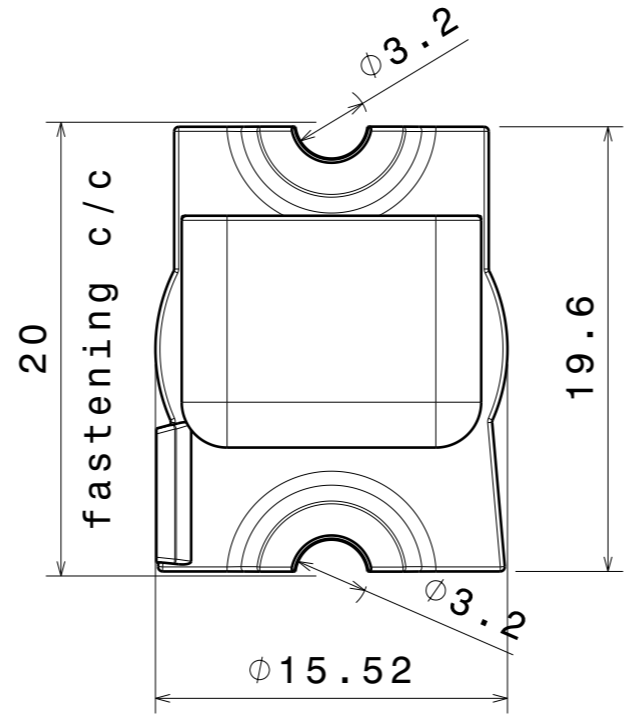
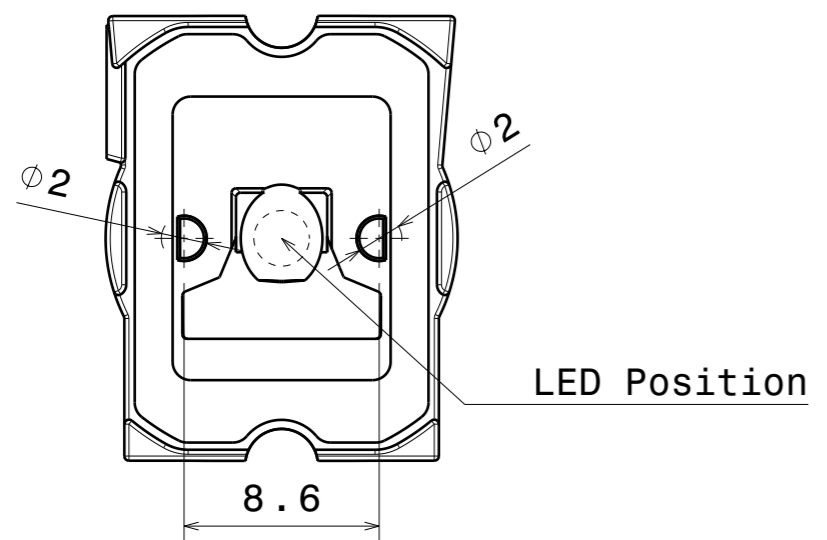
1

4

3

2

1



INDEX	PART NO	DESCRIPTION	MATERIAL	COLOUR
1	C15148	STRADA-ME	PMMA	
2	C10775	VOSU-WU-M-365-TAPE	adhesive foam tape	

Tolerances if not otherwise shown  
 According to DIN ISO 2768-1  
 Linear measures:  
 Up to 30mm class M, otherwise class C.  
 According to DIN ISO 2768-2  
 Form and position: class L

**LEDiL** LediL Oy  
 Salorankatu 10  
 FIN 24240 SALO  
 Finland

THIRD ANGLE PROJECTION:

DRAWING TITLE  
**CA15150\_STRADA-ME\_MechanicalDrawing**

This drawing is the property of LEDiL Oy. It may not be reproduced, copied or communicated without a written agreement with LEDiL Oy.

SIZE	PART NUMBER
<b>A3</b>	<b>CA15150</b>

SCALE	3:1	WEIGHT	0,720 g	SHEET	1/1
-------	-----	--------	---------	-------	-----

H G B A