

4

3

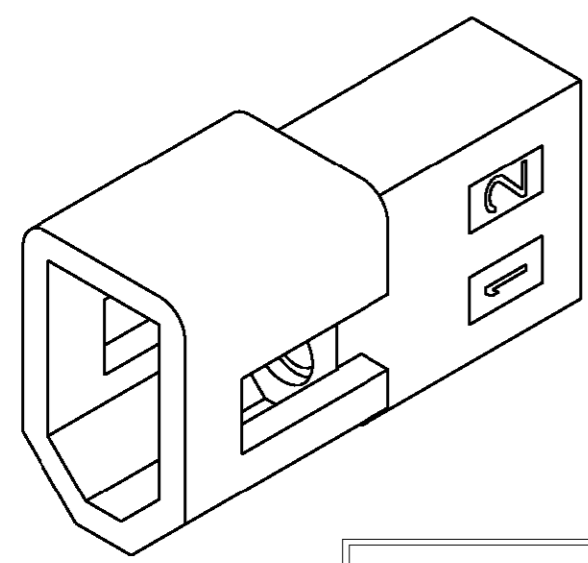
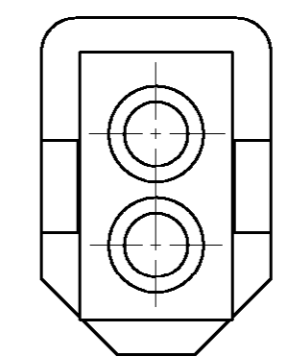
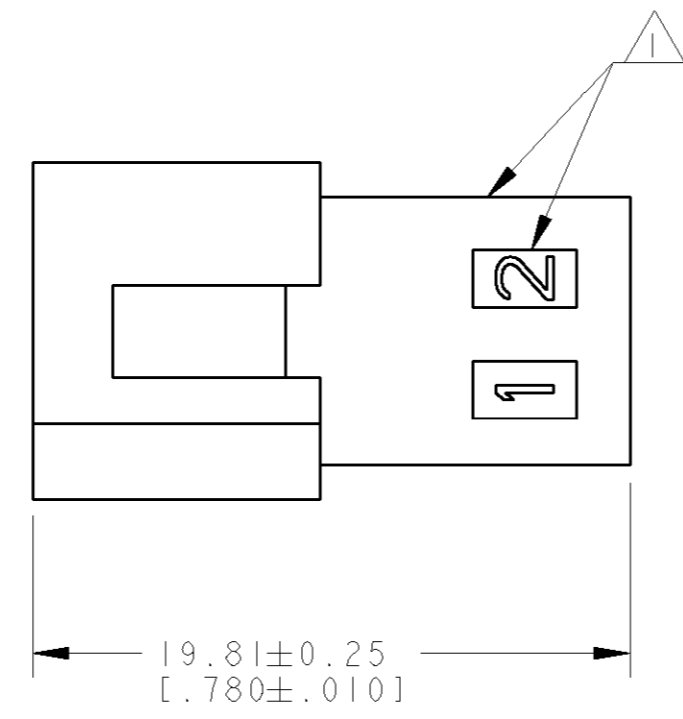
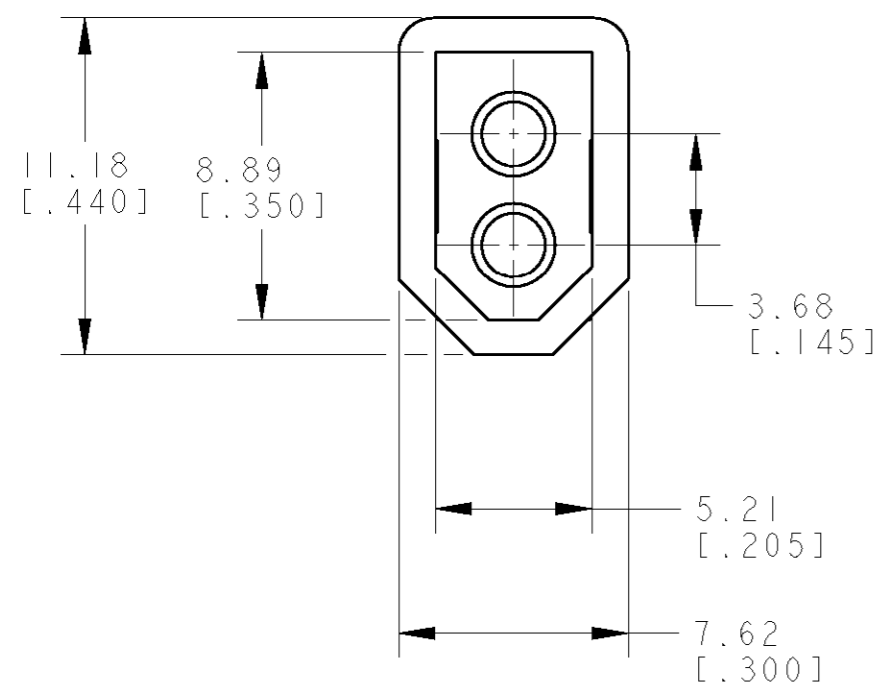
2

1

THIS DRAWING IS UNPUBLISHED. RELEASED FOR PUBLICATION 20  
 © COPYRIGHT 20 BY TYCO ELECTRONICS CORPORATION. ALL RIGHTS RESERVED.

LOC	DIST	REVISIONS			
P	LTR	DESCRIPTION	DATE	DWN	APVD
CM	00	0	RELEASED PER 0G3B-0254-04	09-JUN-04	SH DC

△ AMP LOGO AND CAVITY NUMBER LOCATED ON EITHER SURFACE.



**METRIC**

1586129-1  
PART NUMBER

<small>THIS DRAWING IS A CONTROLLED DOCUMENT FOR TYCO ELECTRONICS CORPORATION IT IS SUBJECT TO CHANGE AND THE CONTROLLING ENGINEERING ORGANIZATION SHOULD BE CONTACTED FOR THE LATEST REVISION.</small>		DWN 23DEC2003 K. WHITAKER CHK 23DEC2003 D. COLEY APVD 23DEC2003 D. COLEY		<b>tyco</b> <i>Electronics</i> Tyco Electronics Harrisburg, PA 17105-3608	
DIMENSIONS: mm [INCHES]		TOLERANCES UNLESS OTHERWISE SPECIFIED: 0 PLC ±- 1 PLC ±- 2 PLC ±0.13 [.005] 3 PLC ±- 4 PLC ±- ANGLES ±0° 30'		NAME PLUG, 2 CIRCUIT, .062 PIN AND SOCKET	
MATERIAL NYLON, UL94V-2, BLACK		FINISH -		PRODUCT SPEC - APPLICATION SPEC - WEIGHT -	
		CUSTOMER DRAWING		SIZE A3 CAGE CODE 00779 DRAWING NO C-1586129 RESTRICTED TO -	
		SCALE 4:1		SHEET 1 OF 1 REV 0	