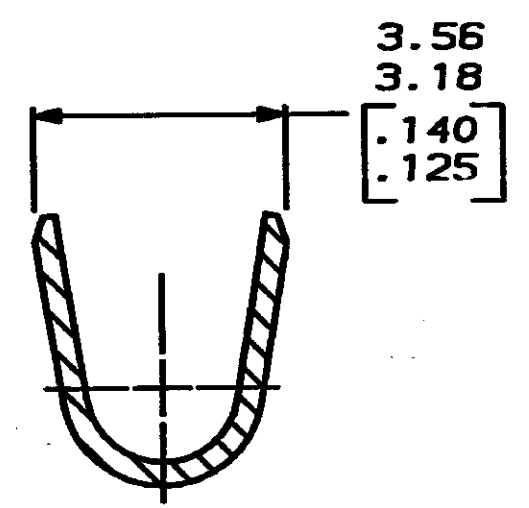
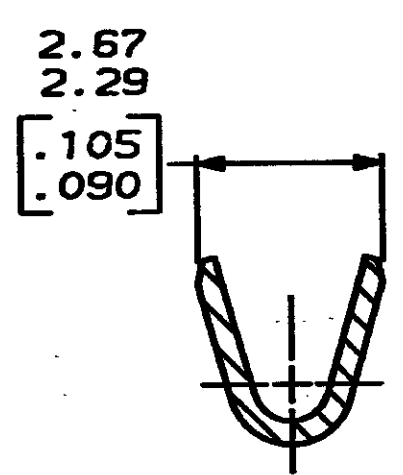
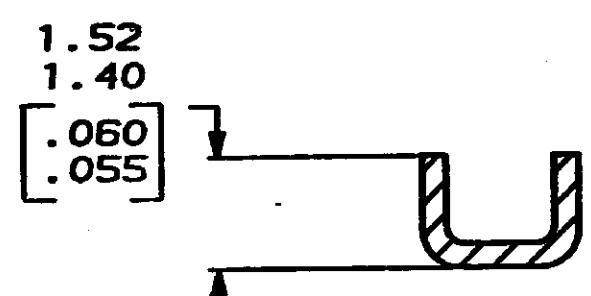
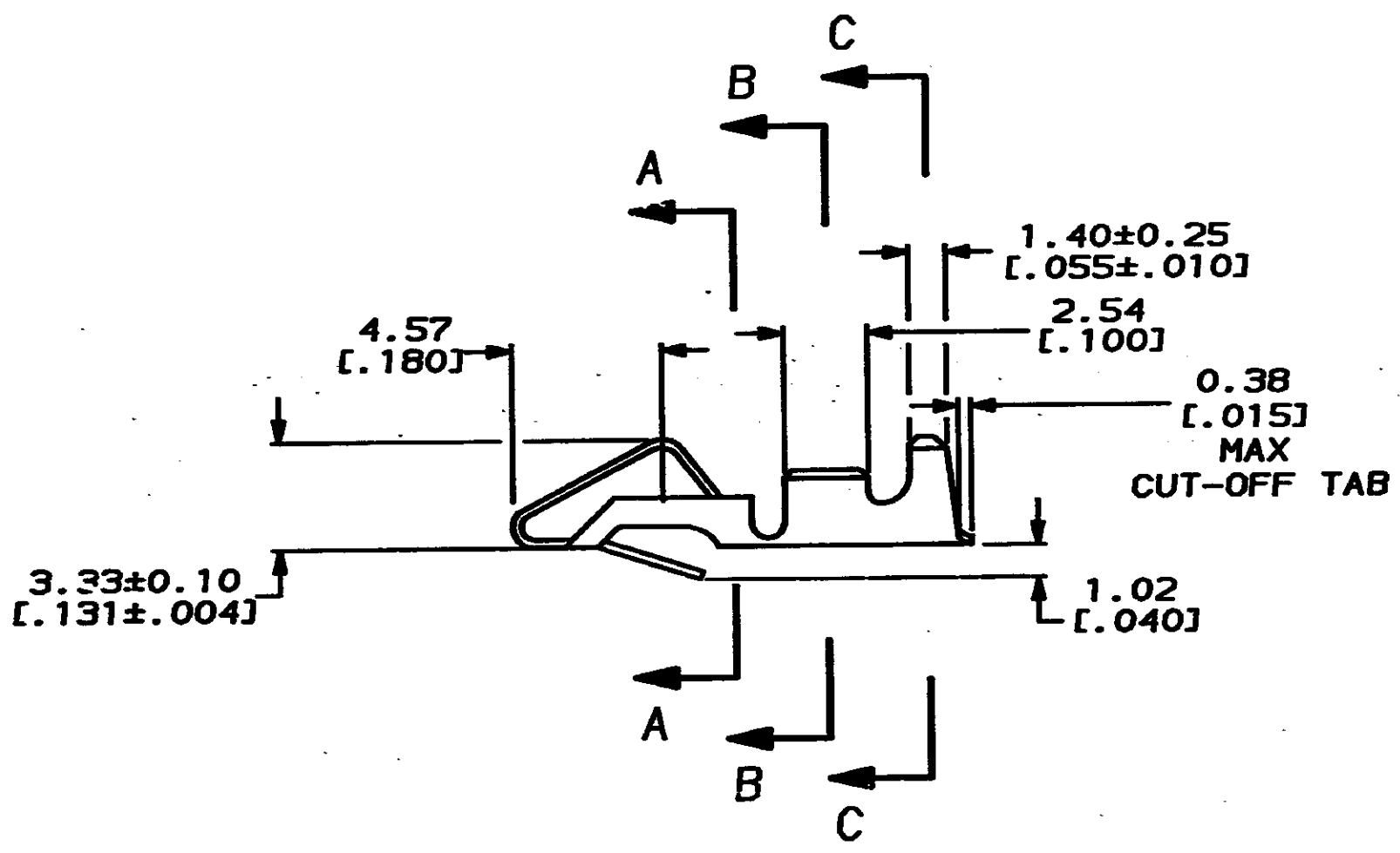
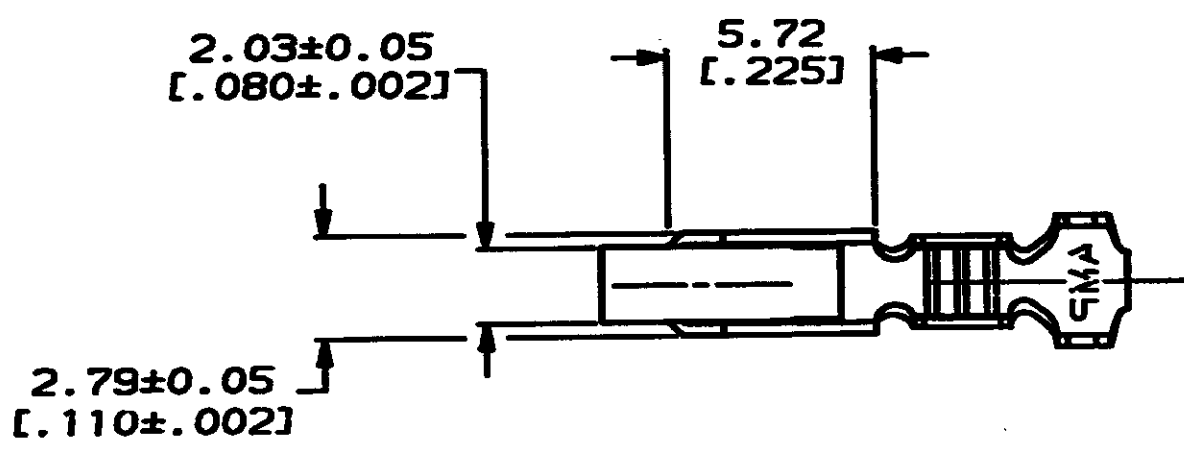


LOC		DIST		ZONE		LTR		REVISIONS		DATE	APPD
CM	54							B	REV & REDRAWN PER ECN CM-3984	11-4-92	RS

- 0.00013 [.000005] GOLD OVER 0.00127 [.000050] MIN NICKEL ALL OVER AND 0.00076 [.000030] MIN GOLD ON CONTACT AREA.
- WIRE RANGE: 0.2-0.9mm² (24-18 AWG).
INSULATION RANGE: 2.79 [.110] DIA MAX.
- DIMENSIONS IN BRACKETS ARE IN INCHES.



△	770258-1
FINISH	PART NO

DO NOT SCALE PRINT. UNLESS SPECIFIED DIMENSIONS IN mm [INCHES] TOLERANCES ON: 2 PLC DEC ± 0.13 [.005] 3 PLC DEC ± - ANGLES ± - MATERIAL 0.33 [.013] BRASS FINISH SEE TABLE	DR 11-2-92 K. SALMON	AMP AMP Incorporated Harrisburg, PA 17105-3608 NAME RECEPTACLE, SL-156, LOOSE PIECE SIZE C CAGE CODE 00779 DRAWING NO C-770258 SCALE 5:1 SHEET 1 OF 1
	CHK 11-2-92 R. SWING	
	APPD 11-20-92 E. BEILES	
	APPD - PRODUCT SPEC - APPLICATION SPEC - WEIGHT -	

METRIC

THIS DRAWING IS A CONTROLLED DOCUMENT FOR AMP INCORPORATED. IT IS SUBJECT TO CHANGE AND THE CONTROLLING ENGINEERING ORGANIZATION SHOULD BE CONTACTED FOR THE LATEST REVISION.

CUSTOMER DRAWING

AMP BUSINESS GROUP 3325 177-34 'K1H SALMON'