

EM3503 Series
EuroMag Terminal Blocks
 3.81 Centers; Modular

SPECIFICATIONS

Rating: 8A, 300V

Center Spacing: 0.150" (3.81mm)

Wire Size: #16-26 AWG

Housing Material: UL rated 94V0 Thermoplastic

Contact Material: Brass Tin-Plated

Screw Size: M2.0 Zinc-Plated Steel

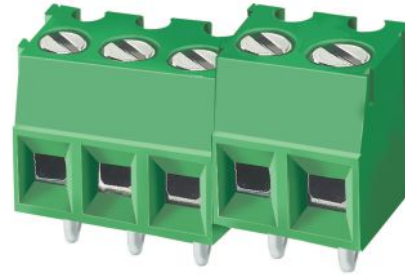
Operating Temperature: 105°C (221°F) max., -40°C (-40°F) min.

Torque Rating: 3.0 lb-in.

Recommended PCB Hole Diameters: 0.055" (1.40mm)

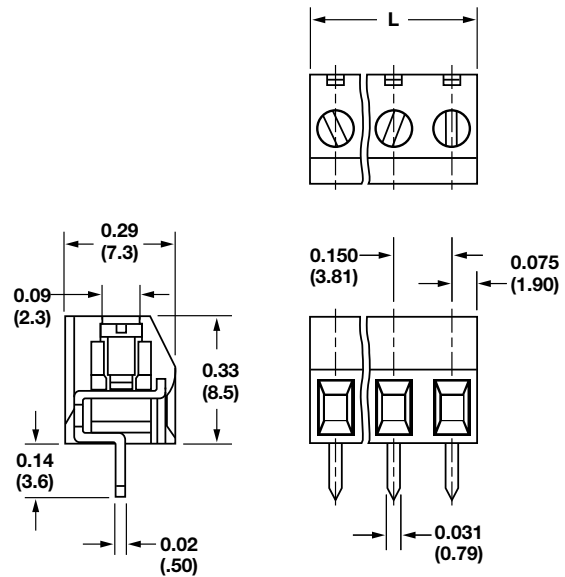
Construction: Modular design features dovetails for interlocking to achieve longer lengths

Agency Information: File E62622; CE Certified



EM350305

Dimensions - in (mm)



Poles	L (mm)	Poles	L (mm)
2	7.62	14	53.34
3	11.43	15	57.15
4	15.24	16	60.96
5	19.05	17	64.77
6	22.86	18	68.58
7	26.67	19	72.39
8	30.48	20	76.20
9	34.29	21	80.01
10	38.10	22	83.82
11	41.91	23	87.63
12	45.72	24	91.44
13	49.53		

To convert to inches, divide by 25.4

Part Numbering System

Series

of Positions



02 to 24

Terminal Blocks:
Single Row

EuroMag Series
Cage & Screw

Edge Connectors,
One-Sided Boards

Compliance
References