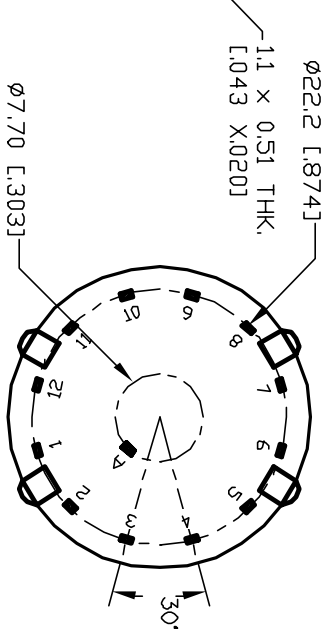
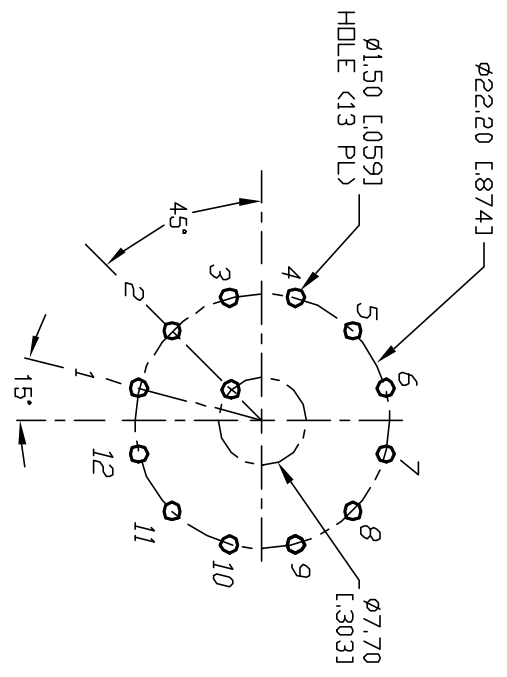
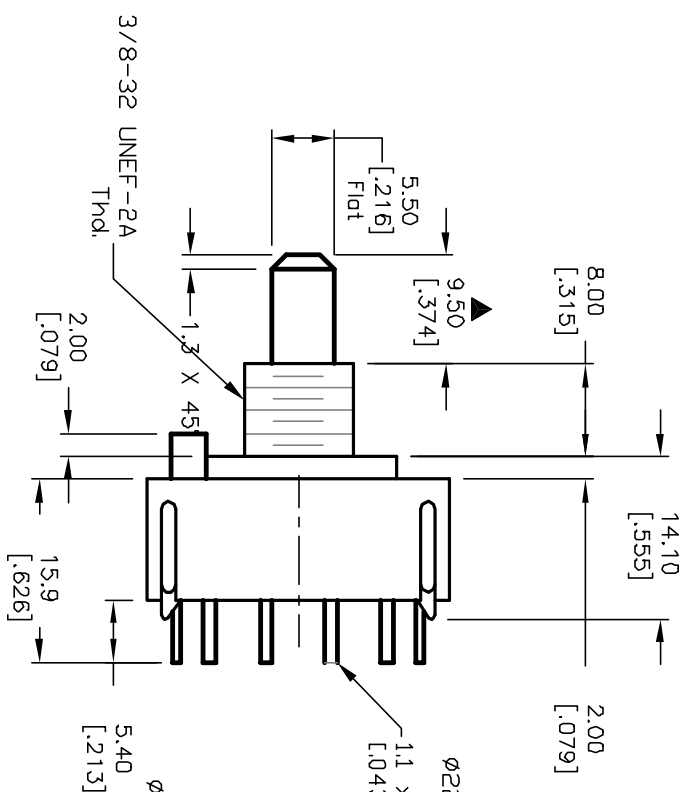
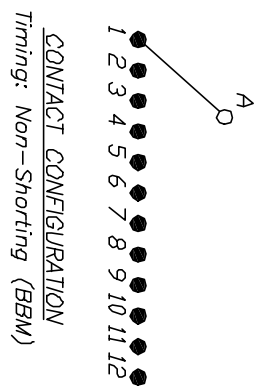
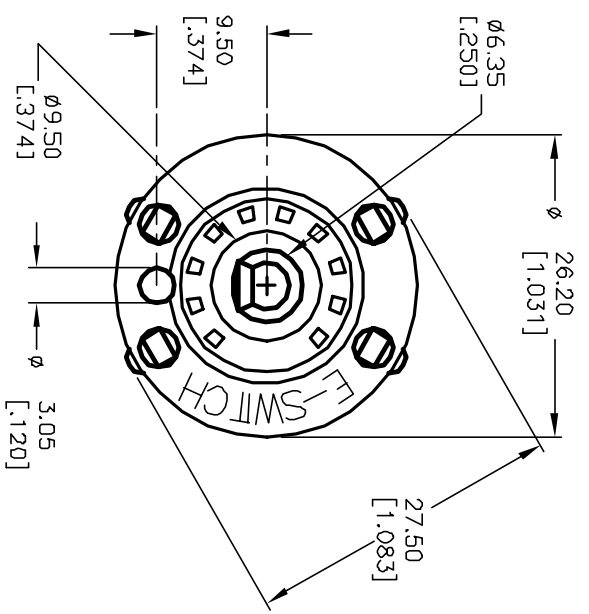


- NOTES:
1. ALL DIMENSION IN MM [INCH]
 2. GENERAL TOLERANCE: X.X=±0.4
X.XX=±0.25
 3. TERM. NOS. FOR REF. ONLY
 4. CONTACT RATING SWITCHING: 150mA, 250V AC/DC
350mA, 110V AC/DC
 5. CONTACT RATING (NON-SWITCHING) 5A
 6. OPERATING FORCE: 425±100 CM/STANDARD
 7. OPERATING TEMP: -30° to 85°C
 8. CIRCUIT SP: 12 POSITIONS, 30° INDEX, NO STOPS
 9. DIELECTRIC STRENGTH 1000V RMS min. @ SEA LEVEL
 10. DESIGNATE MAJOR DIMENSIONS
 11. LOCK NUT AND WASHER NOT SHOWN.



B	12220	REVISED PART DESCRIPTION	6/11/02	CJB
A	11301	RELEASED FOR PRODUCTION	3/13/01	CJB
REV.	ECN No.	DESCRIPTION	DATE	CHKD

TITLE	SCALE	DATE	DR	DWG	REV
KC-10-A-(9.5mm) 01-N-P-S	1.5:1	3/13/01	CJB	G527521	B

E-SWITCH®

THE INFORMATION CONTAINED IN THIS DOCUMENT IS PROPRIETARY TO E-SWITCH AND IS NOT TO BE COPIED OR TRANSFERRED