

DRAWING MADE IN THIRD ANGLE PROJECTION

3

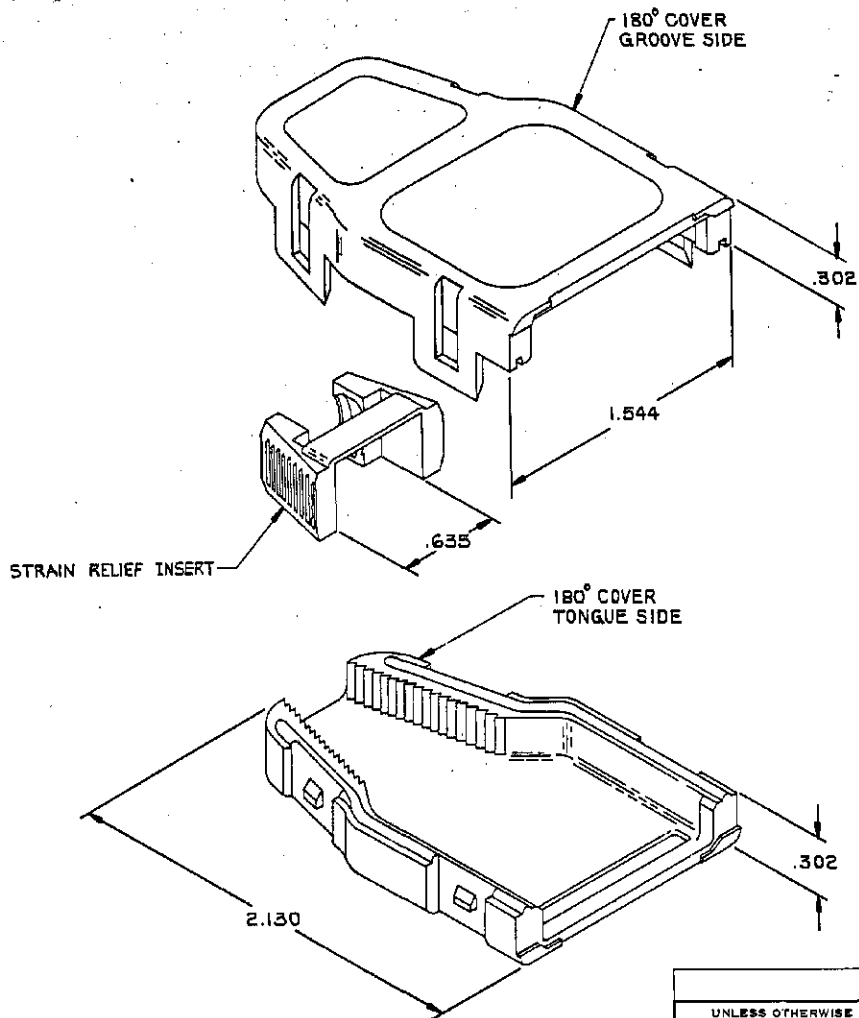
2

1

LOG DIST
GP 1 00

THIS DRAWING IS UNPUBLISHED. RELEASED FOR PUBLICATION .19
 © COPYRIGHT 19 BY AMP INCORPORATED, HARRISBURG, PA. ALL INTERNATIONAL RIGHTS
 RESERVED. AMP PRODUCTS MAY BE COVERED BY U.S. AND FOREIGN PATENTS AND/OR PATENTS PENDING.

REVISIONS					
#	F	ZONE/LTR	DESCRIPTION	DATE	APPROVED
		C	REVISED PER EC 0S11-0216-03	08SEP04	JG



1. ALL DIMENSIONS SHOWN ARE MAXIMUM UNLESS OTHERWISE SPECIFIED.
2. MATERIAL: COVERS-POLYPHENYLENE OXIDE, BLACK. STRAIN RELIEF-POLYPROPYLENE, BLACK.
3. CABLE RANGE: 250-500 DIA.
4. THIS KIT SHIPPED NOT ASSEMBLED.

554944

POLY BAG	554944-1
PACKAGED	PART NO

UNLESS OTHERWISE SPECIFIED DIMENSIONS ARE IN INCHES. TOLERANCES ON: DECIMALS ± .010 ANGLES ± .5°	CONTRACT NO	AMP INCORPORATED Harrisburg, Pa. 17106	
	DR <i>E. Gentry</i> 3/11/86	NAME COVER KIT, 180°, 24 POSITION, SHIELDED CHAMP	
	CHK <i>E. For</i> 3-20-86		
	MATERIAL △	APPD <i>B. Williams</i> 5/27/86	SIZE C
FINISH	APPD <i>G.S. Williams</i> 5-27-86	DRAWING NO 554944	
	DEGN APPD	SCALE 2:1	
	OTHER APPD	SHEET 1 OF 1	