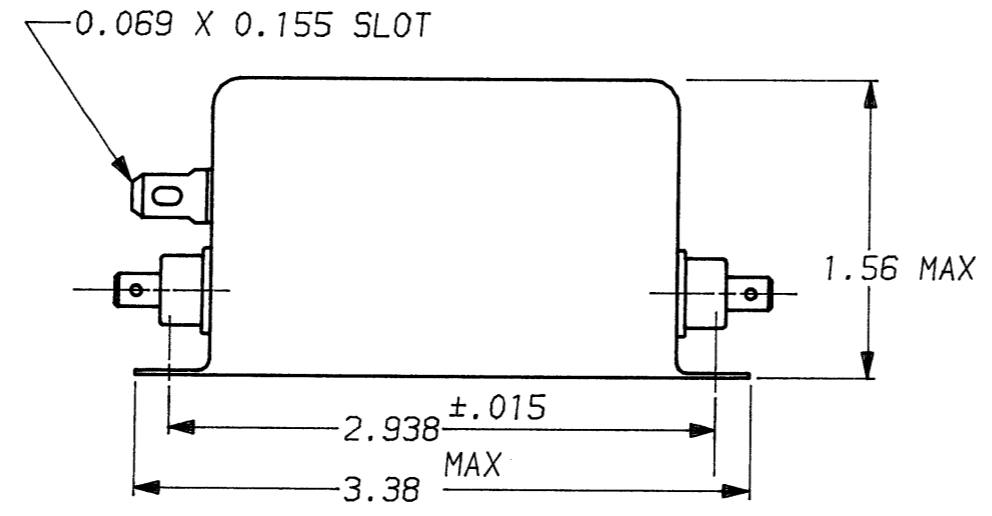
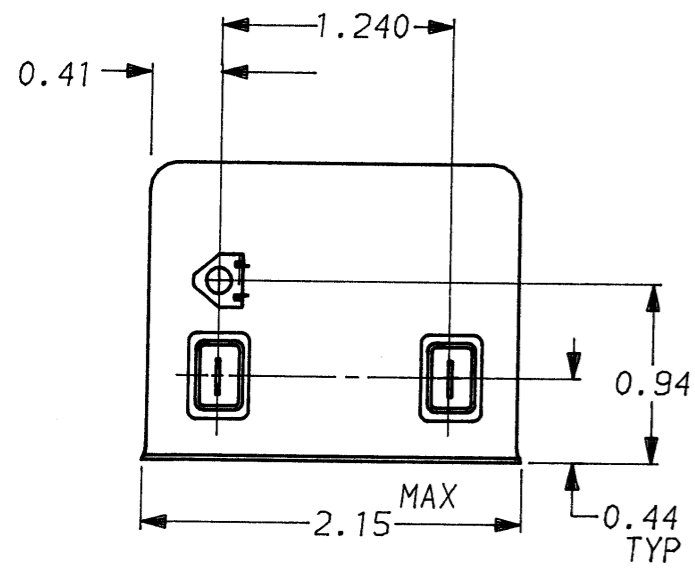
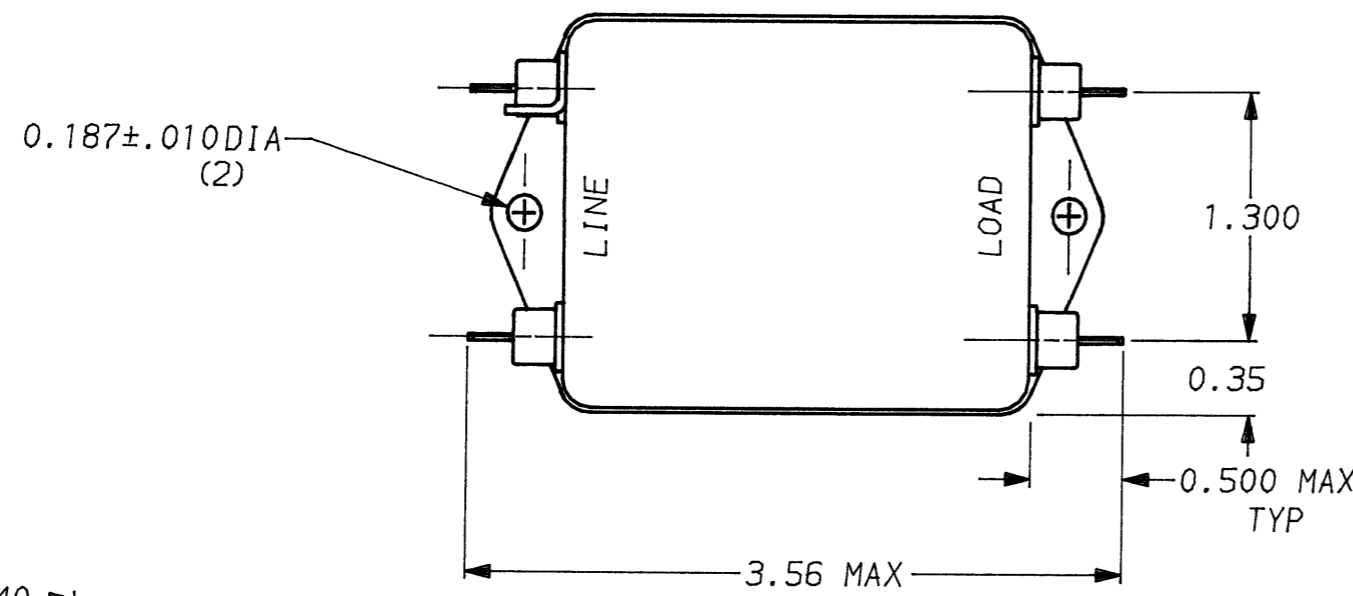


DESCRIPTION	APPROVED BY	DATE	REV
	C. Westerbe	10-15-92	4
ECO-09-026495	AEG	11DEC09	5



**SAFETY ORGANIZATION(S):**  
 THIS FILTER HAS BEEN FORMALLY RECOGNIZED, CERTIFIED OR APPROVED BY THE LISTED AGENCY. THEREFORE, ALL TEST/REQUIREMENTS SPECIFIED IN THE LATEST REVISION OF THE FOLLOWING AGENCY STANDARDS HAVE BEEN MET:

UL RECOGNIZED  
 CSA CERTIFIED  
 VDE APPROVED

**OPERATING SPECIFICATIONS:**  
**LINE VOLTAGE/CURRENT:** 6 AMP., 120/250 VAC  
 5 AMP/40°C, 250VAC  
**LINE FREQUENCY:** 50-60Hz  
**MAX. LEAKAGE CURRENT, EACH LINE TO GROUND:** 1.25mA @ 120V 60Hz  
 2.10mA @ 250V 50Hz  
**OPERATING AMBIENT TEMP. RANGE:** -10°C TO +40°C @ RATED CURRENT, I<sub>r</sub>

IN AN AMBIENT, T<sub>a</sub>, HIGHER THAN 40°C, THE MAXIMUM OPERATING CURRENT, I<sub>o</sub>, IS AS FOLLOWS:

UL 1283  
 CSA 22.2, NO.0,0.4,8  
 VDE 565-3

$I_o = I_r \sqrt{\frac{85-T_a}{45}}$

**RELIABILITY SPECIFICATIONS:**  
**STORAGE TEMPERATURE:** -25°C TO +85°C  
**HUMIDITY:** 21 DAYS @ 40°C 95% RH  
**CURRENT OVERLOAD TEST:** 6 TIMES RATED CURRENT FOR 8 SECONDS

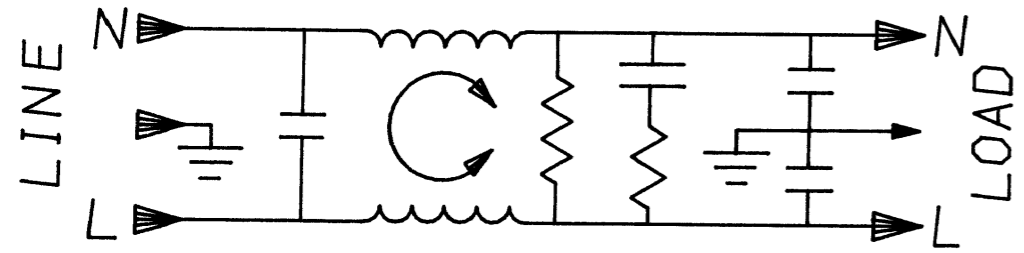
**TEST SPECIFICATIONS:**  
**INDUCTANCE:** 3.45mH NOMINAL  
**CAPACITANCE: (MEASURED @ 1 KHz, 0.25 VAC MAX., 25°C ±1°C)**  
 LINE TO GROUND: .015µF ±20%  
 LINE TO LINE: .57µF ±20%  
**DISCHARGE RESISTOR:** 560KΩ  
**LINE/GROUND AND LINE/LINE INSULATION RESISTANCE (W/O DISCHARGE RESISTOR):** 6000 MΩ (MIN) AT 100 VDC 20°C AND 50% RH

**RECOMMENDED RECEIVING INSPECTION HIPOT:**  
 LINES TO GROUND: 2250 VDC FOR 1 MINUTE  
 LINE TO LINE: 1450 VDC FOR 1 MINUTE

**FILTER APPROVAL:**  
 THE BEST WAY TO SELECT AND QUALIFY A FILTER IS FOR YOUR ENGINEERING TO TEST THE UNIT IN YOUR EQUIPMENT.

**1 OBSOLETE PARTS: OBSOLETE CIS STREAMLINING PER D.RENAUD/D.SINISI**

4609051-1	OBSOLETE	1
6609051-1		



50Ω - 50Ω (MINIMUM) INSERTION LOSS											
FREQUENCY MHz	.01	.05	.07	.1	.15	.5	1	5	10	20	30
COMMON dB	4	18	21	25	30	56	55	53	53	45	45
DIFF. dB	4	7	7	26	39	67	75	68	60	55	55

TOLERANCE EXCEPT AS NOTED  
 DECIMAL: .XXX .XX .X ANGLES ± 1°  
 ENGLISH: ±.025  
 METRIC: ± —  
 MATERIAL: AS SUPPLIED



POWER LINE FILTER

This document is proprietary to CORCOM INC. and is not to be reproduced nor used for manufacturing purposes except on CORCOM's order or prior written consent.

FINISH:

SCALE	DATE	DRG. NO.	REV.
NTS	5-12-88	6VG1	5
DRW. BY	ORIGINATOR		
TDL	CW		